

A-2240-05: R-Series 5 Degree-of-Freedom Arm

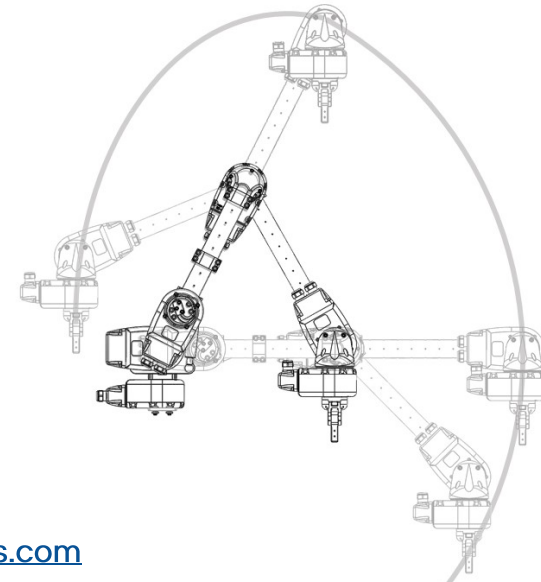
A fully integrated, collaborative, and rugged manipulation platform.



R-Series Actuators *Default Configuration*	HEBI Mounting Brackets and Connection Toolbox Included 2x R8-3 (Wrists) 3x R8-16 (Base, Shoulder, and Elbow)
Additional Accessories	1x HEBI Parallel Gripper Assembly 1x R8-9 Actuator (For Use As Gripper Spool) 1x Gas Spring (Required with Gripper)
Mechanical Features	IP67 (Dust-Tight and Temporary Submersion) T-Slot Extrusion Mounting (80/20®) Easy integration of additional components or sensors
Software	Joystick Control with the HEBI Mobile I/O App (iOS & Android) Example code in MATLAB, ROS, Python, and C

Weight (w/ Gripper Assembly)	5.25 kg
Max Reach	700 mm
Payload* @ Max Reach	2.0 Kg
Half Reach	350 mm
Payload* @ Half Reach	4.5 kg
Gripper Max Finger Torque (R8-9)	1.1 Nm
Gripper Max Finger Force (50mm from Pivot)	23 N
Parallel Gripper Stroke Length	82 mm
Payload calculated using default arm configuration with a gas spring Arm and Gripper configuration are customizable upon request.	

Workspace



Request a quote at www.hebirobotics.com