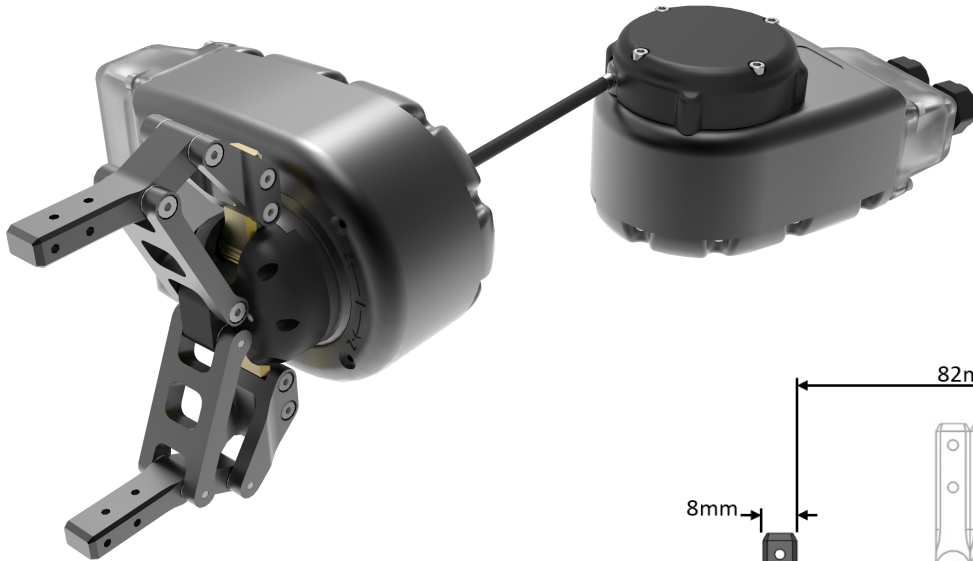


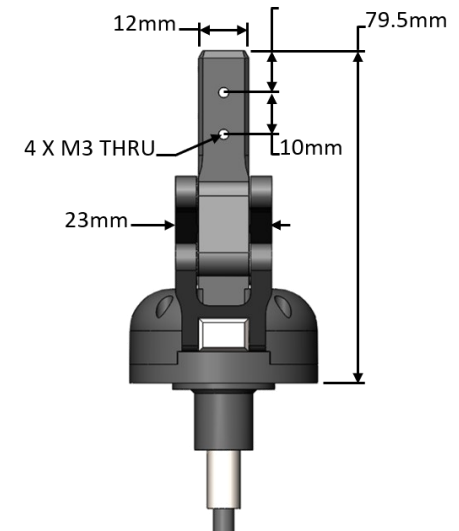
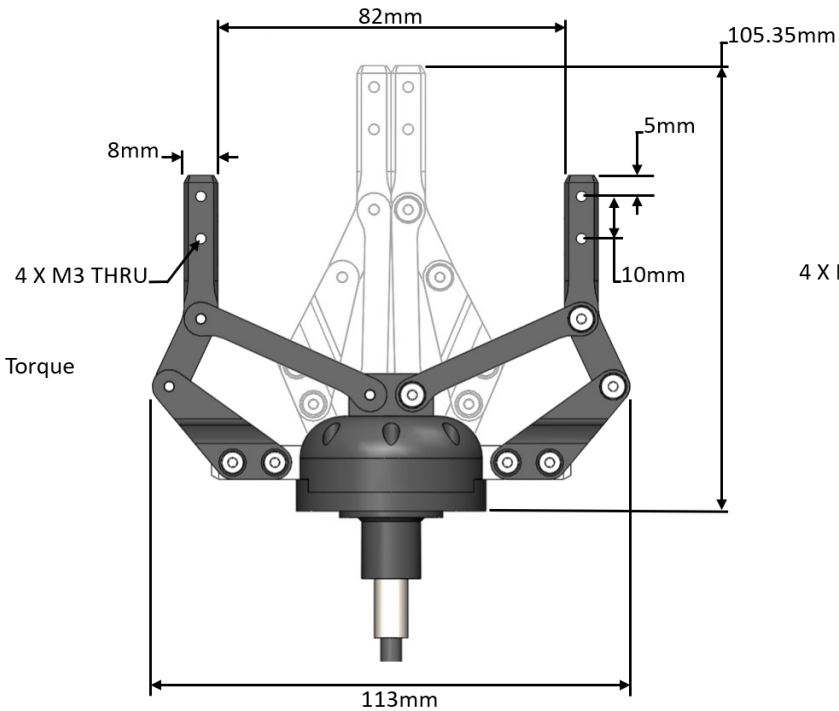
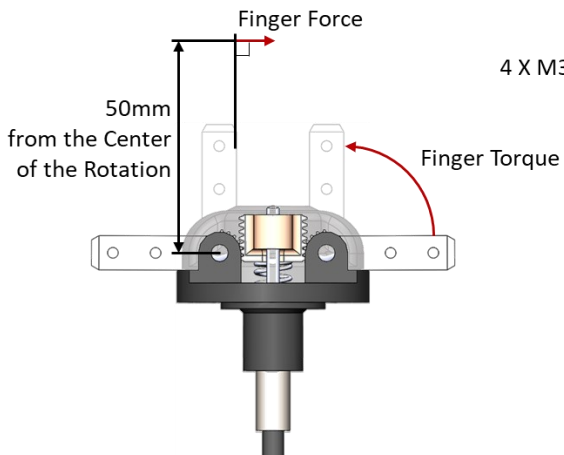
R- Series Gripper

Add-on to existing HEBI Kits.



Suggested Actuator →

Spool Module	Max Finger Torque	Max Finger Force at 50mm
R8-3	0.4 Nm	8 N
R8-9	1.1 Nm	23 N
R8-16	2.0 Nm	40 N
Values assume symmetric two-finger grasp		
End Effector Weight W/O Actuator: 0.22kg		



Request a quote at www.hebirobotics.com