

6

5

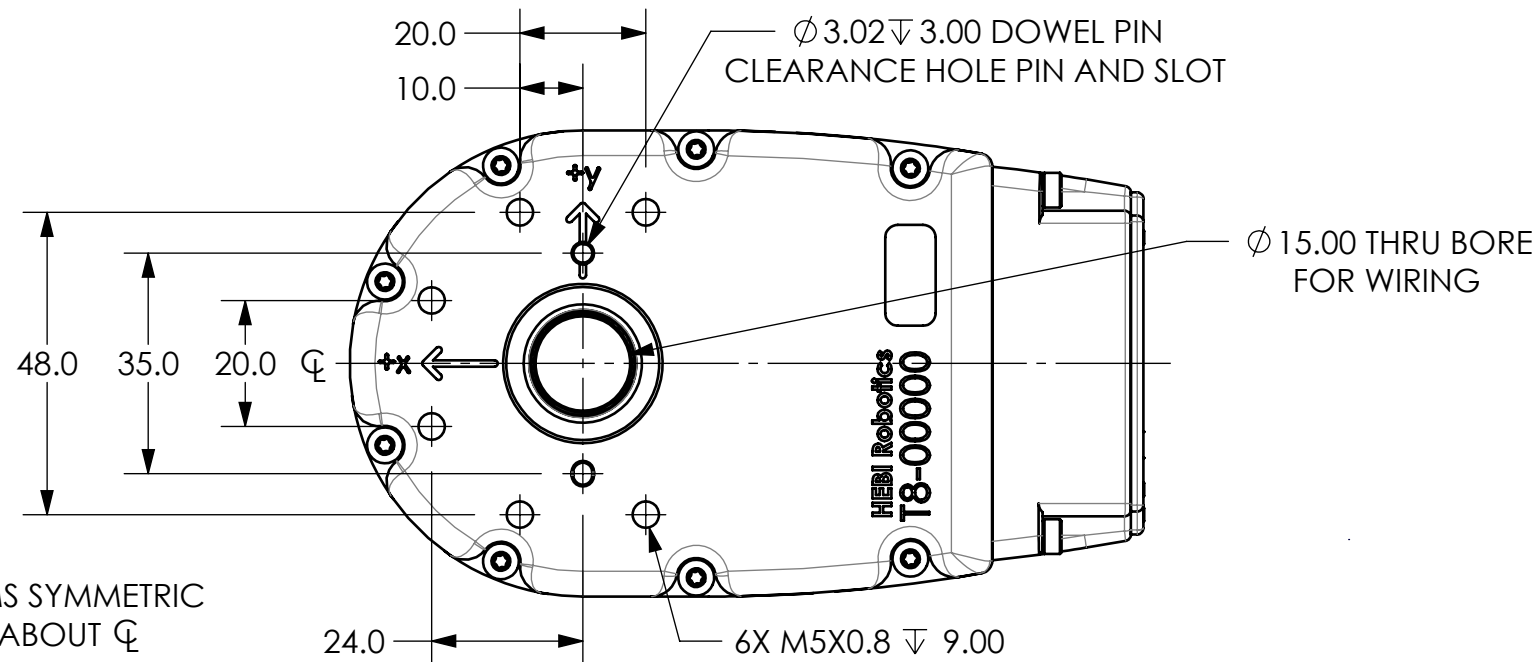
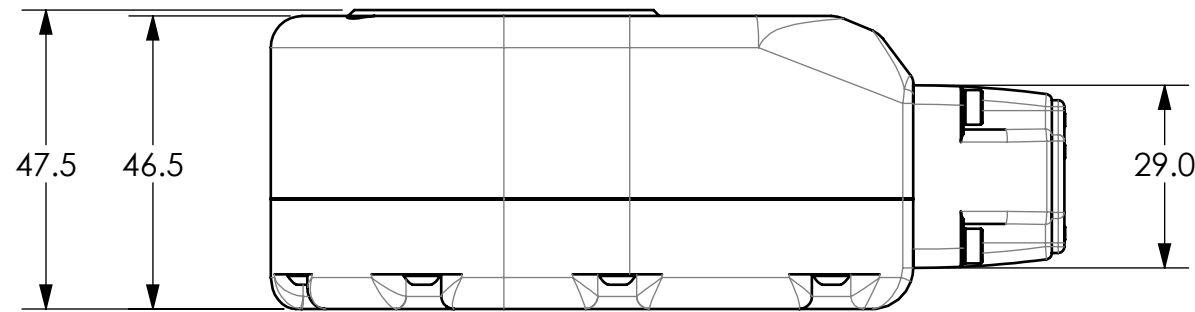
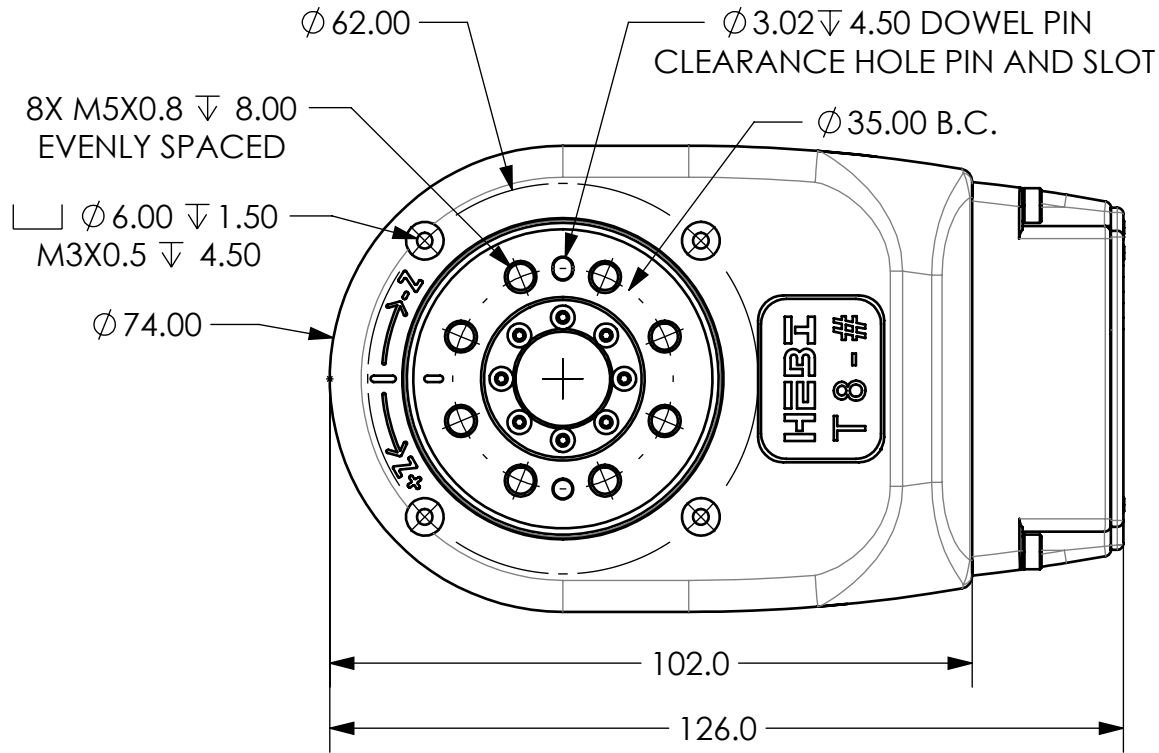
4

3

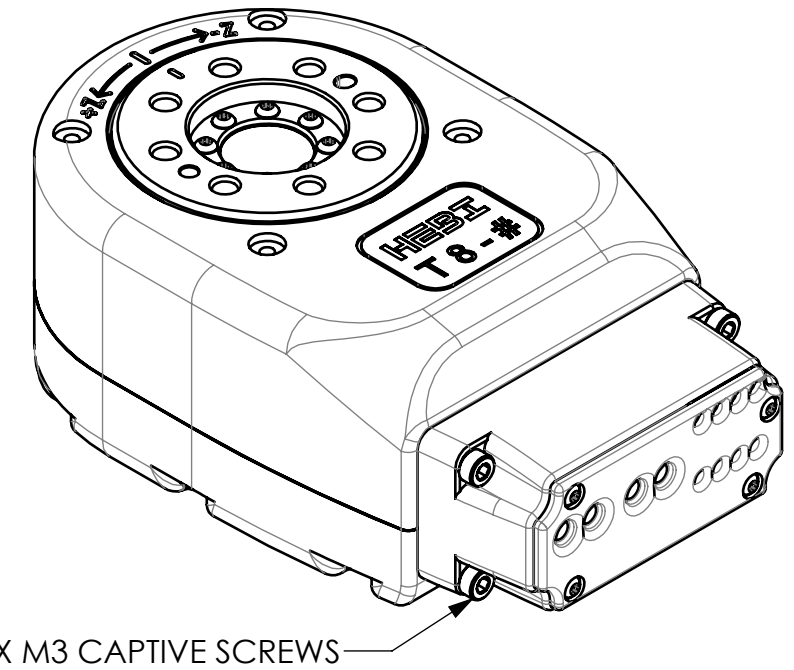
2

1

REVISIONS			
REV.	DESCRIPTION	DATE	APPROVED
A.01	INITIAL DRAFTING AND LAYOUT.	7 JUNE 2023	A WILLIG



CONNECTOR COVER



AUTHORIZATION		HEBI ROBOTICS		3577 Bigelow Blvd, Floor 3 Pittsburgh, PA 15213 engineering@hebirobotics.com	
DFTG:	A WILLIG	4 APR 2019			
DSGMR:	A WILLIG	MAR 2019	PROJECT: T-Series Actuator		
CHKR:			T8 Actuator Assembly		
ENGR:					
UNLESS OTHERWISE SPECIFIED DIMENSIONS ARE IN MM					
DO NOT SCALE DRAWING					
TOLERANCES:		X.X	$\pm .30$	REV	VER
		X.XX	$\pm .08$	B	T8-Dimensions
		ANGLES	$\pm 1.00^\circ$	A.01	
SCALE:		1:1.2	WEIGHT: 670 G 685 G 715 G2	SHEET	
FILE NAME: T8-Dimensions.SLDDRW					

THE INFORMATION CONTAINED IN THIS DRAWING IS THE SOLE PROPERTY OF HEBI ROBOTICS, INC. ANY REPRODUCTION IN PART OR WHOLE WITHOUT WRITTEN PERMISSION OF IS PROHIBITED.

6

5

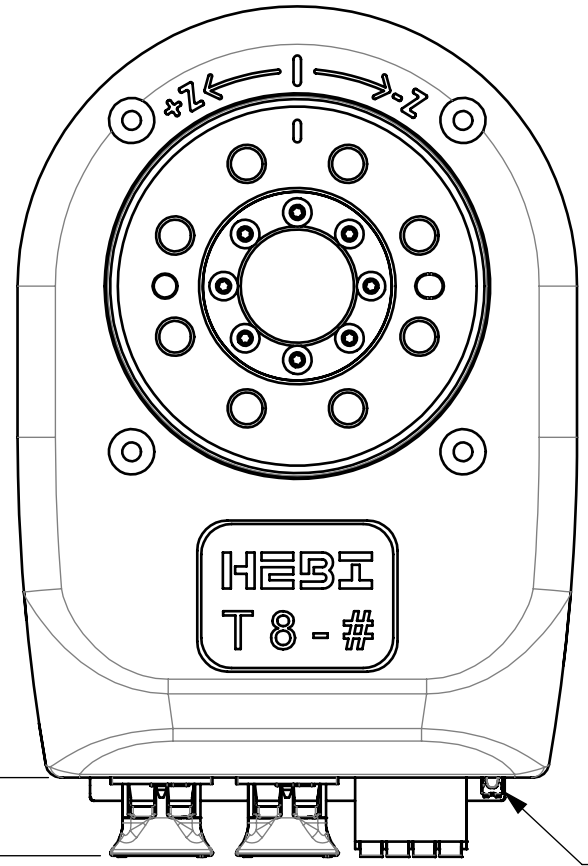
4

3

2

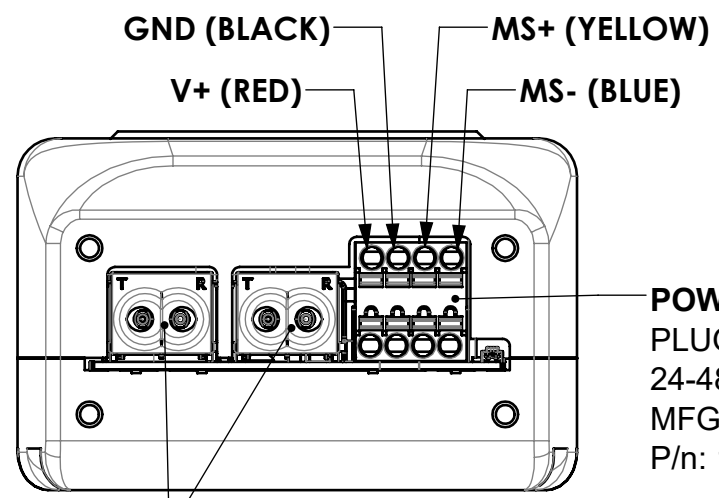
FILE NAME: T8-Dimensions.SLDDRW

ELECTRICAL CONNECTIONS



(10.3)

RESET BUTTON

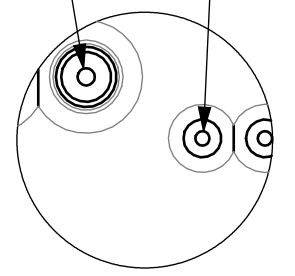
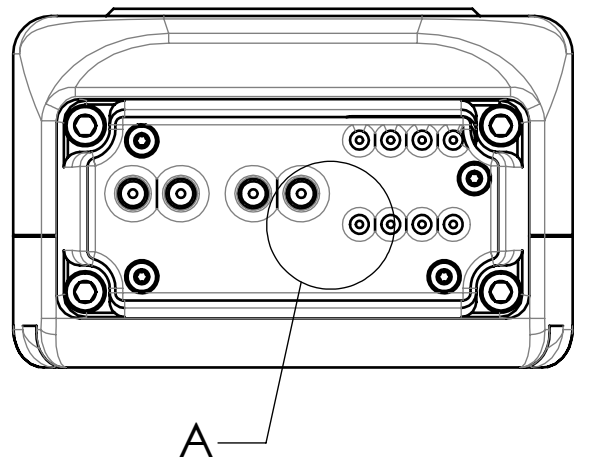


POWER CONNECTION
 PLUGABLE TERMINAL BLOCK
 24-48 VDC RECOMMENDED
 MFG: PHOENIX CONTACT
 P/n: 1772634

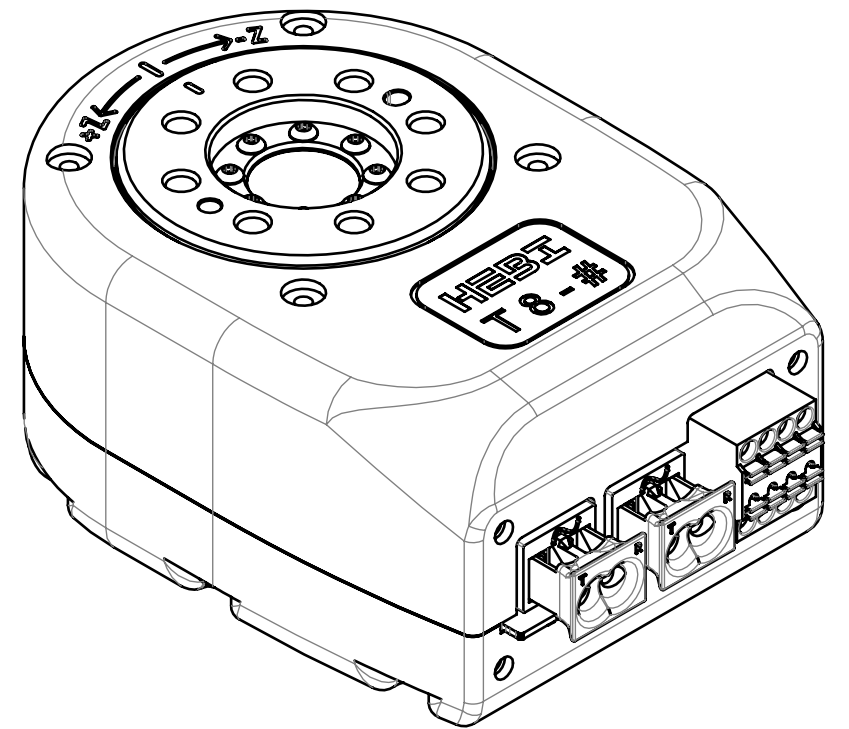
DATA CONNECTION
 2X PLASTIC OPTICAL FIBER (POF)
 100MBPS ETHERNET
 OPTOLOCK®

COMPATIBLE INSULATION RANGE (POWER):
 $\phi 1.27 - \phi 2.11$ mm [.05 - .083 in]

WIRE SEAL FOR 2.2MM PLASTIC OPTICAL FIBER



DETAIL A
 SCALE 2:1



THE INFORMATION CONTAINED IN THIS DRAWING IS THE SOLE PROPERTY OF HEBI ROBOTICS, INC. ANY REPRODUCTION IN PART OR WHOLE WITHOUT WRITTEN PERMISSION IS PROHIBITED.