

6

5

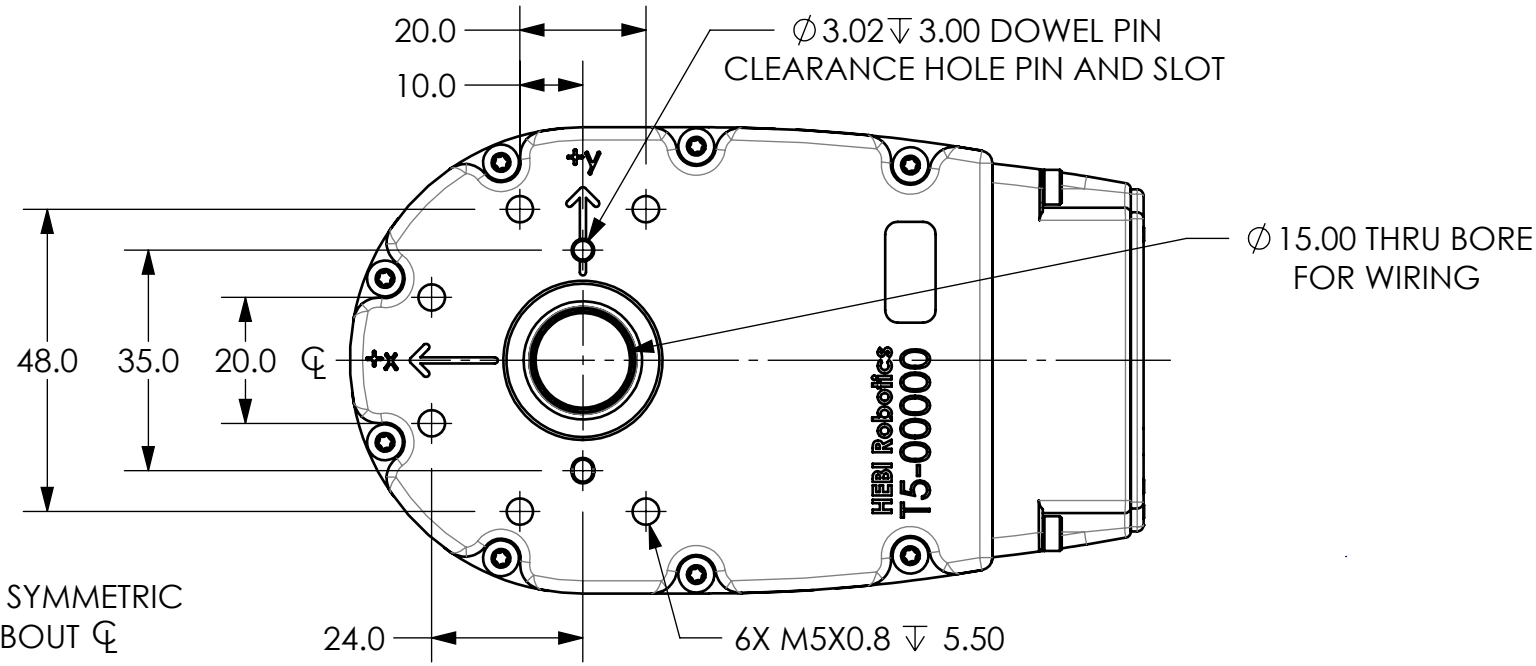
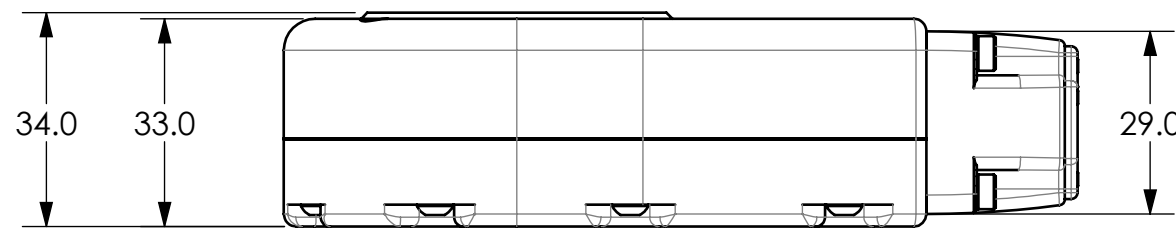
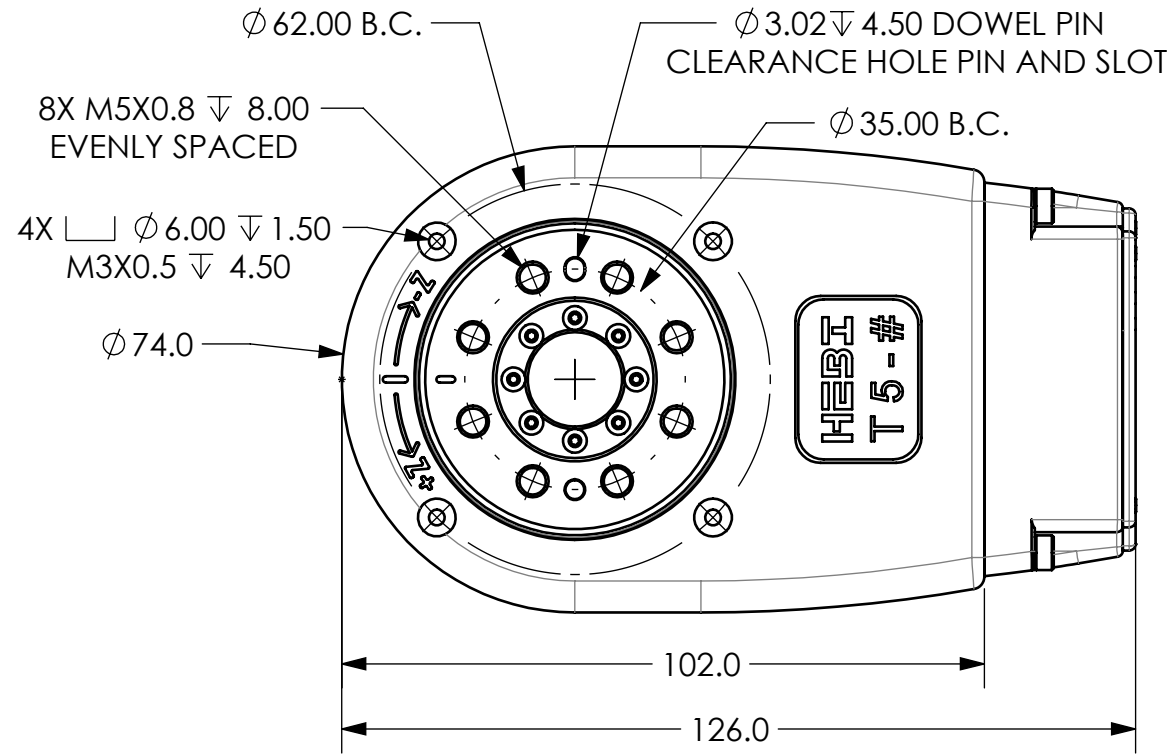
4

3

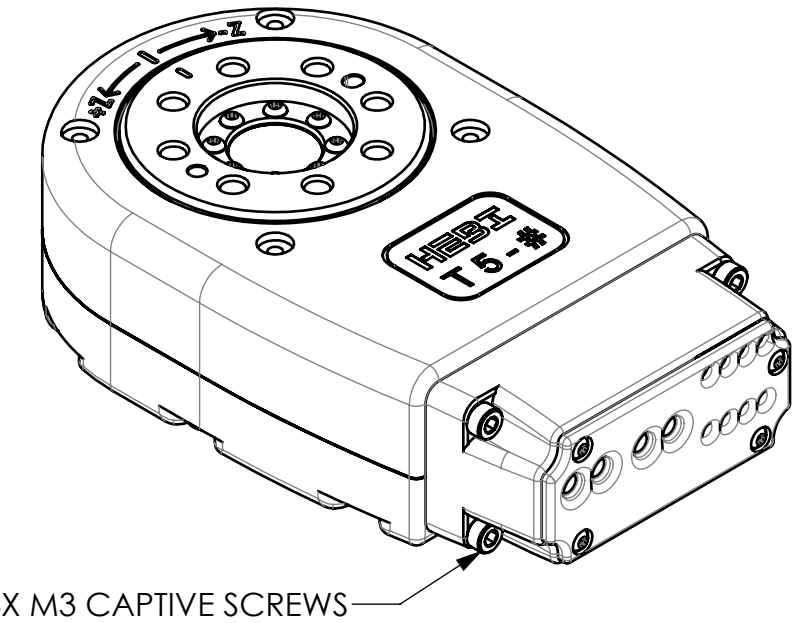
2

1

REVISIONS			
REV.	DESCRIPTION	DATE	APPROVED
A.01	INITIAL DRAFTING AND LAYOUT.	7 JUNE 2023	A WILLIG



### CONNECTOR COVER



THE INFORMATION CONTAINED IN THIS DRAWING IS THE SOLE PROPERTY OF HEBI ROBOTICS, INC. ANY REPRODUCTION IN PART OR WHOLE WITHOUT WRITTEN PERMISSION OF IS PROHIBITED.

AUTHORIZATION		3577 Bigelow Blvd, Floor 3 Pittsburgh, PA 15213 engineering@hebirobotics.com	PROJECT: T-Series Actuator	
DFTG: A WILLIG			T5 Actuator	
DSGMR: A WILLIG	MAY 2023		T5-Dimensions	
CHKR:			REV	VER
UNLESS OTHERWISE SPECIFIED DIMENSIONS ARE IN MM		SCALE: 1:1.2		WEIGHT: 670 G   685 G   715 G2
DO NOT SCALE DRAWING		T5-Dimensions		A.01
TOLERANCES: X.X $\pm .30$		SCALE: 1:1.2		WEIGHT: 670 G   685 G   715 G2
X.XX $\pm .08$		SCALE: 1:1.2		WEIGHT: 670 G   685 G   715 G2
ANGLES $\pm 1.00^\circ$		SCALE: 1:1.2		WEIGHT: 670 G   685 G   715 G2

FILE NAME: T5-Dimensions.SLDDRW

6

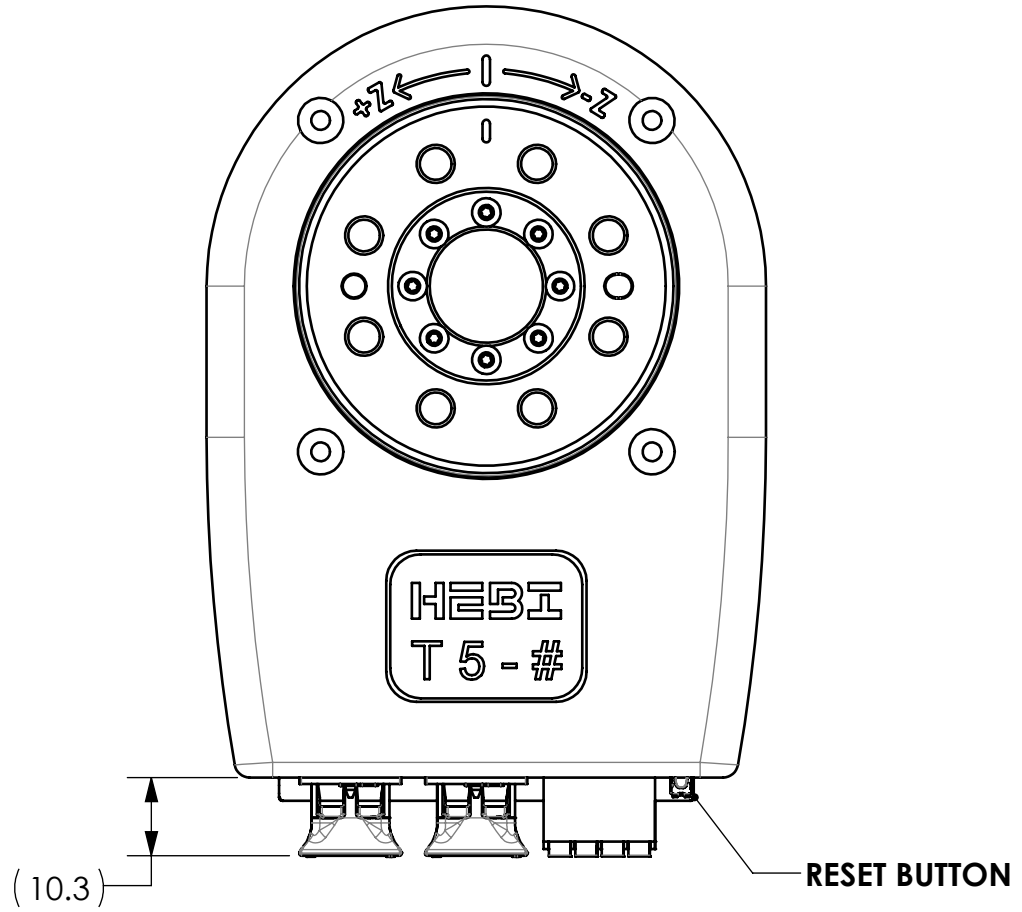
5

4

3

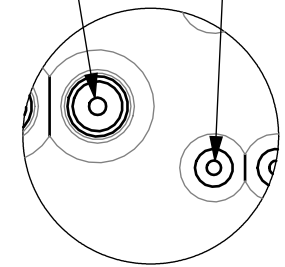
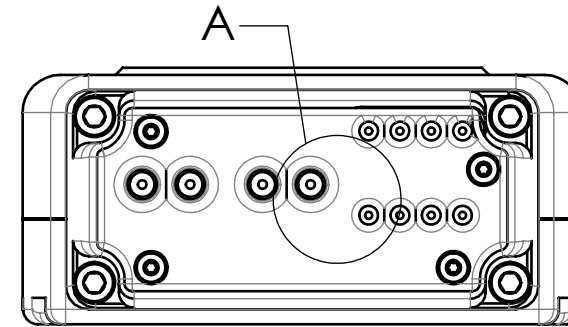
2

# ELECTRICAL CONNECTIONS

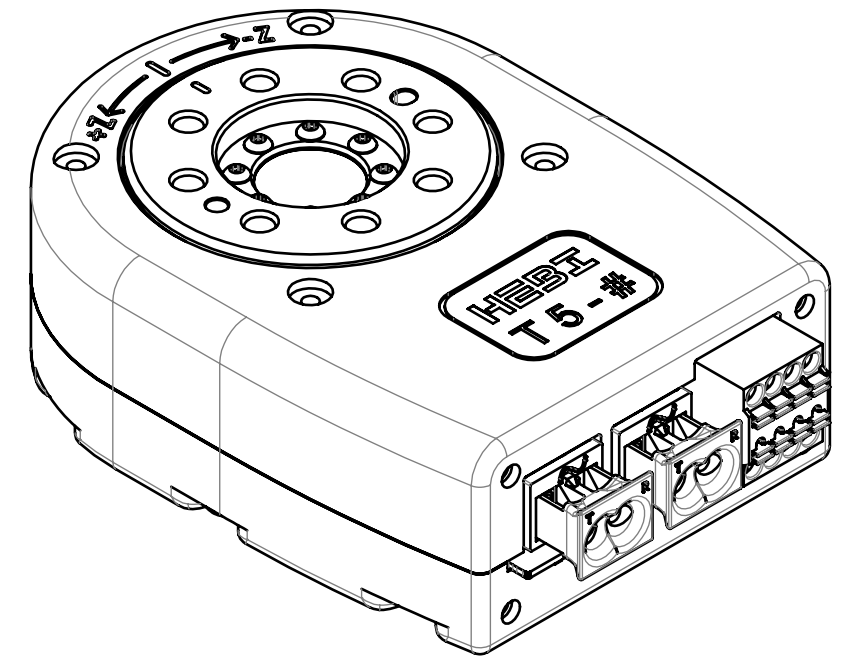
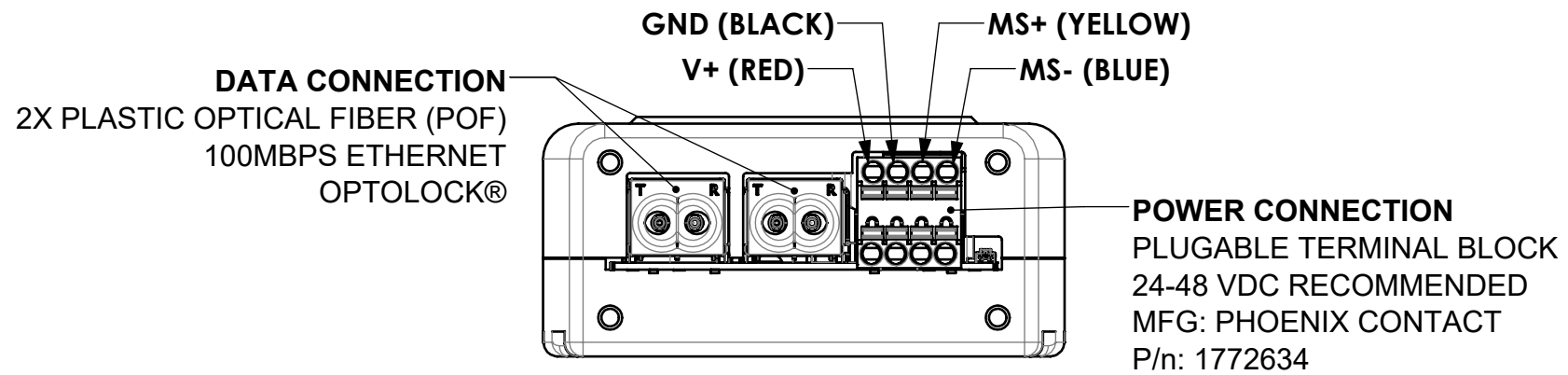


**COMPATIBLE INSULATION RANGE (POWER):**  
 $\phi 1.27 - \phi 2.11$  mm [ .05 - .083 in ]

**WIRE SEAL FOR 2.2MM PLASTIC OPTICAL FIBER**



DETAIL A  
SCALE 2:1



THE INFORMATION CONTAINED IN THIS DRAWING IS THE SOLE PROPERTY OF HEBI ROBOTICS, INC. ANY REPRODUCTION IN PART OR WHOLE WITHOUT WRITTEN PERMISSION IS PROHIBITED.

	3577 Bigelow Blvd, Floor 3 Pittsburgh, PA 15213 engineering@hebirobotics.com		SIZE <b>B</b>	<b>T5-Dimensions</b>	REV <b>A.01</b>
	SCALE: <b>1:1</b>	SHEET <b>2</b> OF <b>2</b>	VER <b>2</b>		