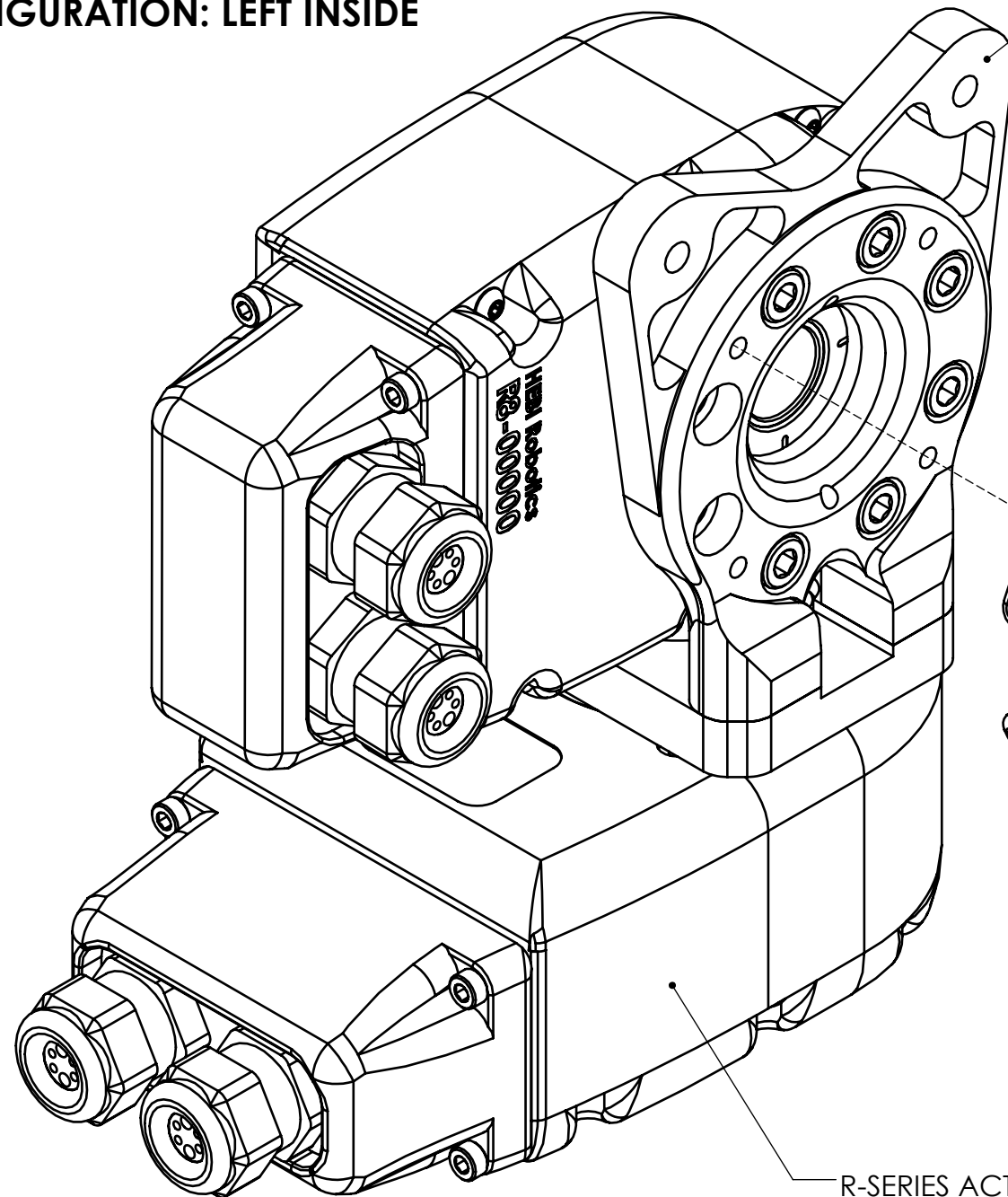


**R-SERIES ACTUATOR
BRACKET: A-2222-01
CONFIGURATION: LEFT INSIDE**

REVISIONS			
REV.	DESCRIPTION	DATE	APPROVED
A.01	INITIAL DRAFTING AND LAYOUT.	13 MAY 2019	H KIM



A-2222-01
SOLD SEPARATELY

R-SERIES ACTUATOR
SOLD SEPARATELY

NOTE: TOTAL WEIGHT EXCLUDES R-SERIES ACTUATOR AND BRACKET
(SEE CONFIGURATION ON SHEET 9)

ITEM NO.	PART NUMBER	DESCRIPTION	left_inside/QTY.
1	PM-2527-01	Heavy 90° Bracket Cover	1
2	PP-2346-14	M3 Captive SHCS, 14mm Length, 316 Stainless	4

AUTHORIZATION

DFTG:	H KIM	11 APR 2019
DSGNR:	H KIM	11 APR 2019
CHKR:		
ENGR:		

HEBI ROBOTICS, INC.

91 43rd St, Suite 200
Pittsburgh, PA 15201

PROJECT: R-Series Accessories

Heavy 90° Bracket Cover

UNLESS OTHERWISE SPECIFIED
DIMENSIONS ARE IN MM
DO NOT SCALE DRAWING

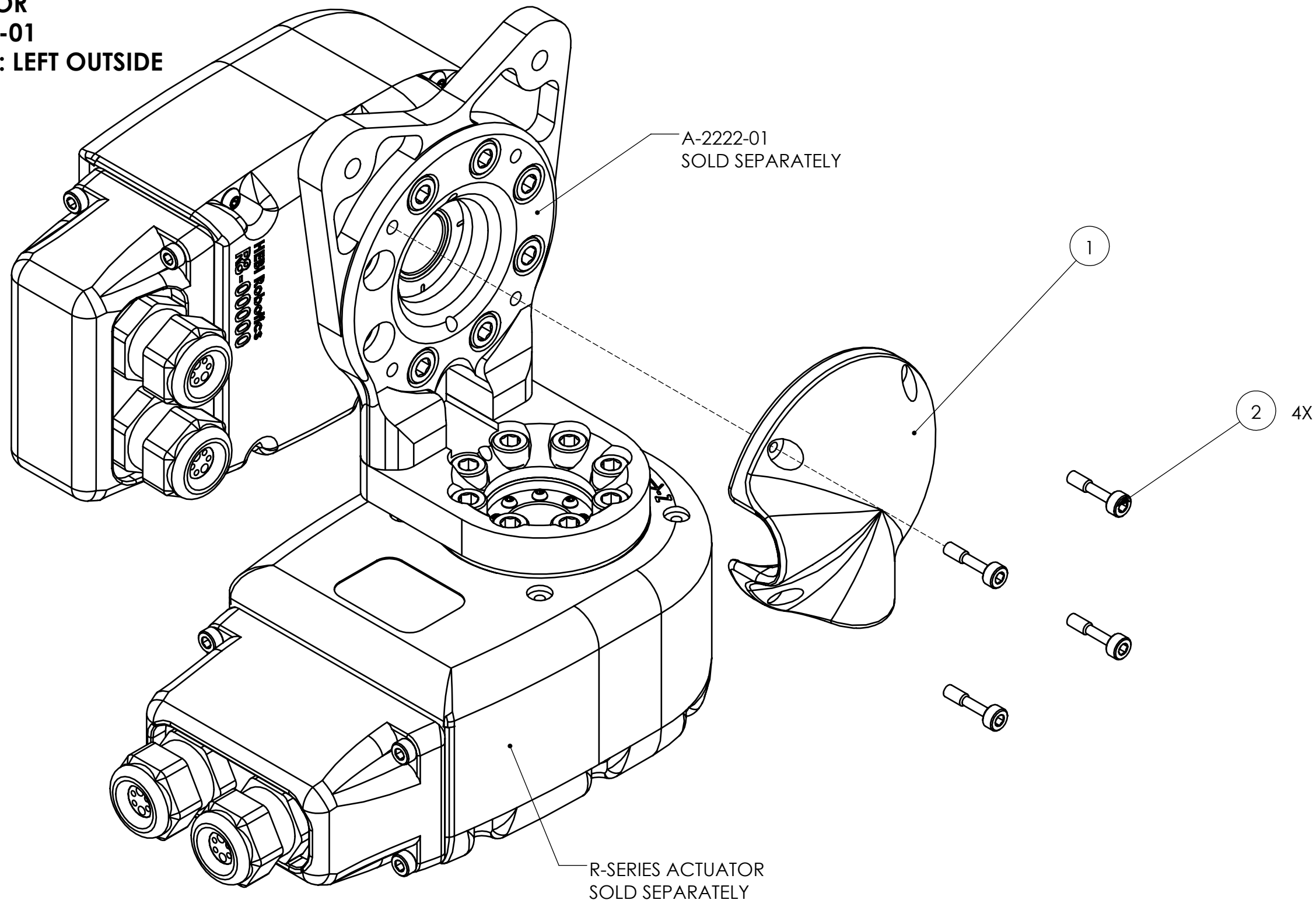
TOLERANCES:	X.X	±.30
	X.XX	±.08
	ANGLES	±1.00°

SIZE	A-2232-01	REV	VER
B		A.01	

SCALE:	1:1	WEIGHT:	0.00 G	SHEET	1 OF 17
--------	-----	---------	--------	-------	---------

THE INFORMATION CONTAINED IN THIS DRAWING IS THE SOLE PROPERTY OF
HEBI ROBOTICS, INC. ANY REPRODUCTION IN PART OR WHOLE WITHOUT
WRITTEN PERMISSION OF IS PROHIBITED.

**R-SERIES ACTUATOR
BRACKET: A-2222-01
CONFIGURATION: LEFT OUTSIDE**



ITEM NO.	PART NUMBER	DESCRIPTION	left_outside/QTY.
1	PM-2527-01	Heavy 90° Bracket Cover	1
2	PP-2346-14	M3 Captive SHCS, 14mm Length, 316 Stainless	4

HEBI ROBOTICS, INC.
91 43rd Street, Suite 200
Pittsburgh, PA 15201

SIZE
B
SCALE:
1:1

A-2232-01

REV
A.01

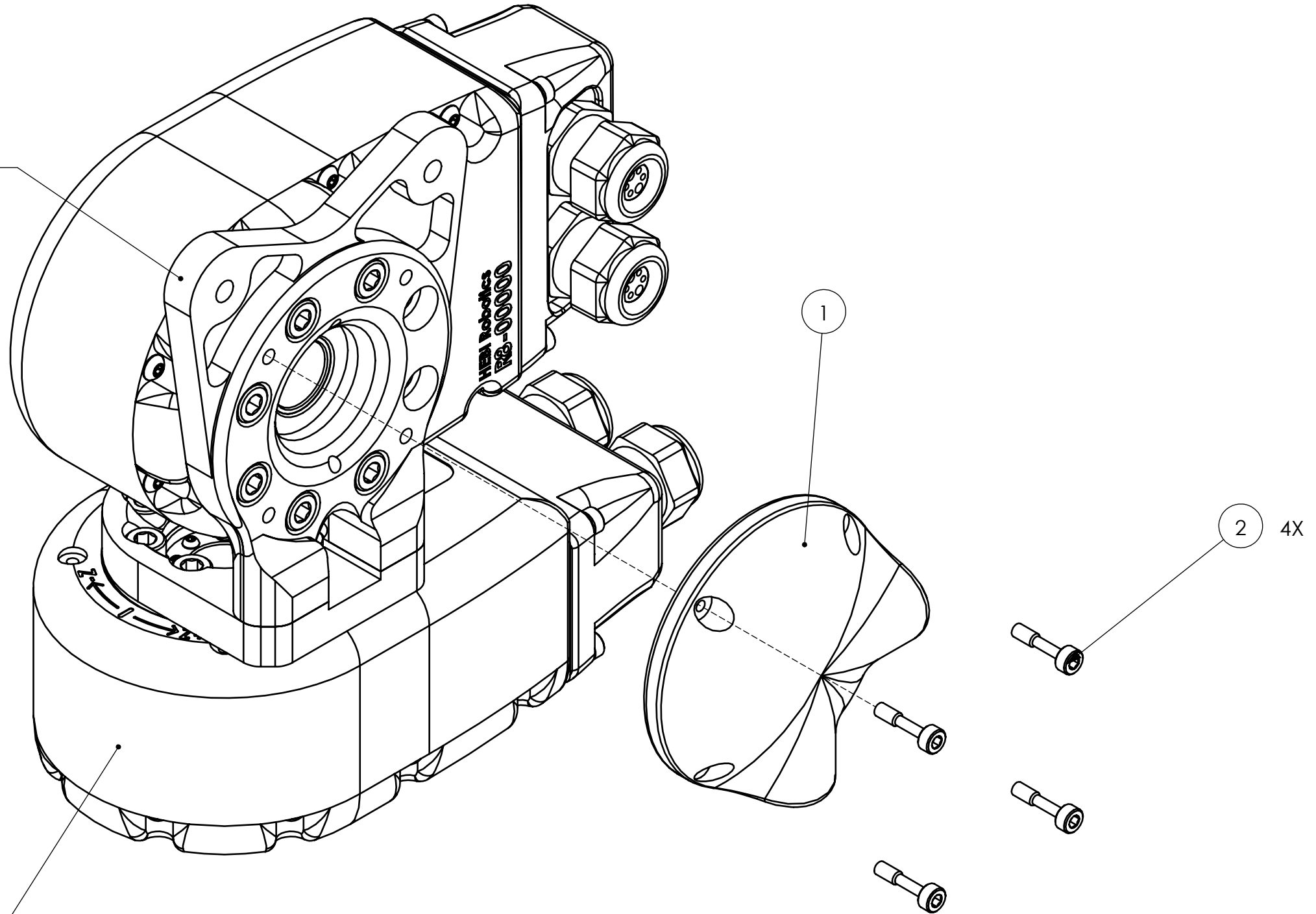
SHEET
2 OF 17

THE INFORMATION CONTAINED IN THIS DRAWING IS THE SOLE PROPERTY OF HEBI ROBOTICS, INC. ANY REPRODUCTION IN PART OR WHOLE WITHOUT WRITTEN PERMISSION IS PROHIBITED.

**R-SERIES ACTUATOR
BRACKET: A-2222-01
CONFIGURATION: RIGHT INSIDE**

A-2222-01
SOLD SEPARATELY

R-SERIES ACTUATOR
SOLD SEPARATELY



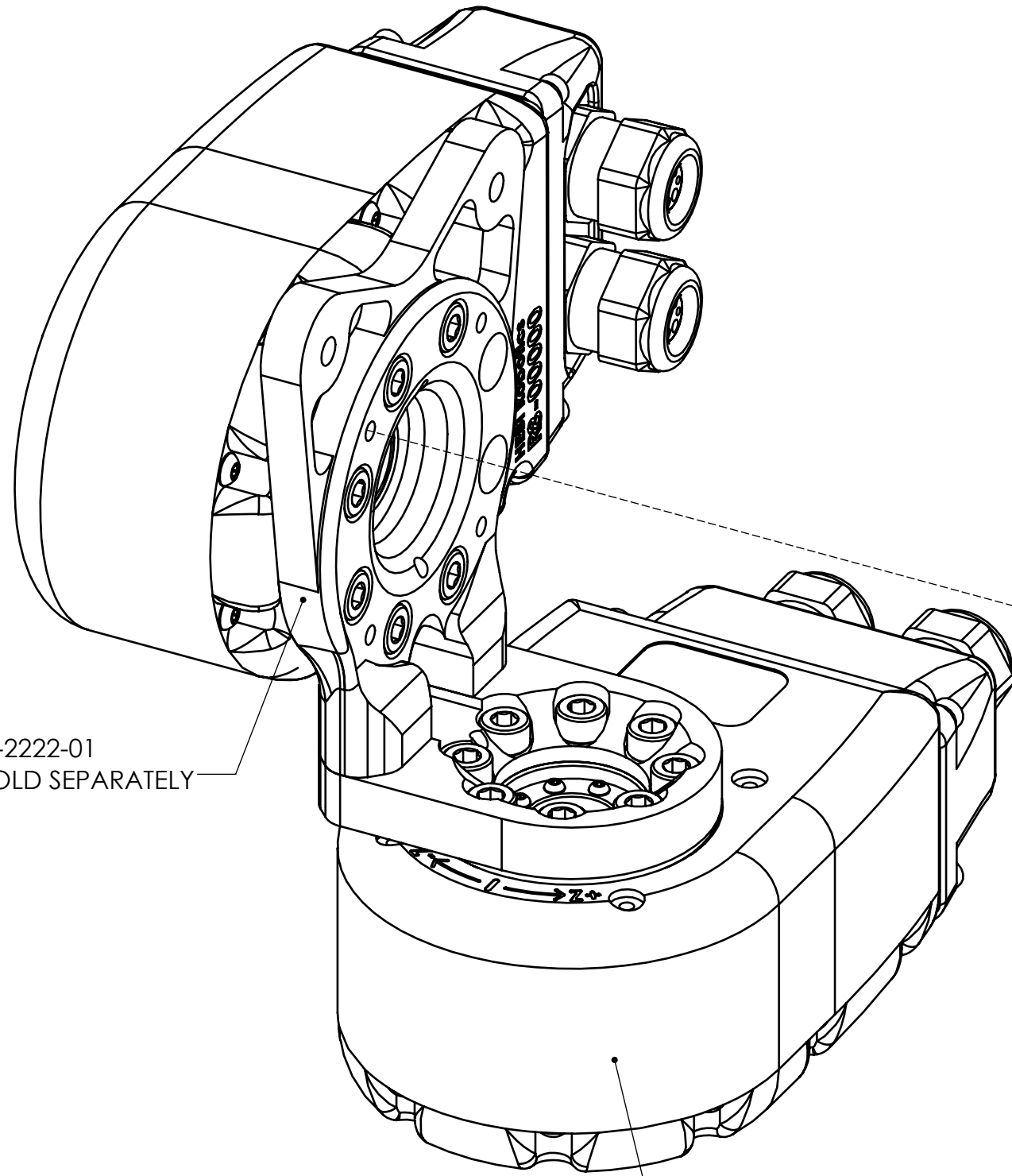
ITEM NO.	PART NUMBER	DESCRIPTION	left_outside/QTY.
1	PM-2527-01	Heavy 90° Bracket Cover	1
2	PP-2346-14	M3 Captive SHCS, 14mm Length, 316 Stainless	4

HEBI ROBOTICS, INC.
91 43rd Street, Suite 200
Pittsburgh, PA 15201

SIZE B	A-2232-01	REV A.01
SCALE: 1:1	SHEET 3	OF 17

THE INFORMATION CONTAINED IN THIS DRAWING IS THE SOLE PROPERTY OF HEBI ROBOTICS, INC. ANY REPRODUCTION IN PART OR WHOLE WITHOUT WRITTEN PERMISSION IS PROHIBITED.

**R-SERIES ACTUATOR
BRACKET: A-2222-01
CONFIGURATION: RIGHT OUTSIDE**



A-2222-01
SOLD SEPARATELY

R-SERIES ACTUATOR
SOLD SEPARATELY

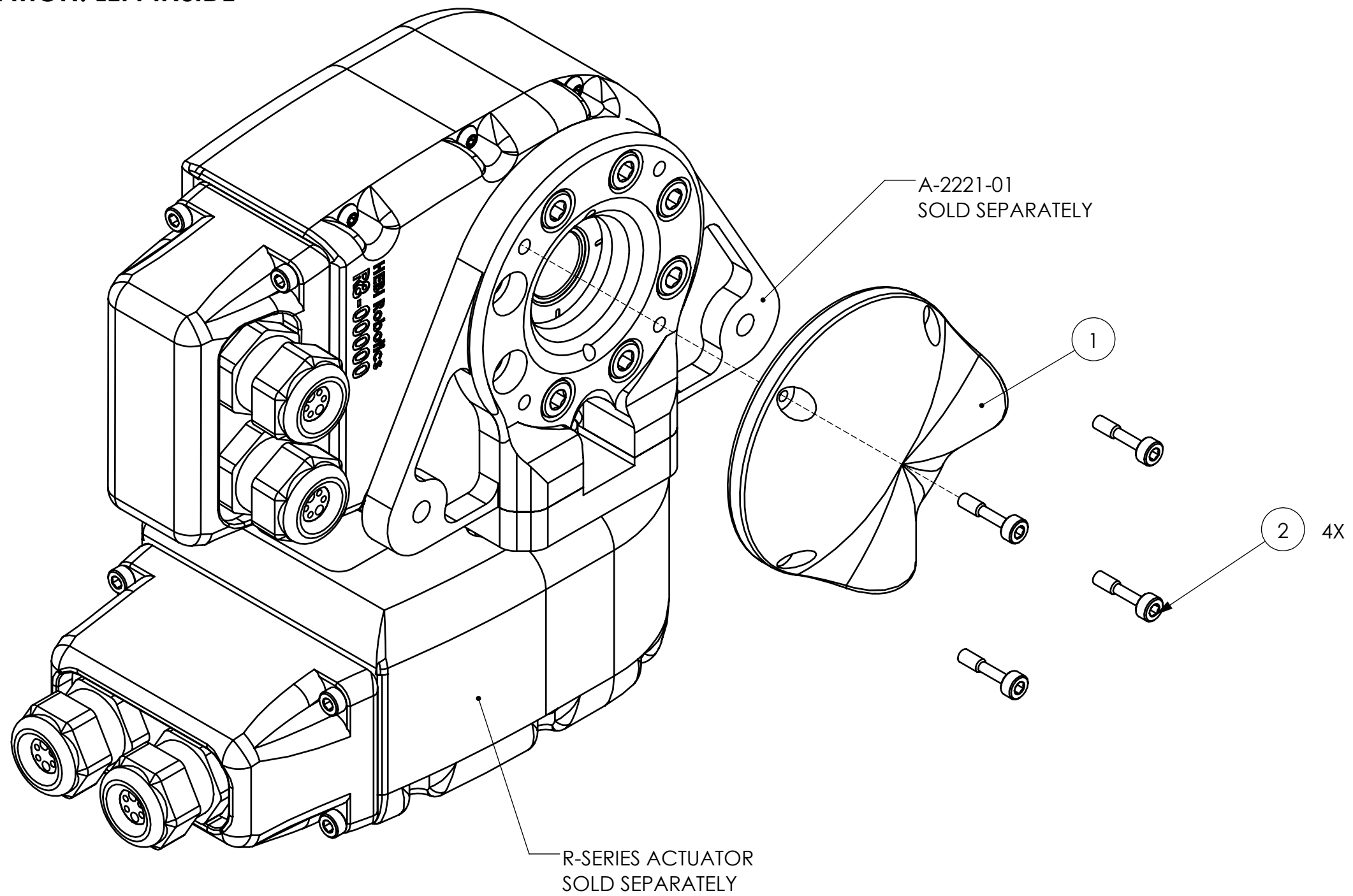
ITEM NO.	PART NUMBER	DESCRIPTION	left_outside/QTY.
1	PM-2527-01	Heavy 90° Bracket Cover	1
2	PP-2346-14	M3 Captive SHCS, 14mm Length, 316 Stainless	4

HEBI ROBOTICS, INC.
91 43rd Street, Suite 200
Pittsburgh, PA 15201

SIZE B	A-2232-01	REV A.01
SCALE: 1:1	SHEET 4 OF 17	

THE INFORMATION CONTAINED IN THIS DRAWING IS THE SOLE PROPERTY OF HEBI ROBOTICS, INC. ANY REPRODUCTION IN PART OR WHOLE WITHOUT WRITTEN PERMISSION IS PROHIBITED.

**R-SERIES ACTUATOR
BRACKET: A-2221-01
CONFIGURATION: LEFT INSIDE**



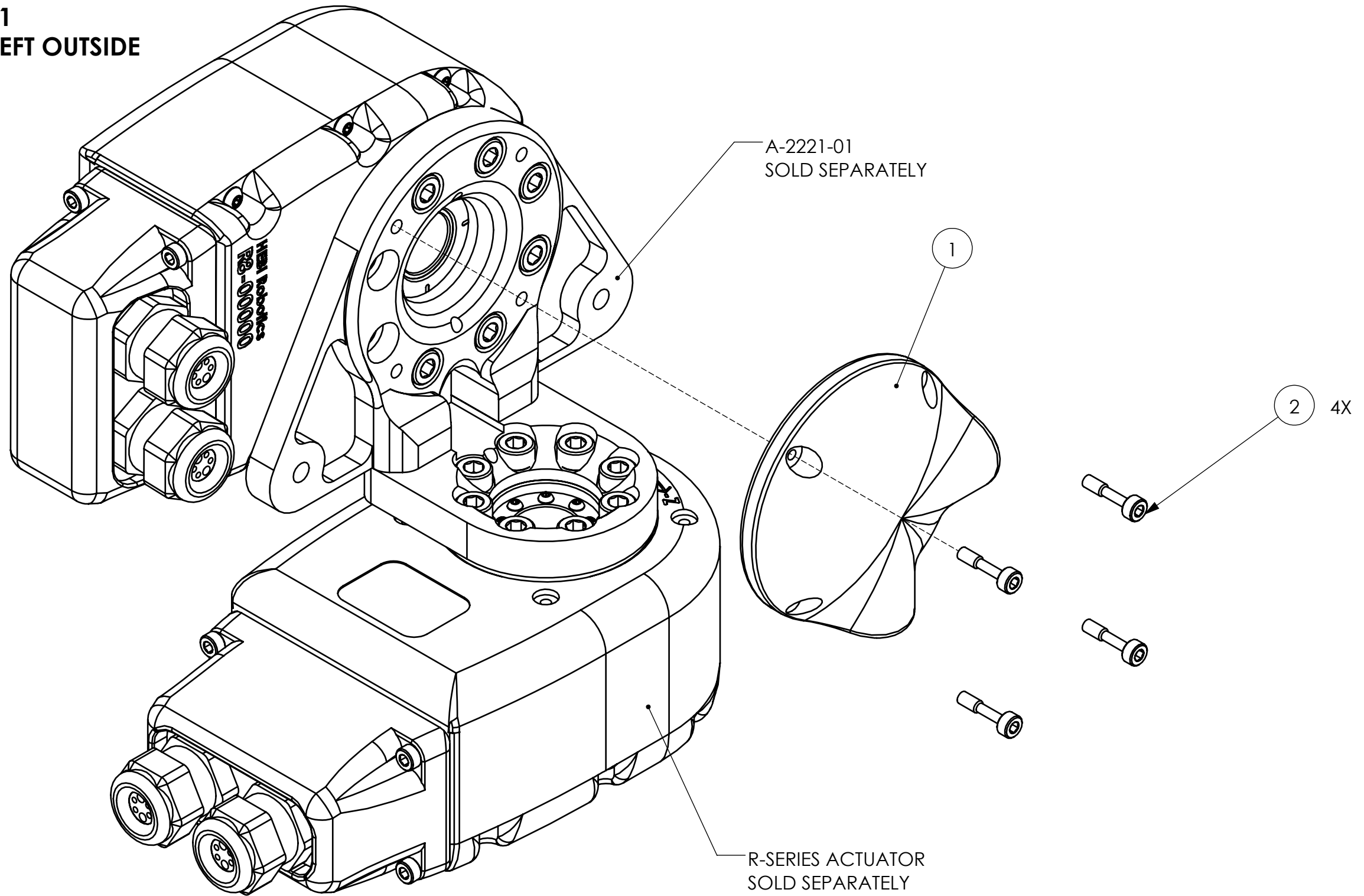
ITEM NO.	PART NUMBER	DESCRIPTION	left_outside/QTY.
1	PM-2527-01	Heavy 90° Bracket Cover	1
2	PP-2346-14	M3 Captive SHCS, 14mm Length, 316 Stainless	4

HEBI ROBOTICS, INC.
91 43rd Street, Suite 200
Pittsburgh, PA 15201

SIZE B	A-2232-01	REV A.01	VER
SCALE: 1:1	SHEET 5	OF	17

THE INFORMATION CONTAINED IN THIS DRAWING IS THE SOLE PROPERTY OF HEBI ROBOTICS, INC. ANY REPRODUCTION IN PART OR WHOLE WITHOUT WRITTEN PERMISSION IS PROHIBITED.

**R-SERIES ACTUATOR
BRACKET: A-2221-01
CONFIGURATION: LEFT OUTSIDE**



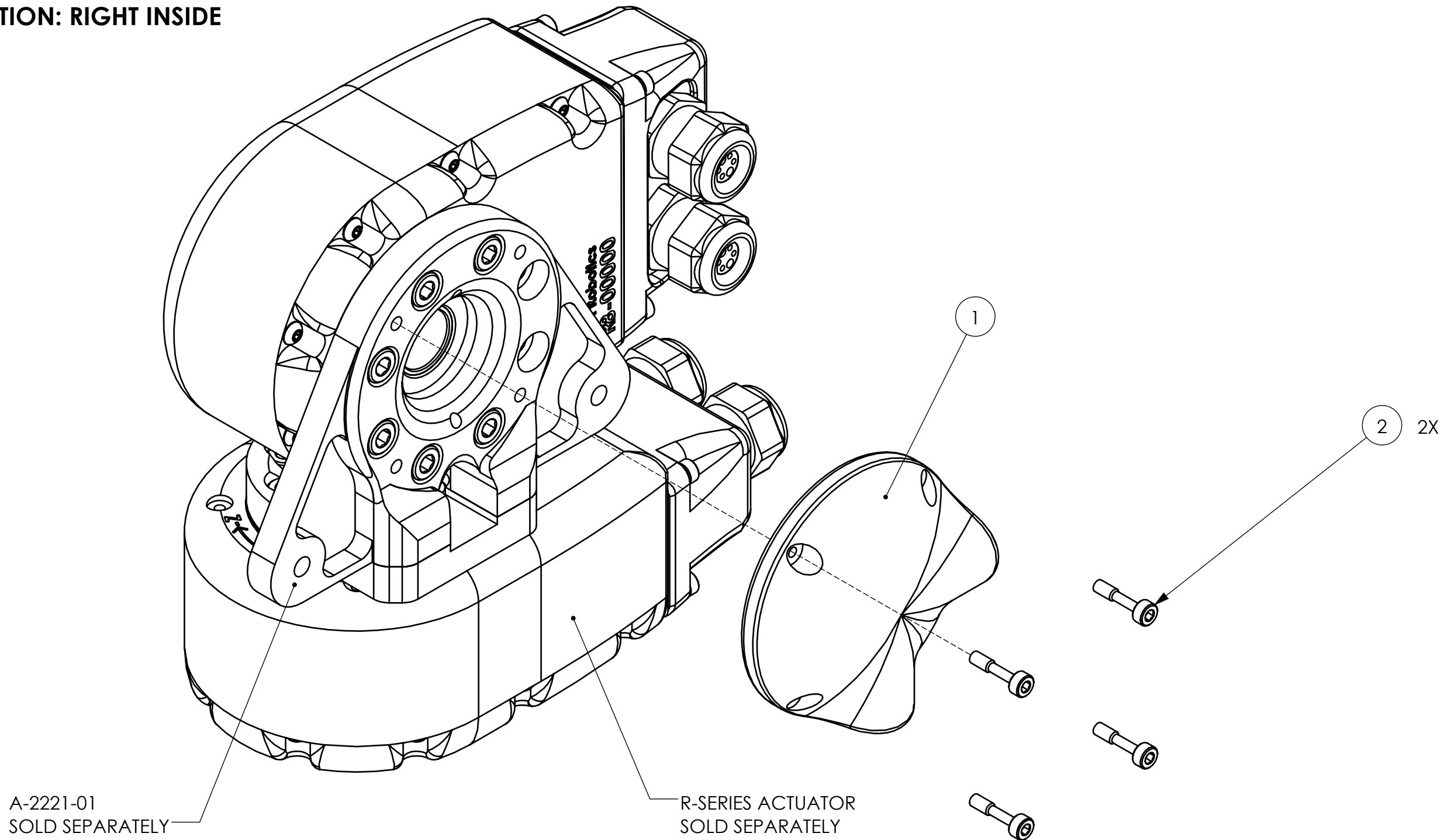
ITEM NO.	PART NUMBER	DESCRIPTION	left_outside/QTY.
1	PM-2527-01	Heavy 90° Bracket Cover	1
2	PP-2346-14	M3 Captive SHCS, 14mm Length, 316 Stainless	4

HEBI ROBOTICS, INC.
91 43rd Street, Suite 200
Pittsburgh, PA 15201

SIZE B	A-2232-01	REV A.01
SCALE: 1:1	SHEET 6	OF 17

THE INFORMATION CONTAINED IN THIS DRAWING IS THE SOLE PROPERTY OF HEBI ROBOTICS, INC. ANY REPRODUCTION IN PART OR WHOLE WITHOUT WRITTEN PERMISSION IS PROHIBITED.

**R-SERIES ACTUATOR
BRACKET: A-2221-01
CONFIGURATION: RIGHT INSIDE**



A-2221-01
SOLD SEPARATELY

R-SERIES ACTUATOR
SOLD SEPARATELY

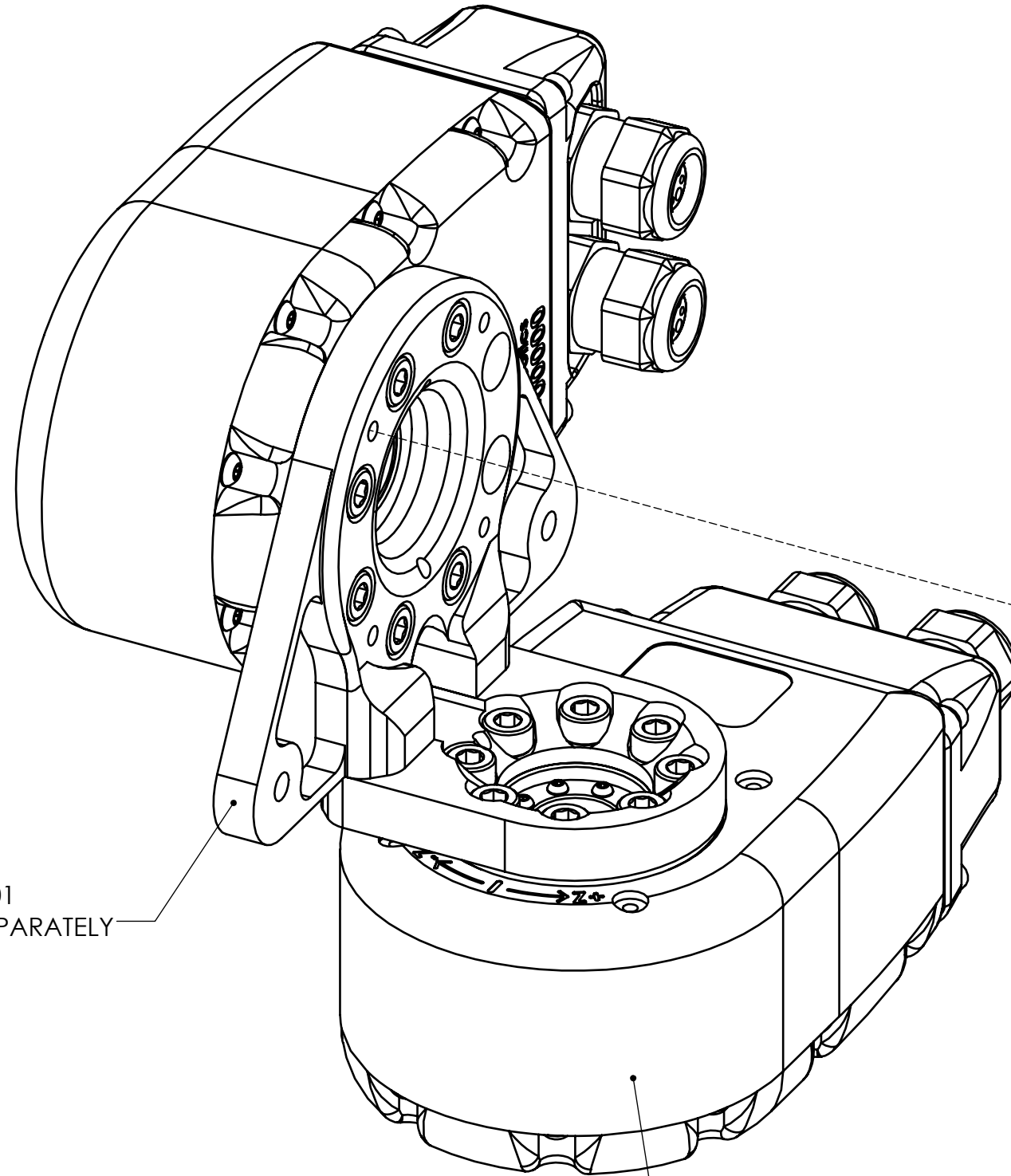
ITEM NO.	PART NUMBER	DESCRIPTION	left_outside/QTY.
1	PM-2527-01	Heavy 90° Bracket Cover	1
2	PP-2346-14	M3 Captive SHCS, 14mm Length, 316 Stainless	4

HEBI ROBOTICS, INC.
91 43rd Street, Suite 200
Pittsburgh, PA 15201

SIZE B	A-2232-01	REV A.01
SCALE: 1:1	SHEET 7 OF 17	

THE INFORMATION CONTAINED IN THIS DRAWING IS THE SOLE PROPERTY OF HEBI ROBOTICS, INC. ANY REPRODUCTION IN PART OR WHOLE WITHOUT WRITTEN PERMISSION IS PROHIBITED.

**R-SERIES ACTUATOR
BRACKET: A-2221-01
CONFIGURATION: RIGHT OUTSIDE**



A-2221-01
SOLD SEPARATELY

R-SERIES ACTUATOR
SOLD SEPARATELY

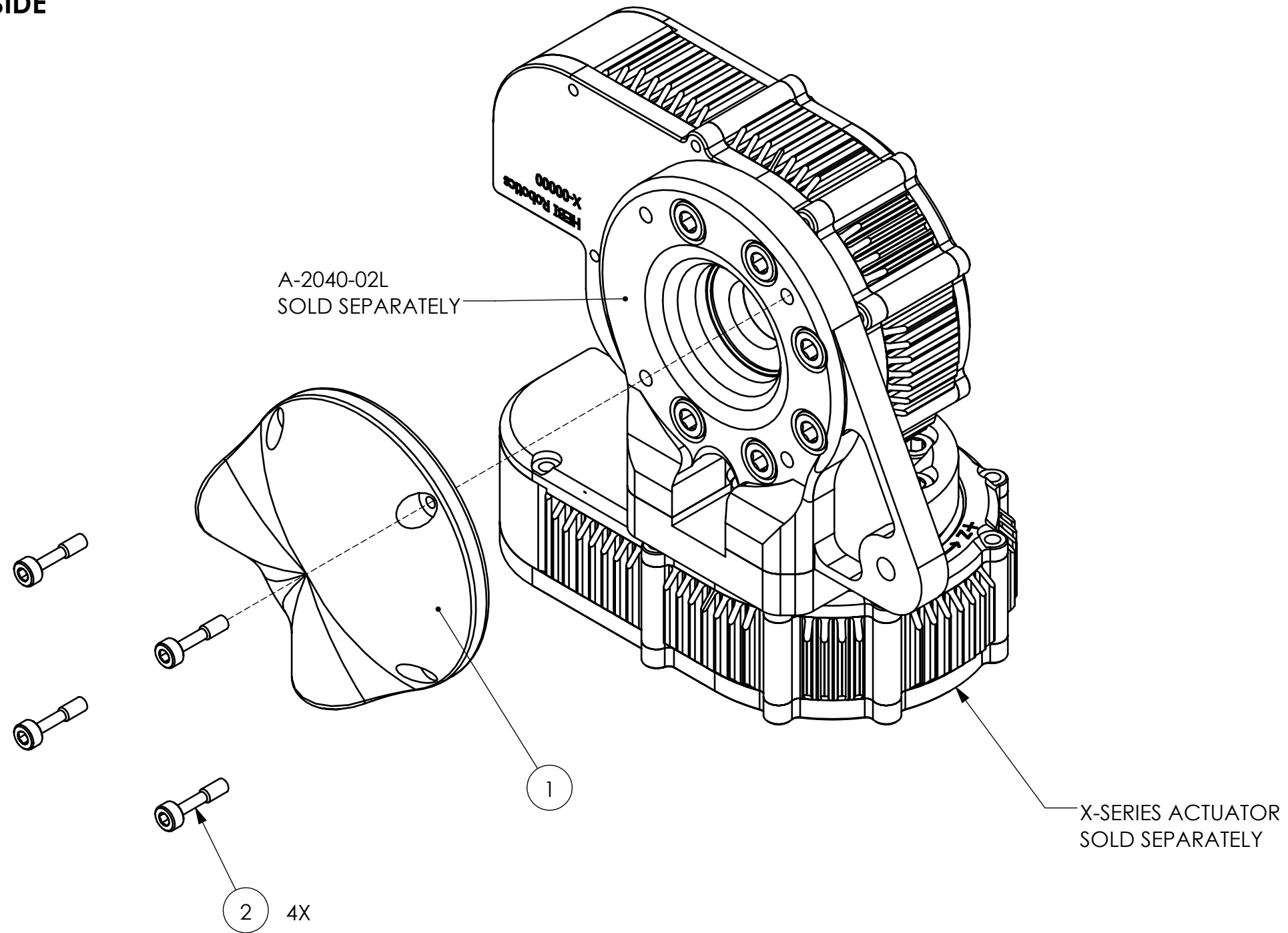
ITEM NO.	PART NUMBER	DESCRIPTION	left_outside/QTY.
1	PM-2527-01	Heavy 90° Bracket Cover	1
2	PP-2346-14	M3 Captive SHCS, 14mm Length, 316 Stainless	4

HEBI ROBOTICS, INC.
91 43rd Street, Suite 200
Pittsburgh, PA 15201

SIZE B	A-2232-01	REV A.01
SCALE: 1:1	SHEET 8 OF 17	

THE INFORMATION CONTAINED IN THIS DRAWING IS THE SOLE PROPERTY OF HEBI ROBOTICS, INC. ANY REPRODUCTION IN PART OR WHOLE WITHOUT WRITTEN PERMISSION IS PROHIBITED.

**X-SERIES ACTUATOR
BRACKET: A-2040-02L
CONFIGURATION: INSIDE**



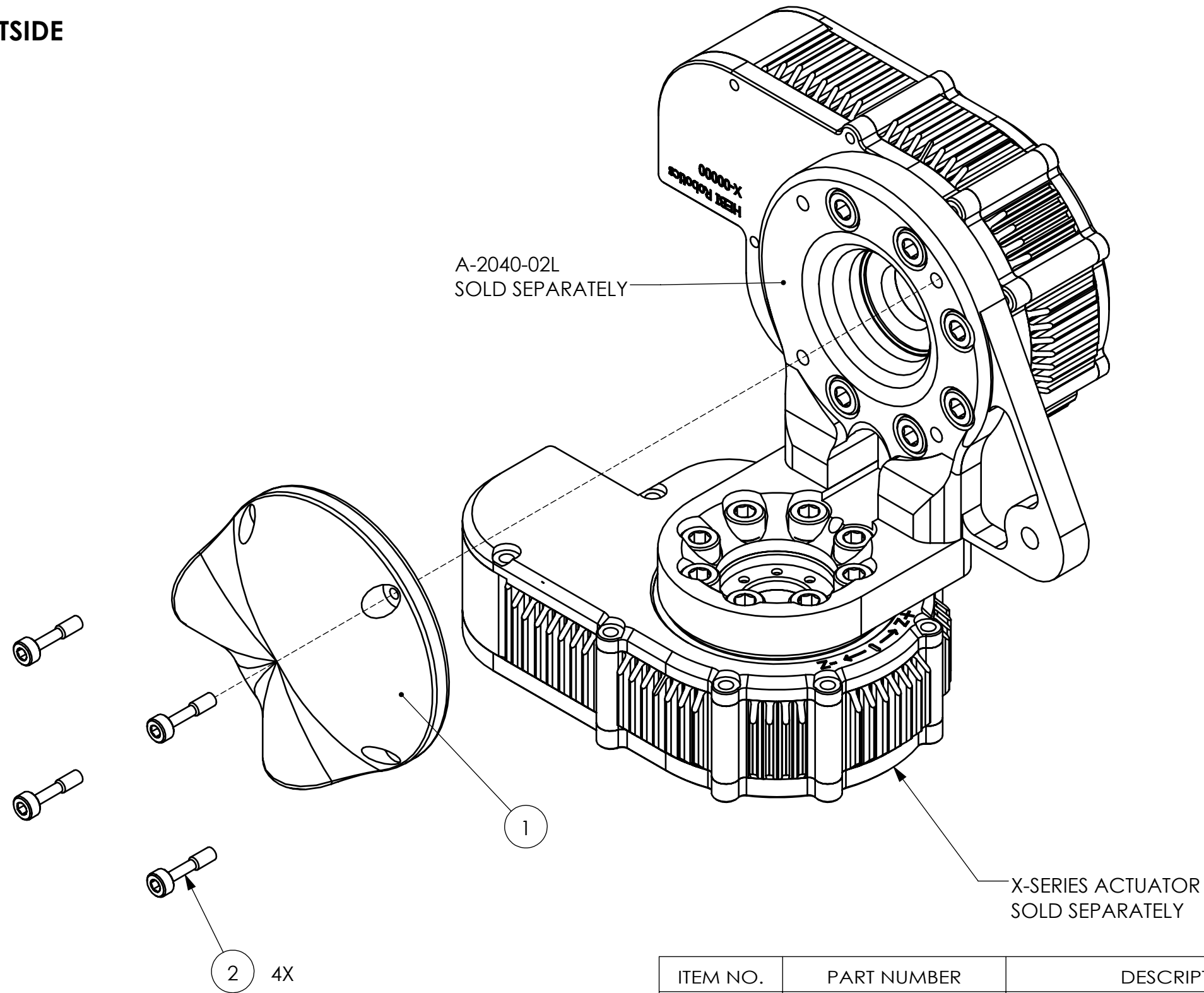
ITEM NO.	PART NUMBER	DESCRIPTION	left_outside/QTY.
1	PM-2527-01	Heavy 90° Bracket Cover	1
2	PP-2346-14	M3 Captive SHCS, 14mm Length, 316 Stainless	4

HEBI ROBOTICS, INC.
91 43rd Street, Suite 200
Pittsburgh, PA 15201

SIZE B	A-2232-01	REV A.01	VER
SCALE: 1:1	SHEET 9	OF 17	

THE INFORMATION CONTAINED IN THIS DRAWING IS THE SOLE PROPERTY OF HEBI ROBOTICS, INC. ANY REPRODUCTION IN PART OR WHOLE WITHOUT WRITTEN PERMISSION IS PROHIBITED.

**X-SERIES ACTUATOR
BRACKET: A-2040-02L
CONFIGURATION: OUTSIDE**



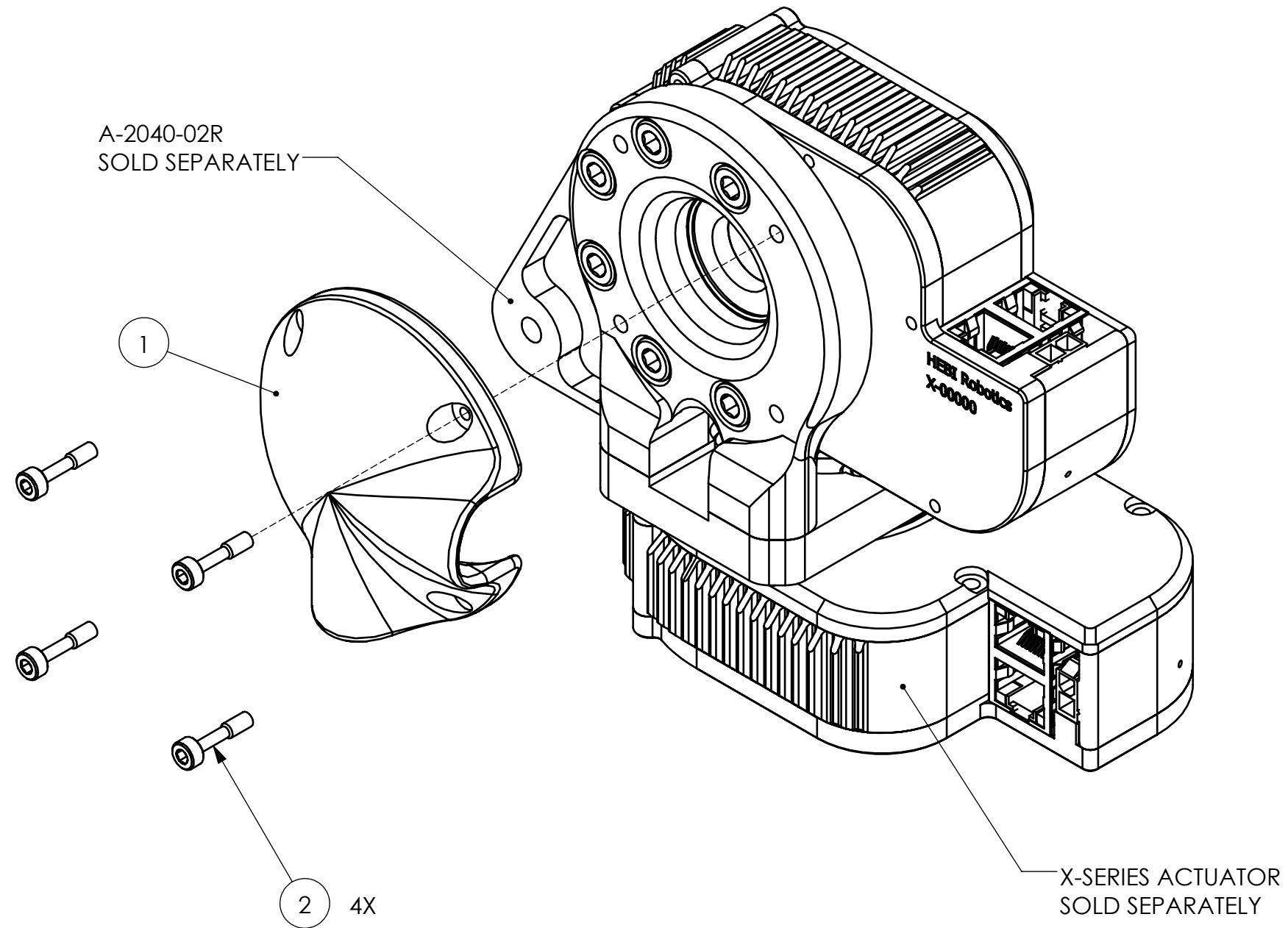
ITEM NO.	PART NUMBER	DESCRIPTION	left_outside/QTY.
1	PM-2527-01	Heavy 90° Bracket Cover	1
2	PP-2346-14	M3 Captive SHCS, 14mm Length, 316 Stainless	4

HEBI ROBOTICS, INC.
91 43rd Street, Suite 200
Pittsburgh, PA 15201

SIZE B	A-2232-01	REV A.01
SCALE: 1:1	SHEET 10	OF 17

THE INFORMATION CONTAINED IN THIS DRAWING IS THE SOLE PROPERTY OF HEBI ROBOTICS, INC. ANY REPRODUCTION IN PART OR WHOLE WITHOUT WRITTEN PERMISSION IS PROHIBITED.

**X-SERIES ACTUATOR
BRACKET: A-2040-02R
CONFIGURATION: INSIDE**



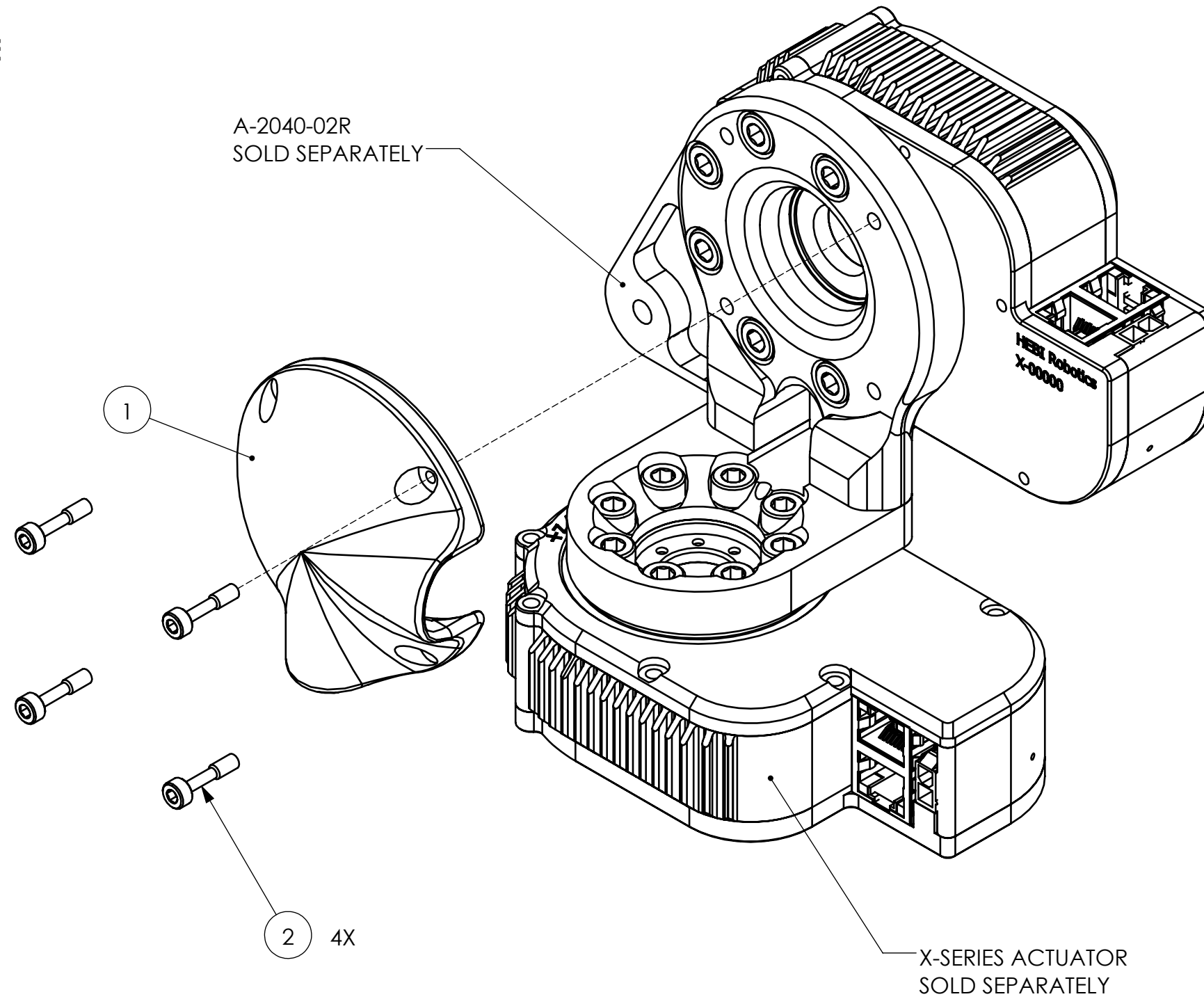
ITEM NO.	PART NUMBER	DESCRIPTION	left_outside/QTY.
1	PM-2527-01	Heavy 90° Bracket Cover	1
2	PP-2346-14	M3 Captive SHCS, 14mm Length, 316 Stainless	4

HEBI ROBOTICS, INC.
91 43rd Street, Suite 200
Pittsburgh, PA 15201

SIZE B	A-2232-01	REV A.01
SCALE: 1:1	SHEET 11	OF 17

THE INFORMATION CONTAINED IN THIS DRAWING IS THE SOLE PROPERTY OF HEBI ROBOTICS, INC. ANY REPRODUCTION IN PART OR WHOLE WITHOUT WRITTEN PERMISSION IS PROHIBITED.

**X-SERIES ACTUATOR
BRACKET: A-2040-02R
CONFIGURATION: OUTSIDE**



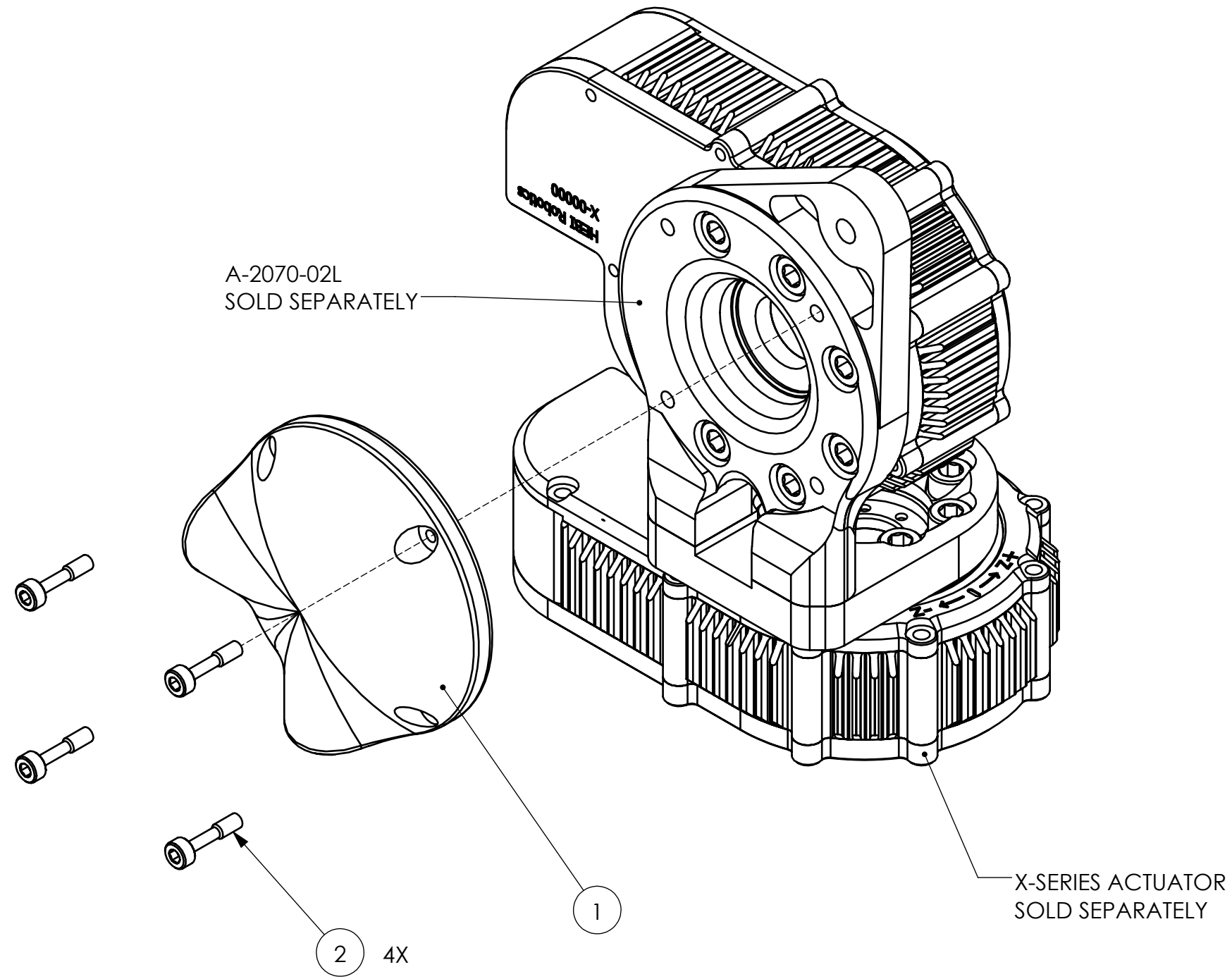
ITEM NO.	PART NUMBER	DESCRIPTION	left_outside/QTY.
1	PM-2527-01	Heavy 90° Bracket Cover	1
2	PP-2346-14	M3 Captive SHCS, 14mm Length, 316 Stainless	4

HEBI ROBOTICS, INC.
91 43rd Street, Suite 200
Pittsburgh, PA 15201

SIZE B	A-2232-01	REV A.01
SCALE: 1:1	SHEET 12	OF 17

THE INFORMATION CONTAINED IN THIS DRAWING IS THE SOLE PROPERTY OF HEBI ROBOTICS, INC. ANY REPRODUCTION IN PART OR WHOLE WITHOUT WRITTEN PERMISSION IS PROHIBITED.

**X-SERIES ACTUATOR
BRACKET: A-2070-02L
CONFIGURATION: INSIDE**



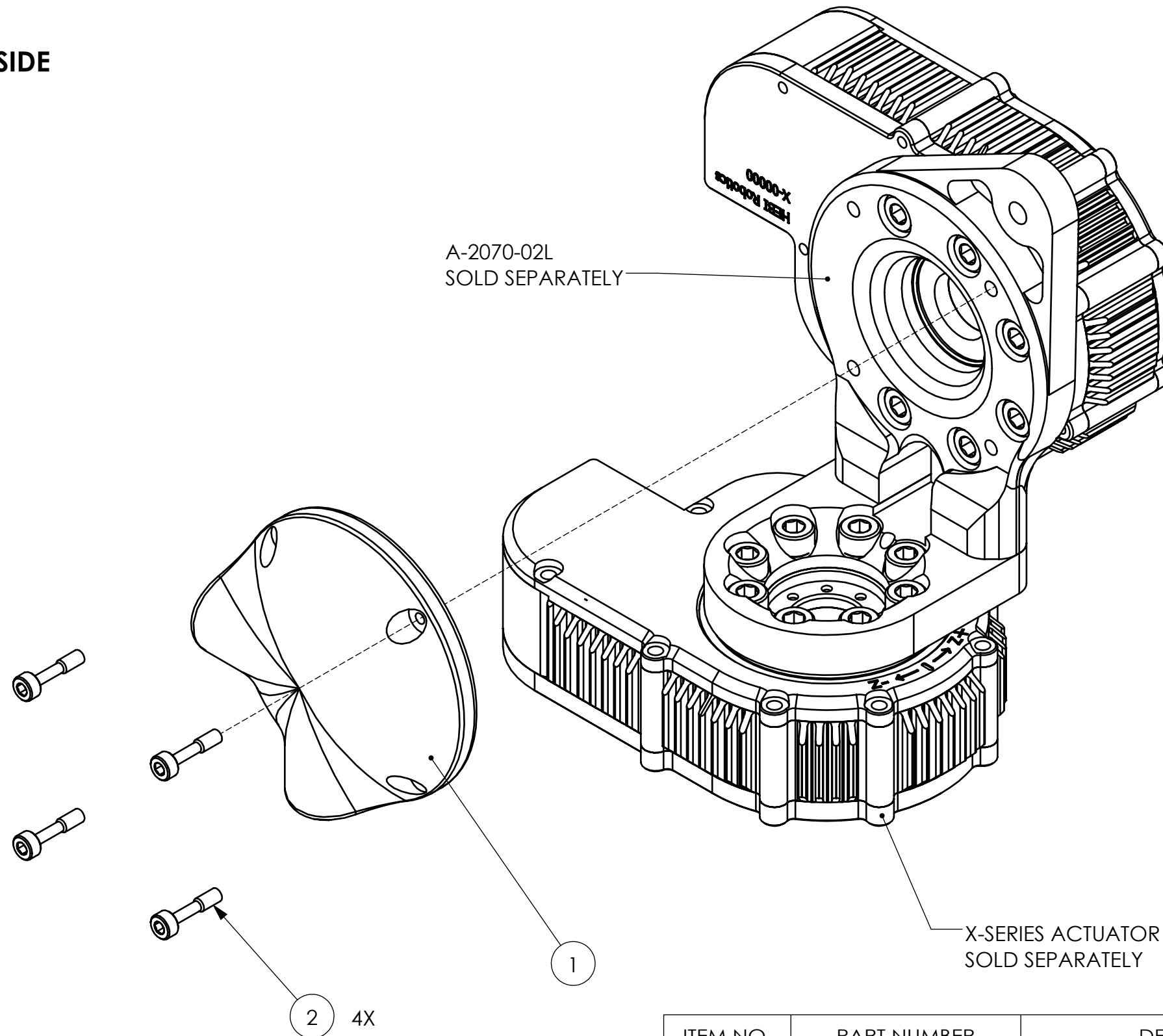
ITEM NO.	PART NUMBER	DESCRIPTION	left_outside/QTY.
1	PM-2527-01	Heavy 90° Bracket Cover	1
2	PP-2346-14	M3 Captive SHCS, 14mm Length, 316 Stainless	4

HEBI ROBOTICS, INC.
91 43rd Street, Suite 200
Pittsburgh, PA 15201

SIZE B	A-2232-01	REV A.01	VER
SCALE: 1:1	SHEET 13	OF	17

THE INFORMATION CONTAINED IN THIS DRAWING IS THE SOLE PROPERTY OF HEBI ROBOTICS, INC. ANY REPRODUCTION IN PART OR WHOLE WITHOUT WRITTEN PERMISSION IS PROHIBITED.

**X-SERIES ACTUATOR
BRACKET: A-2070-02L
CONFIGURATION: OUTSIDE**



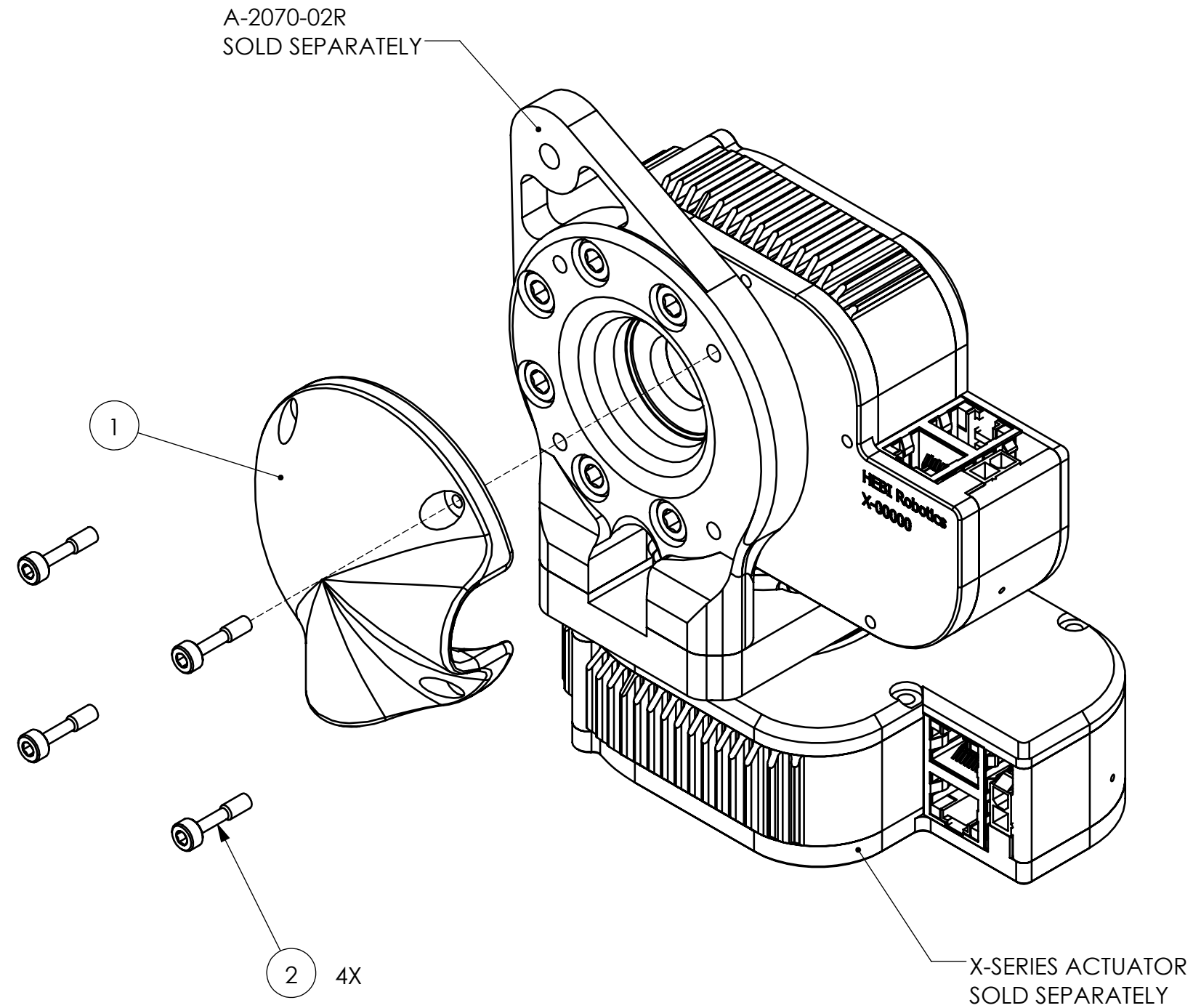
ITEM NO.	PART NUMBER	DESCRIPTION	left_outside/QTY.
1	PM-2527-01	Heavy 90° Bracket Cover	1
2	PP-2346-14	M3 Captive SHCS, 14mm Length, 316 Stainless	4

HEBI ROBOTICS, INC.
91 43rd Street, Suite 200
Pittsburgh, PA 15201

SIZE B	A-2232-01	REV A.01
SCALE: 1:1	SHEET 14	OF 17

THE INFORMATION CONTAINED IN THIS DRAWING IS THE SOLE PROPERTY OF HEBI ROBOTICS, INC. ANY REPRODUCTION IN PART OR WHOLE WITHOUT WRITTEN PERMISSION IS PROHIBITED.

**X-SERIES ACTUATOR
BRACKET: A-2070-02R
CONFIGURATION: INSIDE**



ITEM NO.	PART NUMBER	DESCRIPTION	left_outside/QTY.
1	PM-2527-01	Heavy 90° Bracket Cover	1
2	PP-2346-14	M3 Captive SHCS, 14mm Length, 316 Stainless	4

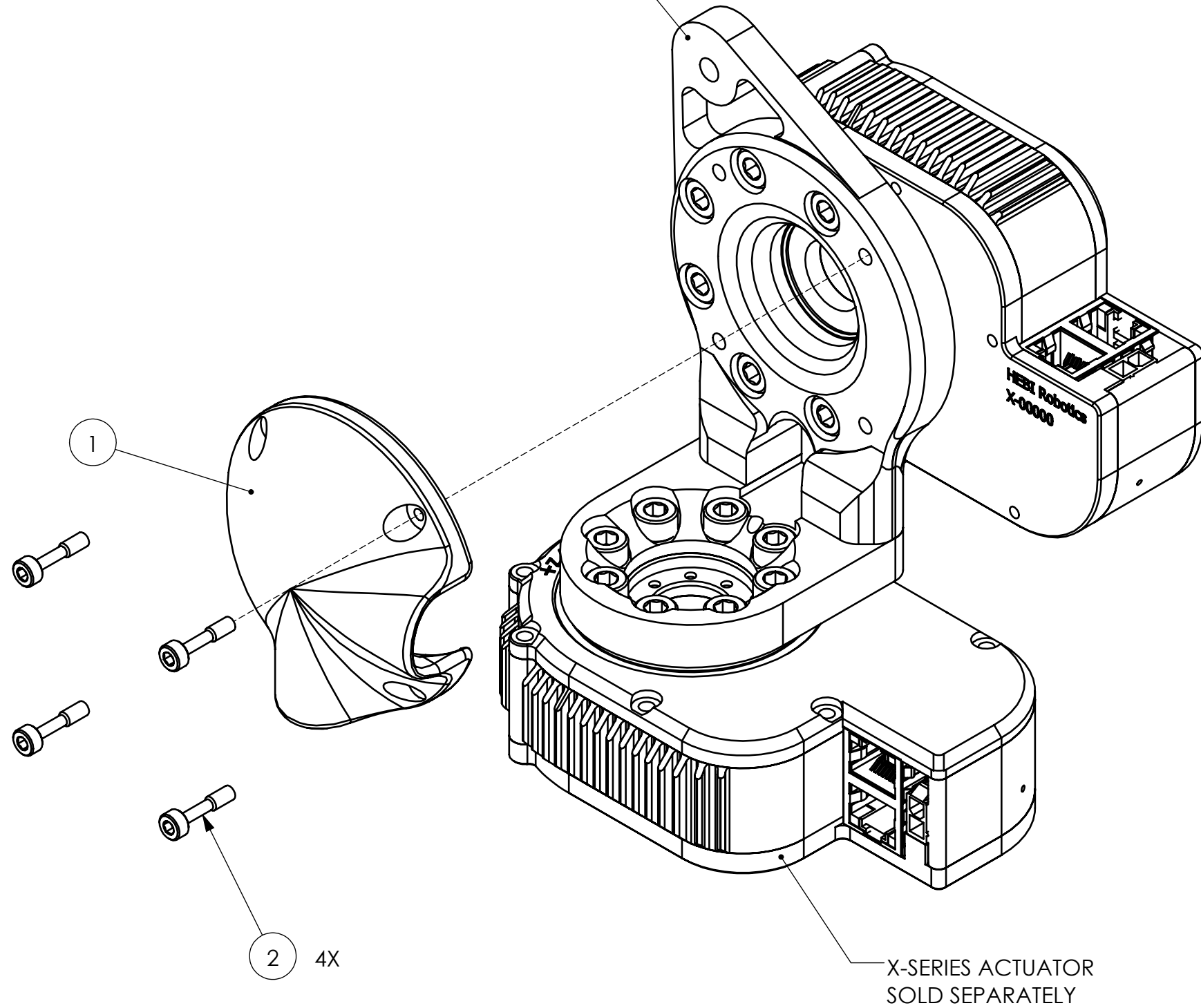
HEBI ROBOTICS, INC.
91 43rd Street, Suite 200
Pittsburgh, PA 15201

SIZE B	A-2232-01	REV A.01	VER
SCALE: 1:1	SHEET 15	OF	17

THE INFORMATION CONTAINED IN THIS DRAWING IS THE SOLE PROPERTY OF HEBI ROBOTICS, INC. ANY REPRODUCTION IN PART OR WHOLE WITHOUT WRITTEN PERMISSION IS PROHIBITED.

**X-SERIES ACTUATOR
BRACKET: A-2070-02R
CONFIGURATION: OUTSIDE**

A-2070-02R
SOLD SEPARATELY

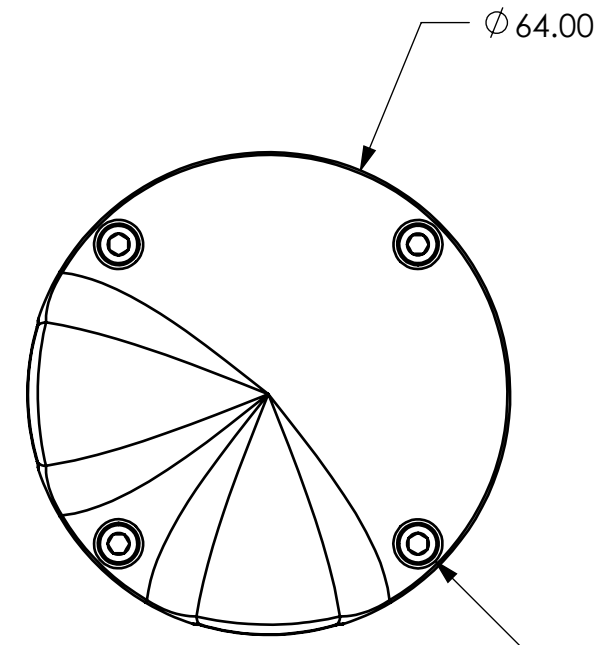
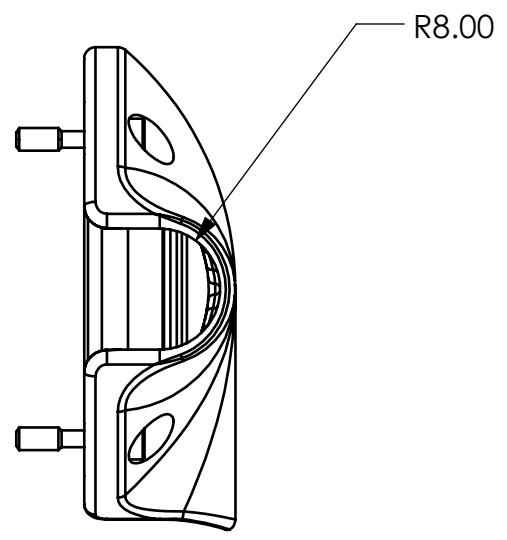
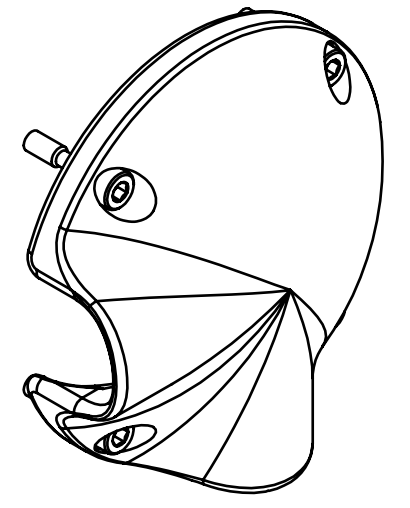
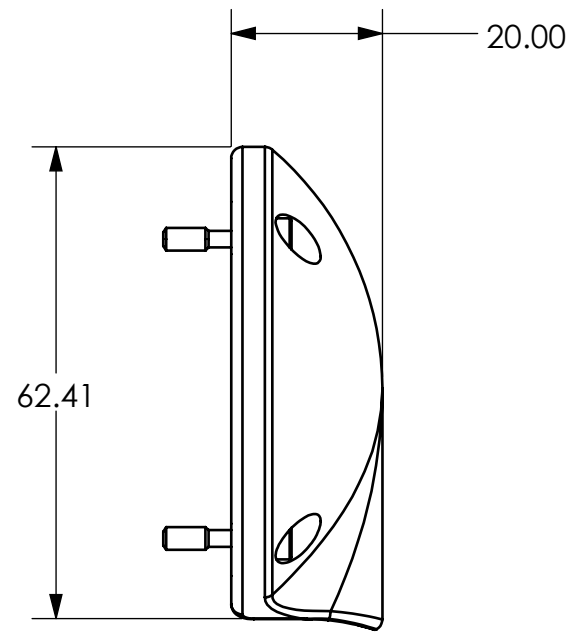


ITEM NO.	PART NUMBER	DESCRIPTION	left_outside/QTY.
1	PM-2527-01	Heavy 90° Bracket Cover	1
2	PP-2346-14	M3 Captive SHCS, 14mm Length, 316 Stainless	4

HEBI ROBOTICS, INC.
91 43rd Street, Suite 200
Pittsburgh, PA 15201

SIZE B	A-2232-01	REV A.01	VER
SCALE: 1:1	SHEET 16	OF	17

THE INFORMATION CONTAINED IN THIS DRAWING IS THE SOLE PROPERTY OF HEBI ROBOTICS, INC. ANY REPRODUCTION IN PART OR WHOLE WITHOUT WRITTEN PERMISSION IS PROHIBITED.



4X M3 X 14MM CAPTIVE SCREWS

THE INFORMATION CONTAINED IN THIS DRAWING IS THE SOLE PROPERTY OF HEBI ROBOTICS, INC. ANY REPRODUCTION IN PART OR WHOLE WITHOUT WRITTEN PERMISSION IS PROHIBITED.

HEBI ROBOTICS, INC.
 91 43rd Street, Suite 200
 Pittsburgh, PA 15201

SIZE B	A-2232-01	REV A.01	VER
SCALE: 1:1	SHEET 17 OF 17		