

6

5

4

3

2

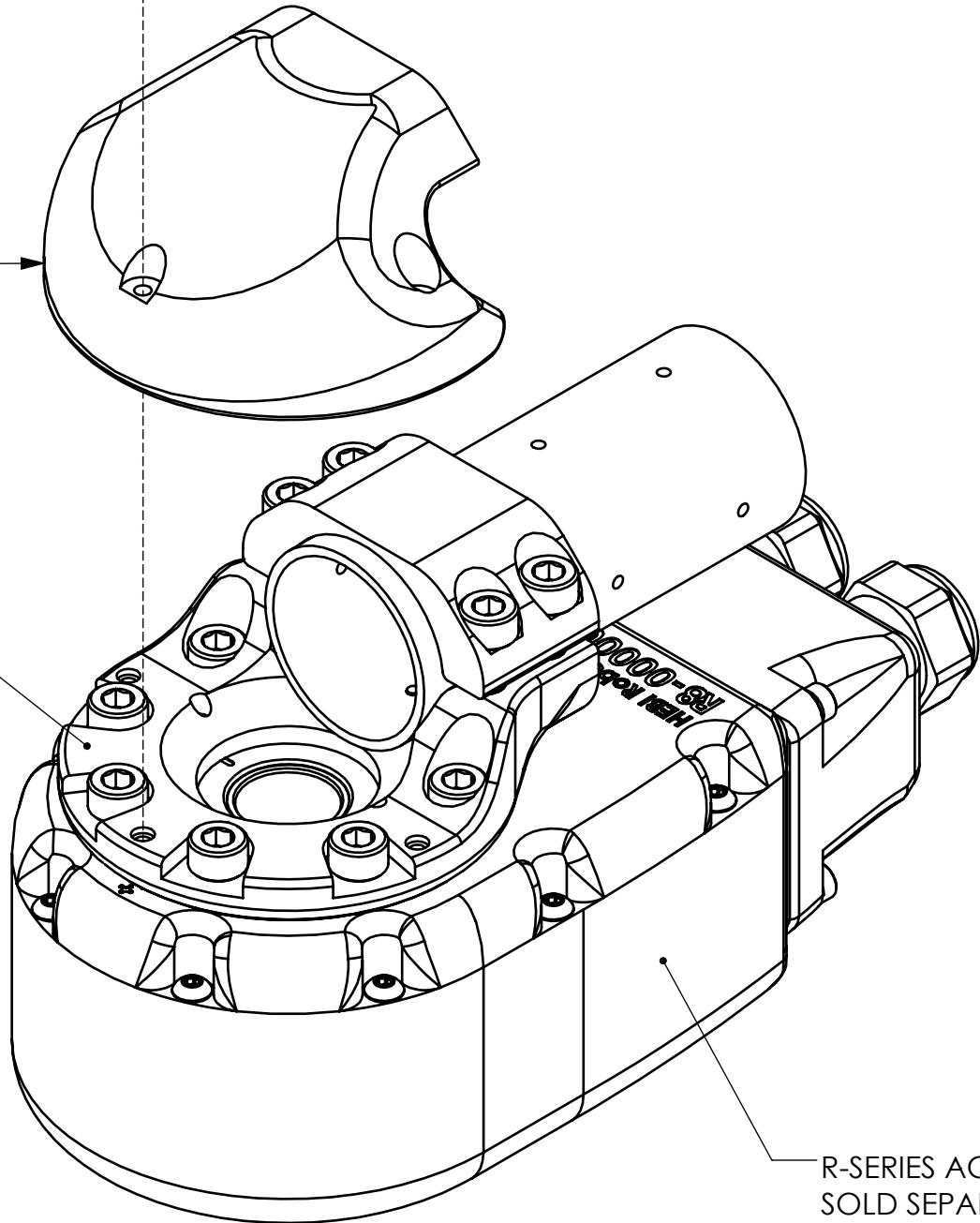
1

REVISIONS			
REV.	DESCRIPTION	DATE	APPROVED
A.01	INITIAL DRAFTING AND LAYOUT.	13 MAY 2019	H KIM

3X (2)

(1)

A-2219-01
SOLD SEPARATELY



R-SERIES ACTUATOR
SOLD SEPARATELY

NOTE: TOTAL WEIGHT EXCLUDES R-SERIES ACTUATOR AND TUBE ADAPTER
(SEE CONFIGURATION ON SHEET 2)

ITEM NO.	PART NUMBER	DESCRIPTION	Default/ QTY.
1	PM-2526-01	Input Tube Adapter Cover	1
2	PP-2346-14	M3 Captive SHCS, 14mm Length, 316 Stainless	3

AUTHORIZATION

DFTG:	H KIM	11 APR 2019
DSGNR:	H KIM	11 APR 2019
CHKR:		
ENGR:		

HEBI ROBOTICS, INC.

91 43rd St, Suite 200
Pittsburgh, PA 15201

PROJECT: R-Series Accessories

Housing Tube Adapter Cover

UNLESS OTHERWISE SPECIFIED
DIMENSIONS ARE IN MM
DO NOT SCALE DRAWING

TOLERANCES:	X.X	±.30
	X.XX	±.08
	ANGLES	±1.00°

SIZE	A-2231-01	REV	VER
B		A.01	

SCALE:	1:1	WEIGHT:	16.57 G	SHEET	1 OF 2
--------	-----	---------	---------	-------	--------

THE INFORMATION CONTAINED IN THIS DRAWING IS THE SOLE PROPERTY OF
HEBI ROBOTICS, INC. ANY REPRODUCTION IN PART OR WHOLE WITHOUT
WRITTEN PERMISSION OF IS PROHIBITED.

6

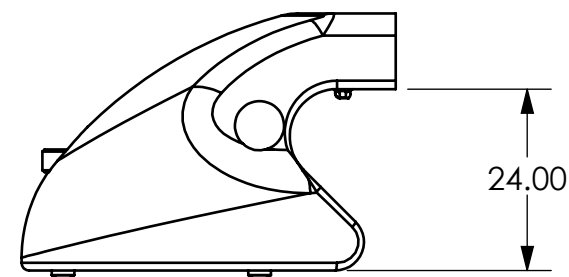
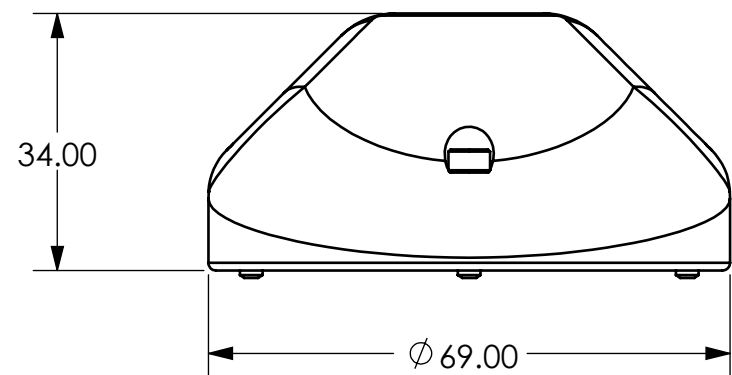
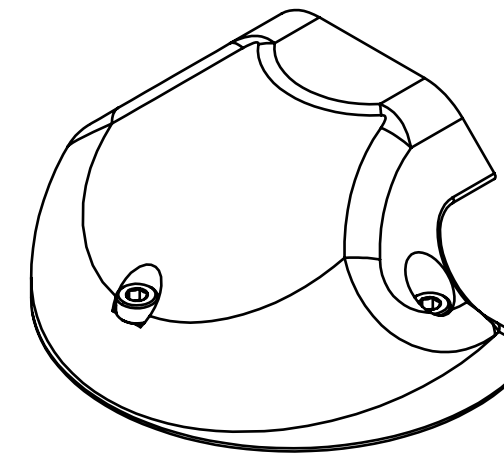
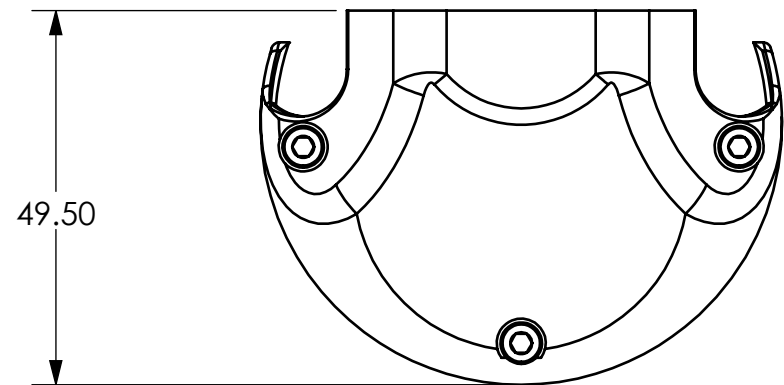
5

4

3

2

FILE NAME: A-2231-01.SLDDRW



THE INFORMATION CONTAINED IN THIS DRAWING IS THE SOLE PROPERTY OF HEBI ROBOTICS, INC. ANY REPRODUCTION IN PART OR WHOLE WITHOUT WRITTEN PERMISSION IS PROHIBITED.

HEBI ROBOTICS, INC.
 91 43rd Street, Suite 200
 Pittsburgh, PA 15201

SIZE B	A-2231-01	REV A.01	VER
SCALE: 1:1	SHEET 2 OF 2		