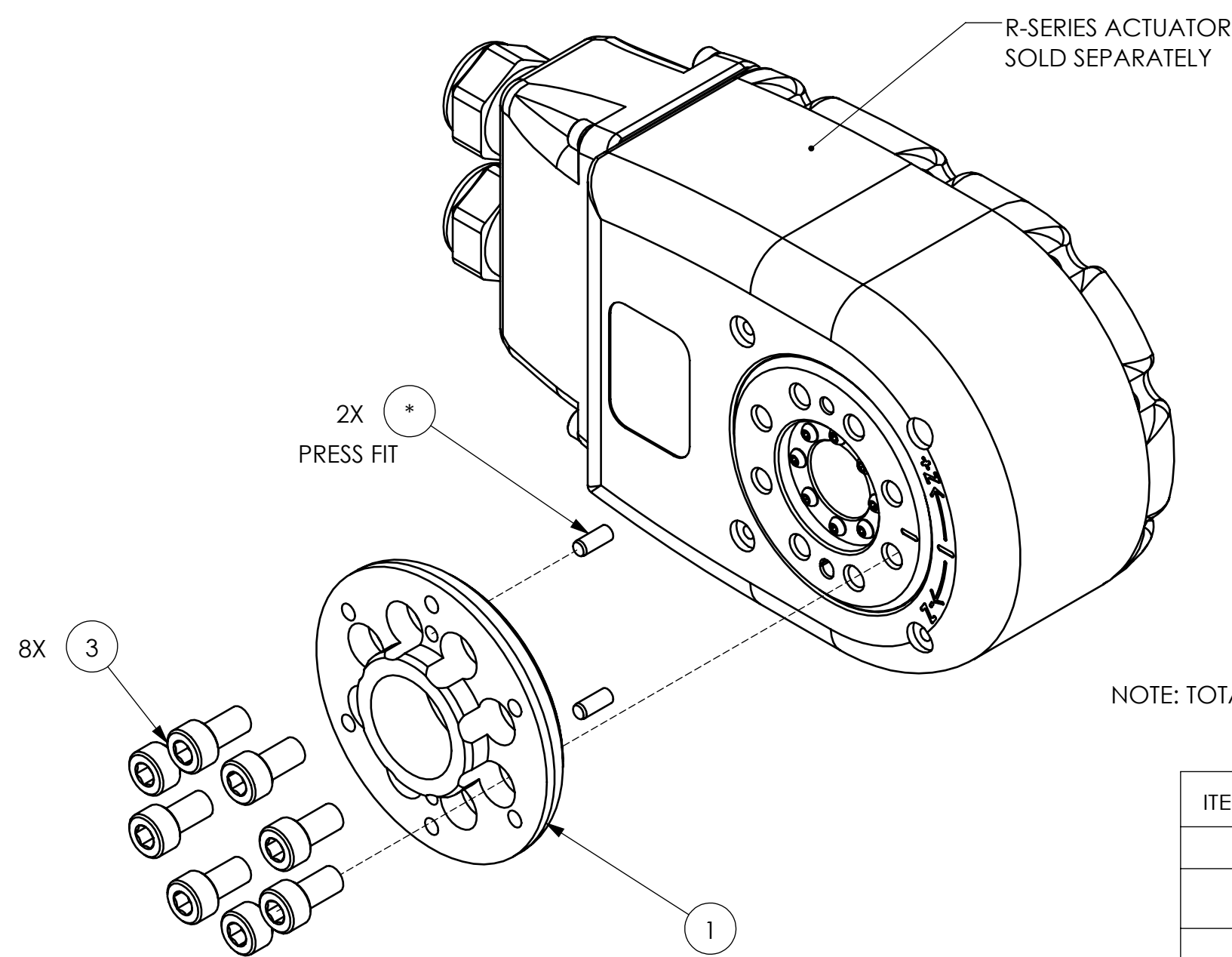


REVISIONS			
REV.	DESCRIPTION	DATE	APPROVED
A.01	INITIAL DRAFTING AND LAYOUT.	29 APR 2019	H KIM



NOTE: TOTAL WEIGHT EXCLUDES R-SERIES ACTUATORS (SEE CONFIGURATION ON SHEET 2)

ITEM NO.	PART NUMBER	DESCRIPTION	Default/ QTY.
1	PM-2155-02	Wheel Adapter	1
2	PP-2452-08	M3 Dowel Pin, 8mm Length, Stainless Steel	2
3	PP-2410-10	M5 SHCS, 10mm Length, Stainless Steel	8

AUTHORIZATION		<b>HEBI ROBOTICS, INC.</b>	
DFTG: H KIM	11 APR 2019	91 43rd St, Suite 200 Pittsburgh, PA 15201	
DSGMR: H KIM	11 APR 2019	PROJECT: R-Series Accessories	
CHKR:		Wheel Adapter	
ENGR:			
UNLESS OTHERWISE SPECIFIED DIMENSIONS ARE IN MM DO NOT SCALE DRAWING			
TOLERANCES:		X.X ±.30	REV VER
	X.XX ±.08	<b>A-2227-01</b>	
	ANGLES ±1.00°	SCALE: 1:1	WEIGHT: 0.00 G
		SHEET 1 OF 2	FILE NAME: A-2227-01.SLDDRW

THE INFORMATION CONTAINED IN THIS DRAWING IS THE SOLE PROPERTY OF HEBI ROBOTICS, INC. ANY REPRODUCTION IN PART OR WHOLE WITHOUT WRITTEN PERMISSION OF IS PROHIBITED.

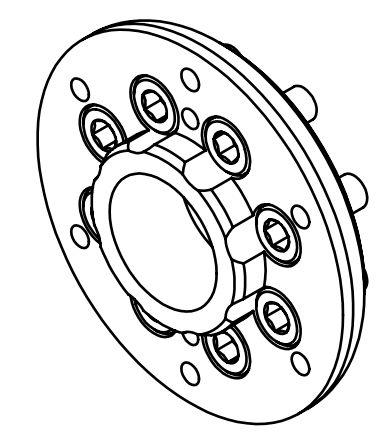
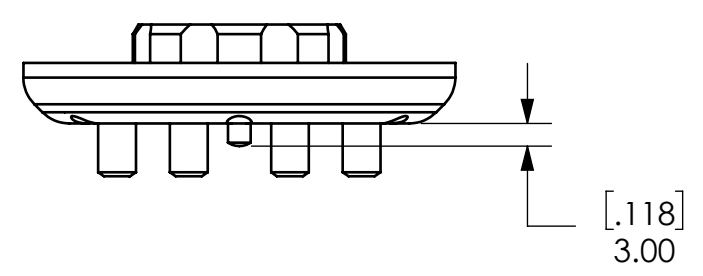
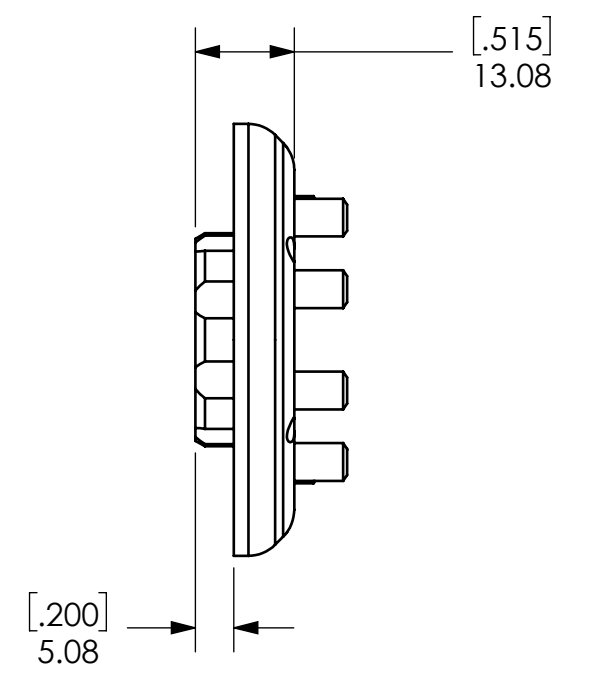
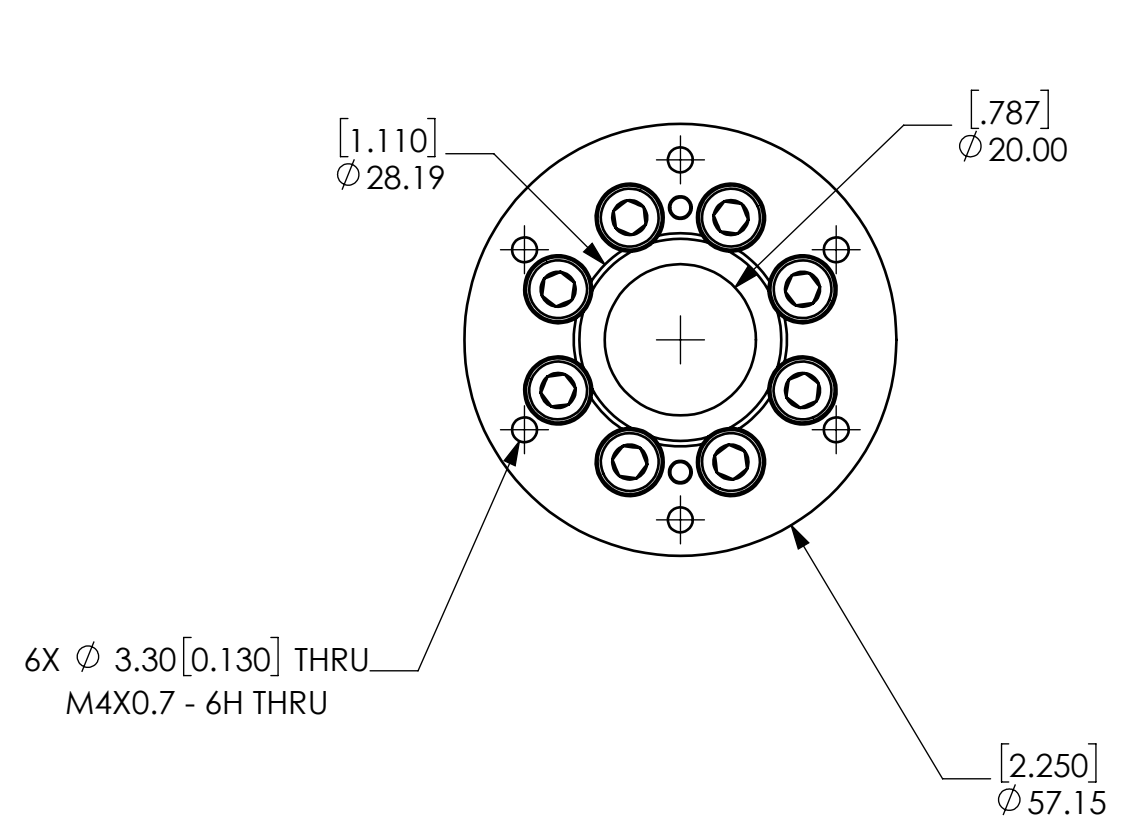
6 5 4 3 2 1

D

C

B

A



THE INFORMATION CONTAINED IN THIS DRAWING IS THE SOLE PROPERTY OF HEBI ROBOTICS, INC. ANY REPRODUCTION IN PART OR WHOLE WITHOUT WRITTEN PERMISSION IS PROHIBITED.

**HEBI ROBOTICS, INC.**  
 91 43rd Street, Suite 200  
 Pittsburgh, PA 15201

SIZE <b>B</b>	<b>A-2227-01</b>	REV <b>A.01</b>	VER
SCALE: <b>1:1</b>	SHEET <b>2</b> OF <b>2</b>		

6 5 4 3 2 1