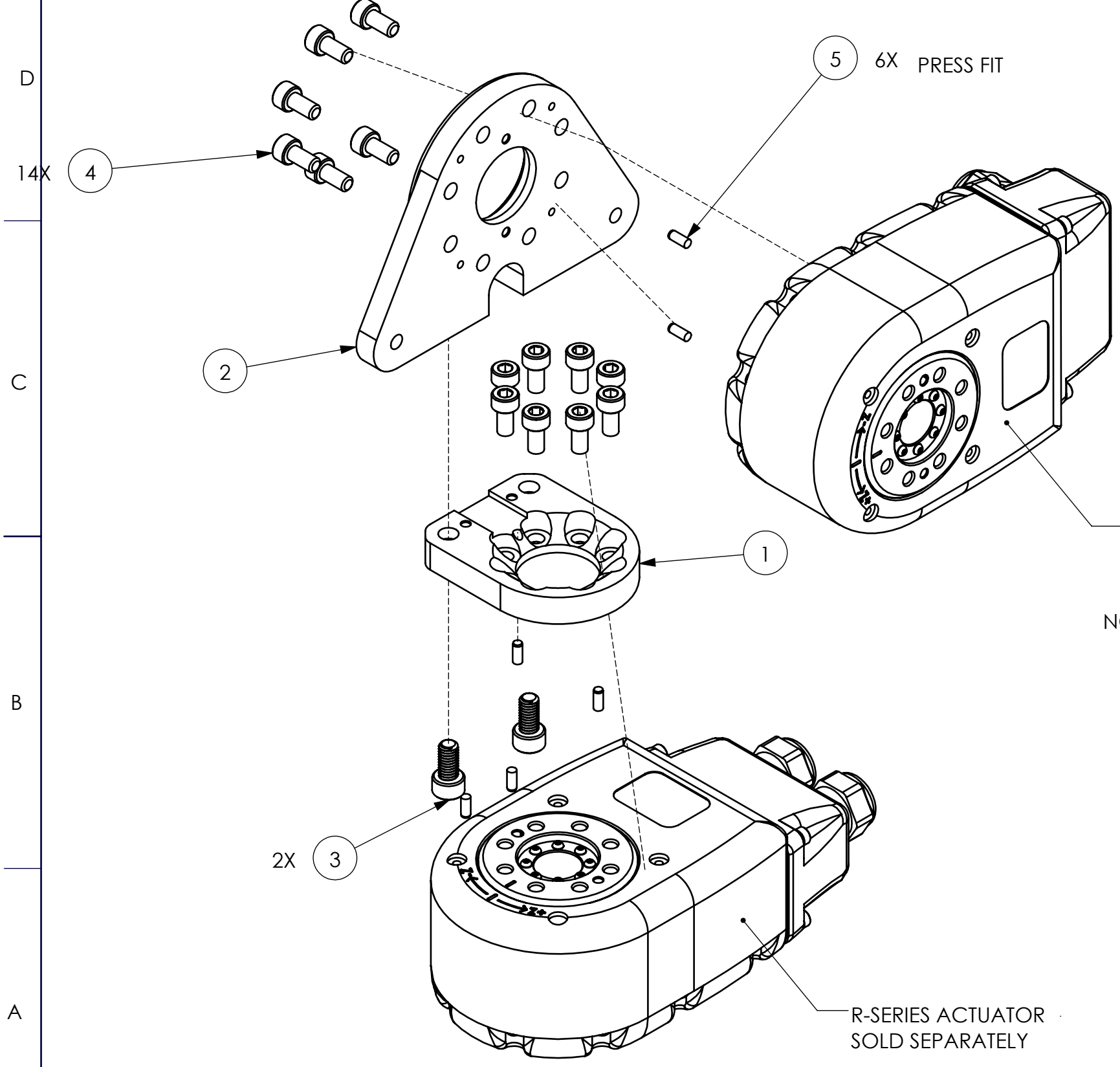


**LEFT-INSIDE**

REVISIONS			
REV.	DESCRIPTION	DATE	APPROVED
A.01	INITIAL DRAFTING AND LAYOUT.	29 APR 2019	H KIM



R-SERIES ACTUATOR  
SOLD SEPARATELY

NOTE: TOTAL WEIGHT EXCLUDES R-SERIES ACTUATORS (SEE CONFIGURATION ON SHEET 2)

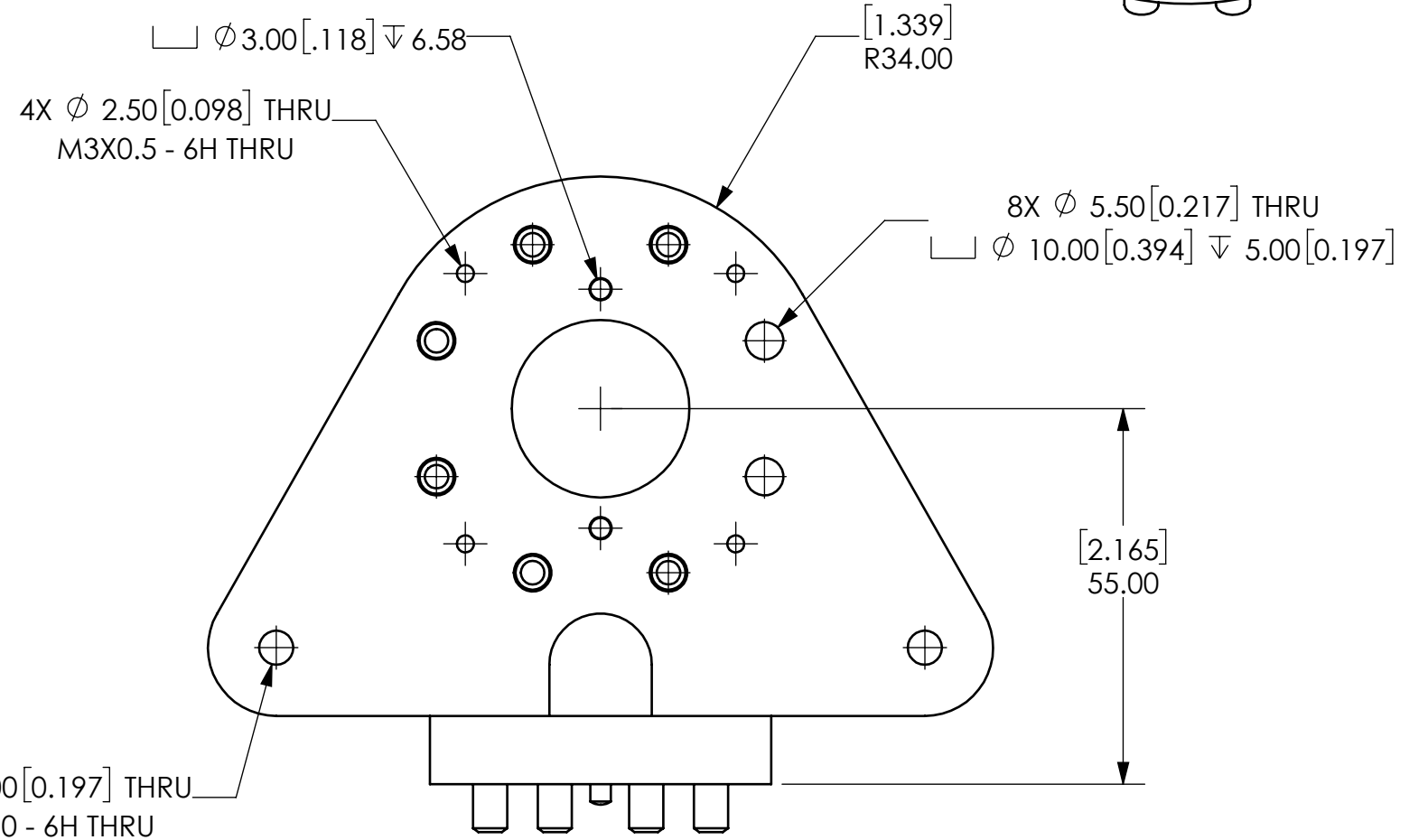
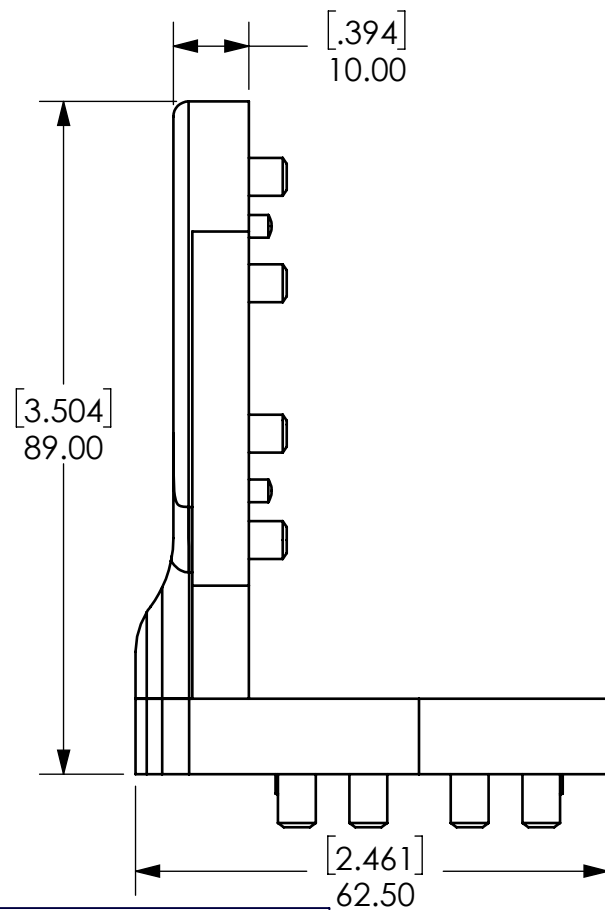
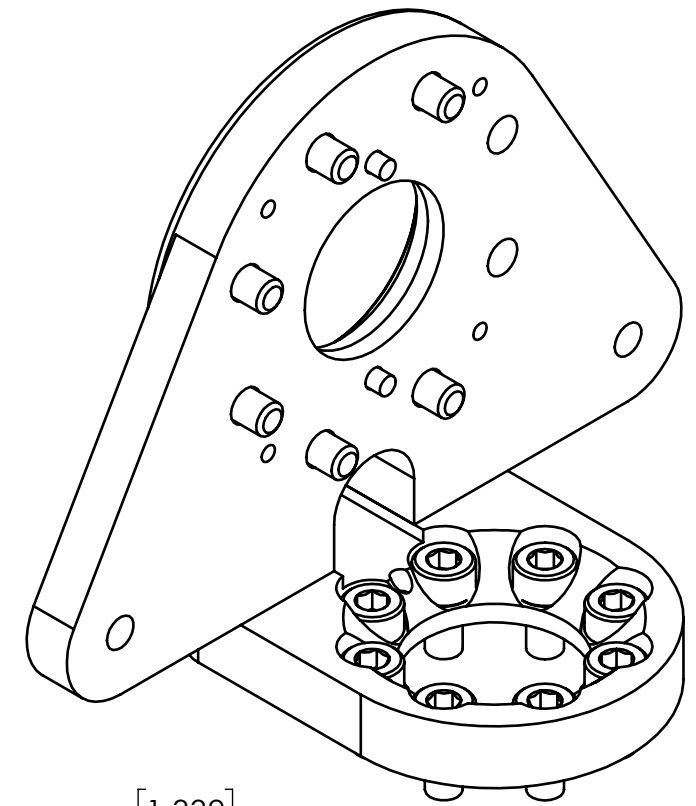
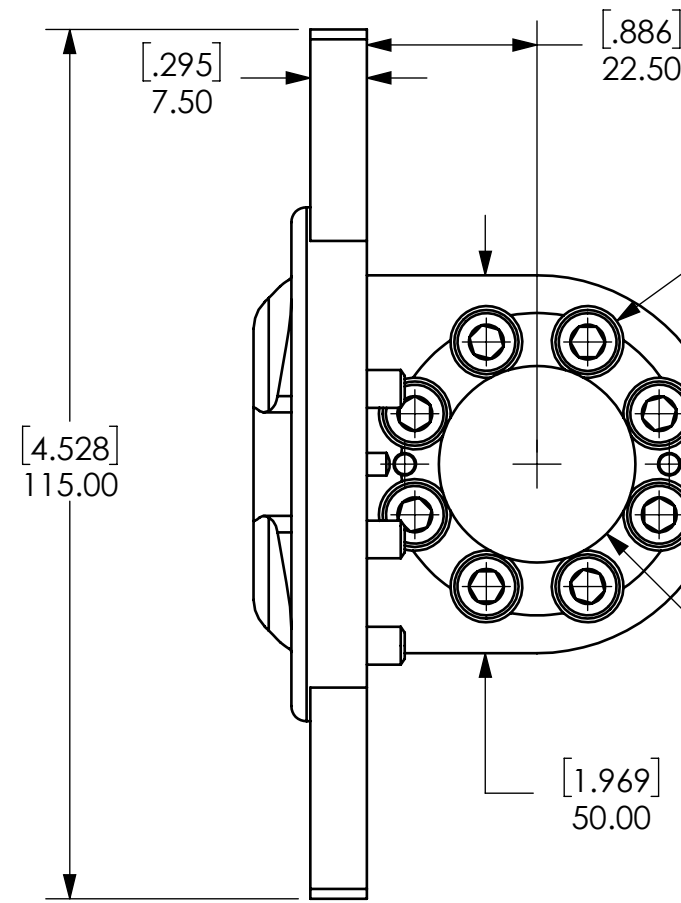
ITEM NO.	PART NUMBER	DESCRIPTION	left_Inside/ QTY.
1	PM-2517-01	Heavy Bracket Bottom	1
2	PM-2515-01	Heavy 90° Bracket	1
3	PP-2432-12	M6 SHCS, 12mm Length, Stainless Steel	2
4	PP-2410-10	M5 SHCS, 10mm Length, Stainless Steel	14
5	PP-2452-08	M3 Dowel Pin, 8mm Length, Stainless Steel	6

R-SERIES ACTUATOR  
SOLD SEPARATELY

THE INFORMATION CONTAINED IN THIS DRAWING IS THE SOLE PROPERTY OF HEBI ROBOTICS, INC. ANY REPRODUCTION IN PART OR WHOLE WITHOUT WRITTEN PERMISSION OF IS PROHIBITED.

AUTHORIZATION		<b>HEBI ROBOTICS, INC.</b>	
DFTG: H KIM	11 APR 2019	91 43rd St, Suite 200 Pittsburgh, PA 15201	
DSGMR: H KIM	11 APR 2019	PROJECT: R-Series Accessories	
CHKR:		Heavy 90° Bracket	
ENGR:			
UNLESS OTHERWISE SPECIFIED DIMENSIONS ARE IN MM		SIZE	REV
DO NOT SCALE DRAWING		<b>B</b>	<b>A.01</b>
TOLERANCES: X.X ±.30 X.XX ±.08 ANGLES ±1.00°		SCALE: 2:3	WEIGHT: 0.00 G
		SHEET 1 OF 8	FILE NAME: A-2221-01.SLDDRW

LEFT-INSIDE

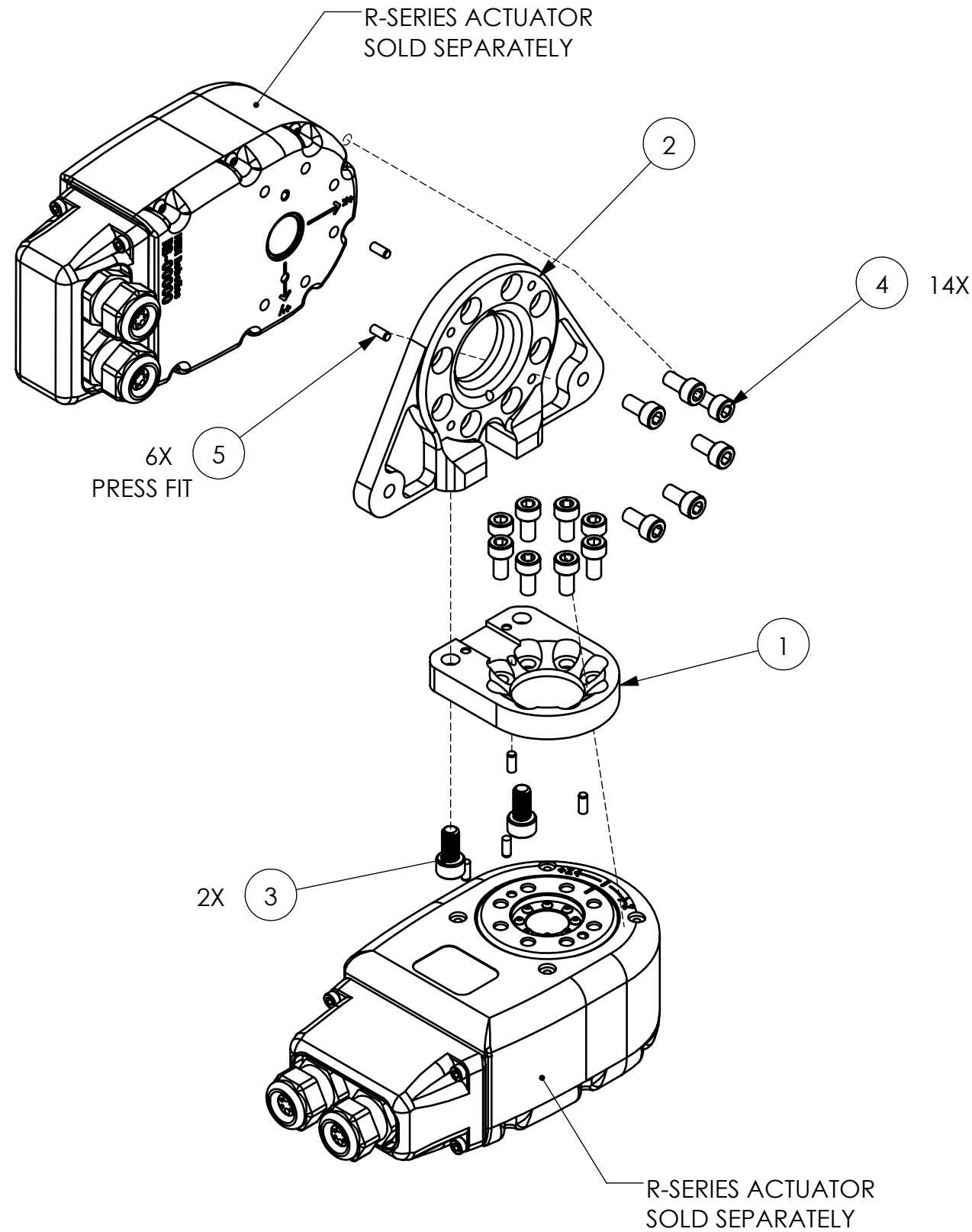


THE INFORMATION CONTAINED IN THIS DRAWING IS THE SOLE PROPERTY OF HEBI ROBOTICS, INC. ANY REPRODUCTION IN PART OR WHOLE WITHOUT WRITTEN PERMISSION IS PROHIBITED.

**HEBI ROBOTICS, INC.**  
 91 43rd Street, Suite 200  
 Pittsburgh, PA 15201

SIZE <b>B</b>	<b>A-2221-01</b>	REV <b>A.01</b>	VER
SCALE: 1:1	SHEET 2 OF 8		

**LEFT-OUTSIDE**



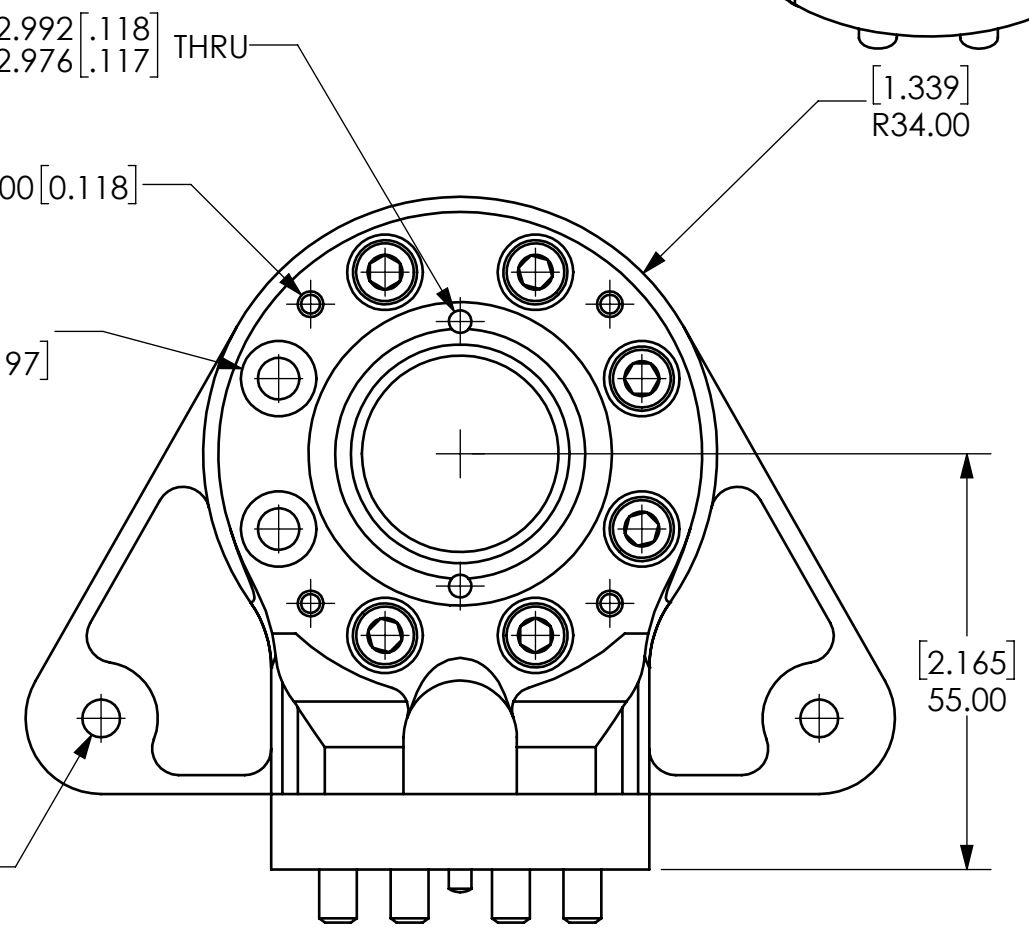
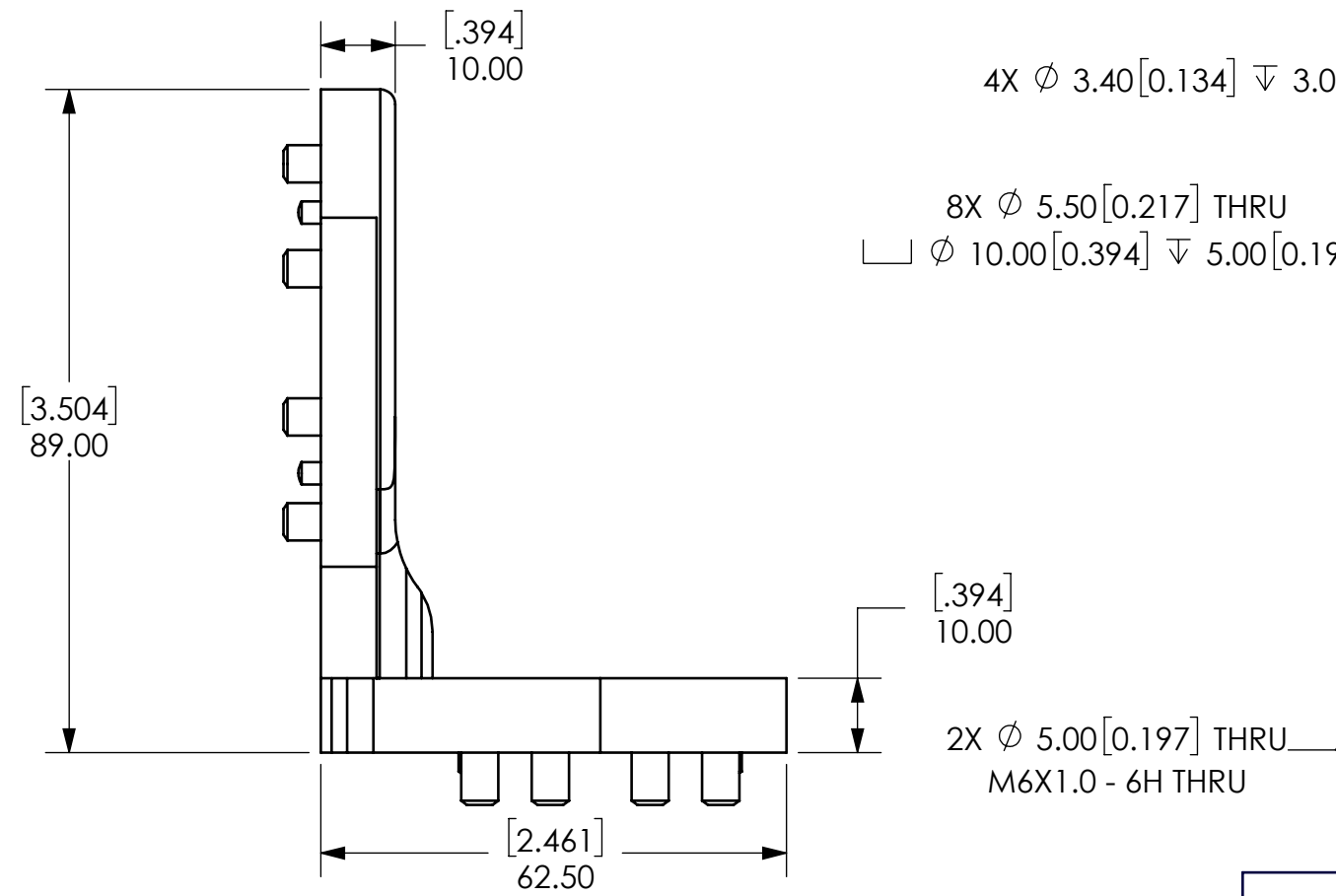
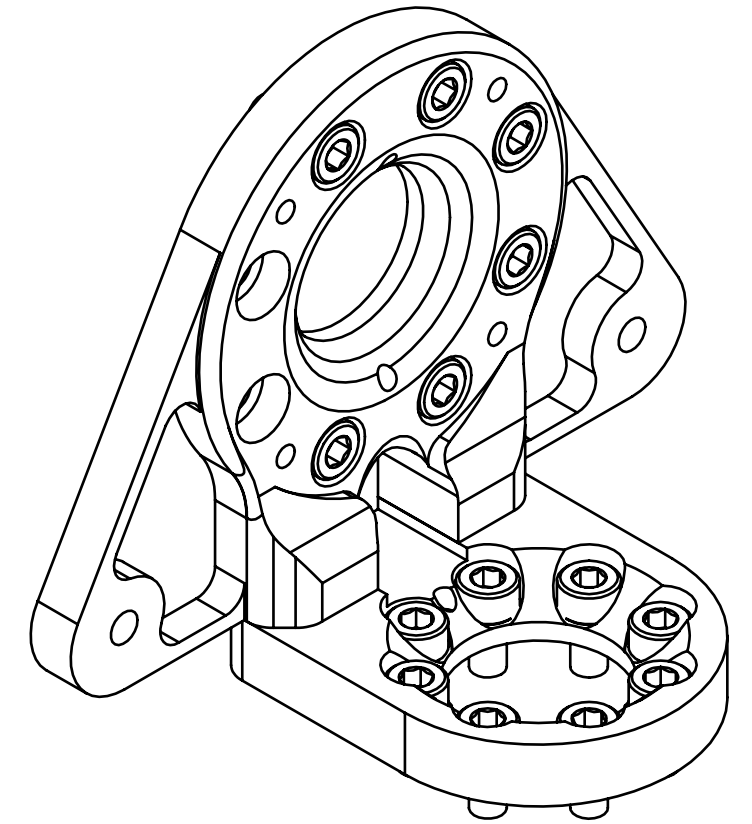
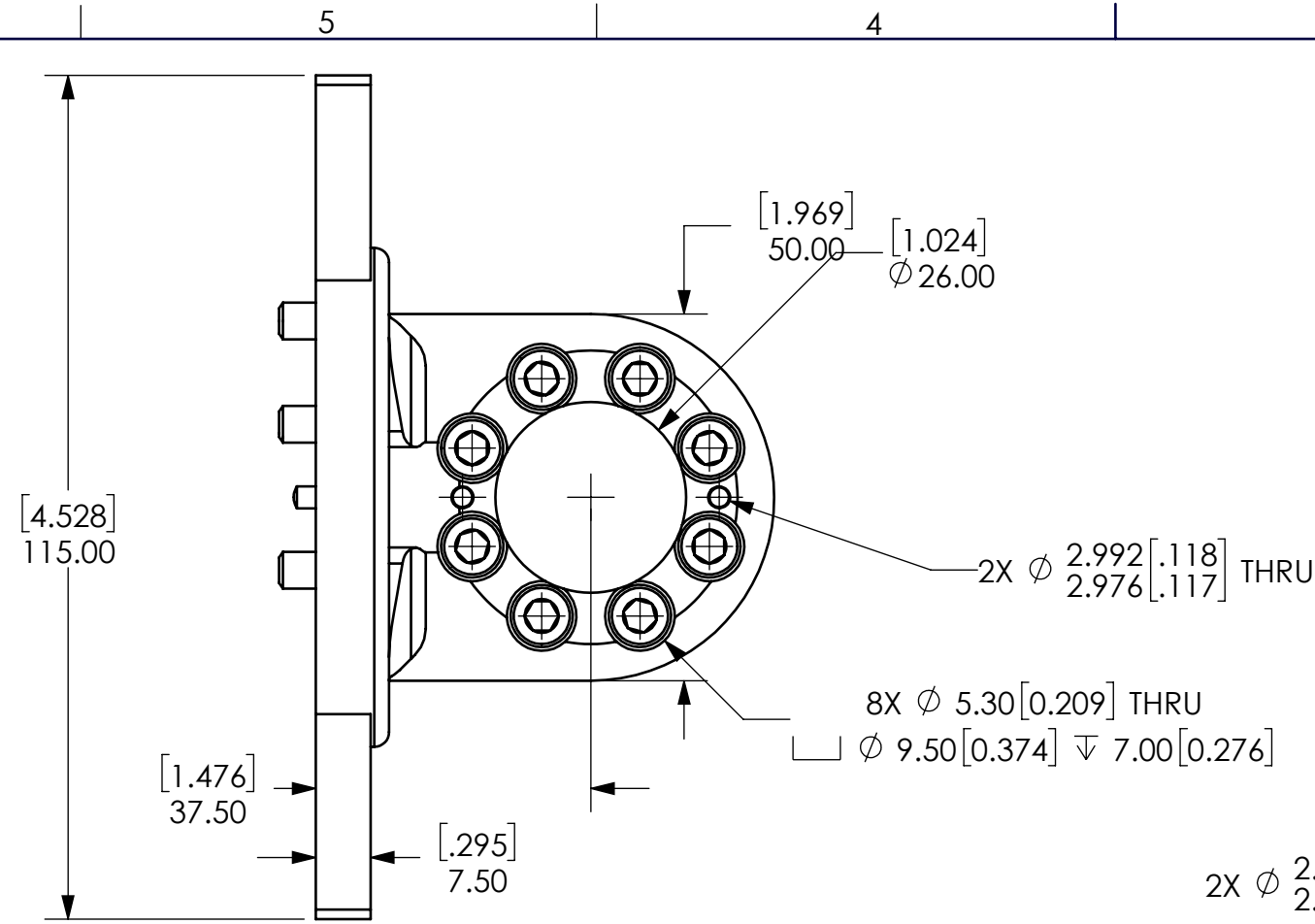
ITEM NO.	PART NUMBER	DESCRIPTION	left_outside/QTY.
1	PM-2517-01	Heavy Bracket Bottom	1
2	PM-2515-01	Heavy 90° Bracket	1
3	PP-2432-12	M6 SHCS, 12mm Length, Stainless Steel	2
4	PP-2410-10	M5 SHCS, 10mm Length, Stainless Steel	14
5	PP-2452-08	M3 Dowel Pin, 8mm Length, Stainless Steel	6

**HEBI ROBOTICS, INC.**  
 91 43rd Street, Suite 200  
 Pittsburgh, PA 15201

SIZE <b>B</b>	<b>A-2221-01</b>	REV <b>A.01</b>
SCALE: <b>1:2</b>	SHEET <b>3</b>	OF <b>8</b>

THE INFORMATION CONTAINED IN THIS DRAWING IS THE SOLE PROPERTY OF HEBI ROBOTICS, INC. ANY REPRODUCTION IN PART OR WHOLE WITHOUT WRITTEN PERMISSION IS PROHIBITED.

LEFT-OUTSIDE

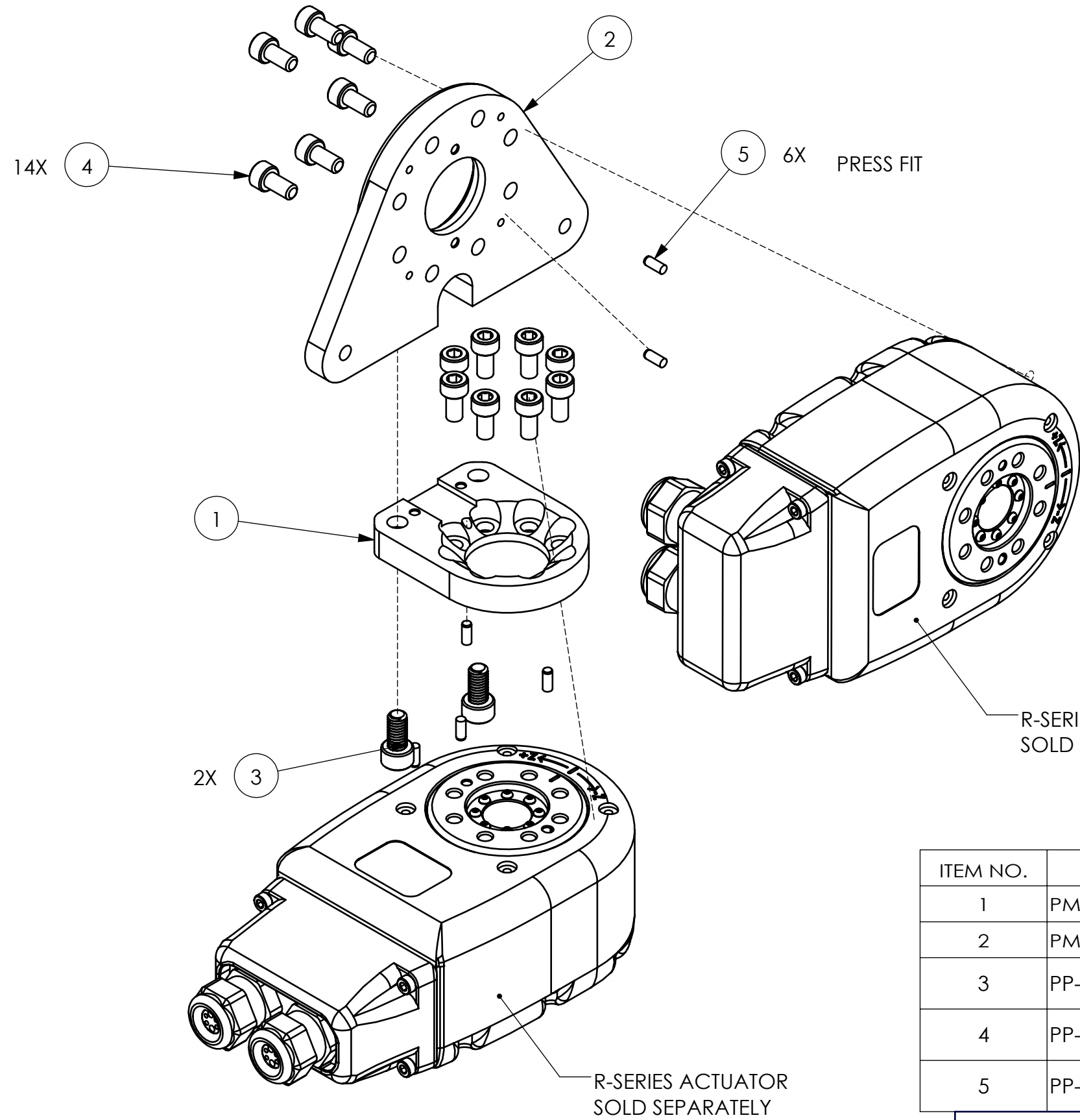


THE INFORMATION CONTAINED IN THIS DRAWING IS THE SOLE PROPERTY OF HEBI ROBOTICS, INC. ANY REPRODUCTION IN PART OR WHOLE WITHOUT WRITTEN PERMISSION IS PROHIBITED.

**HEBI ROBOTICS, INC.**  
91 43rd Street, Suite 200  
Pittsburgh, PA 15201

SIZE <b>B</b>	<b>A-2221-01</b>	REV <b>A.01</b>	VER
SCALE: 1:1	SHEET 4 OF 8		

**RIGHT-INSIDE**



ITEM NO.	PART NUMBER	DESCRIPTION	left_outside/QTY.
1	PM-2517-01	Heavy Bracket Bottom	1
2	PM-2515-01	Heavy 90° Bracket	1
3	PP-2432-12	M6 SHCS, 12mm Length, Stainless Steel	2
4	PP-2410-10	M5 SHCS, 10mm Length, Stainless Steel	14
5	PP-2452-08	M3 Dowel Pin, 8mm Length, Stainless Steel	6

**HEBI ROBOTICS, INC.**  
 91 43rd Street, Suite 200  
 Pittsburgh, PA 15201

SIZE <b>B</b>	<b>A-2221-01</b>	REV <b>A.01</b>
SCALE: <b>2:3</b>	SHEET <b>5</b> OF <b>8</b>	

THE INFORMATION CONTAINED IN THIS DRAWING IS THE SOLE PROPERTY OF HEBI ROBOTICS, INC. ANY REPRODUCTION IN PART OR WHOLE WITHOUT WRITTEN PERMISSION IS PROHIBITED.

RIGHT-INSIDE

[.295]  
7.50

[.886]  
22.50

[4.528]  
115.00

[.394]  
10.00

[3.504]  
89.00

[2.461]  
62.50

[.394]  
10.00

8X  $\phi$  5.30 [0.209] THRU  
 $\square$   $\phi$  9.50 [0.374]  $\nabla$  7.00 [0.276]

2X  $\phi$  2.992 [.118]  
2.976 [.117] THRU

[.984]  
R25.00

[1.024]  
 $\phi$  26.00

2X  $\phi$  2.95  $\pm$  0.030 [0.116  $\pm$  .001] THRU

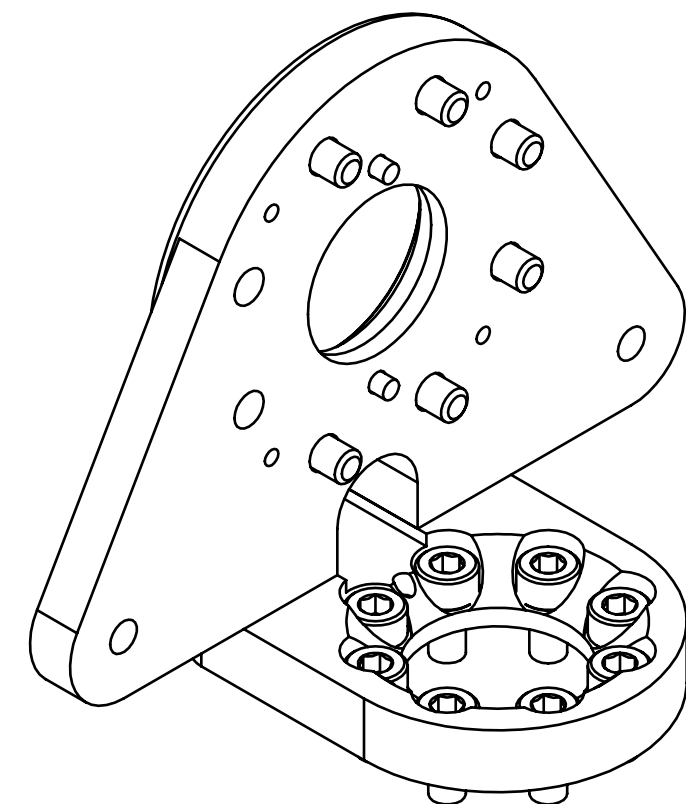
4X  $\phi$  2.50 [0.098] THRU  
M3X0.5 - 6H THRU

[1.339]  
R34.00

8X  $\phi$  5.50 [0.217] THRU  
 $\square$   $\phi$  10.00 [0.394]  $\nabla$  5.00 [0.197]

[2.165]  
55.00

2X  $\phi$  5.00 [0.197] THRU  
M6X1.0 - 6H THRU



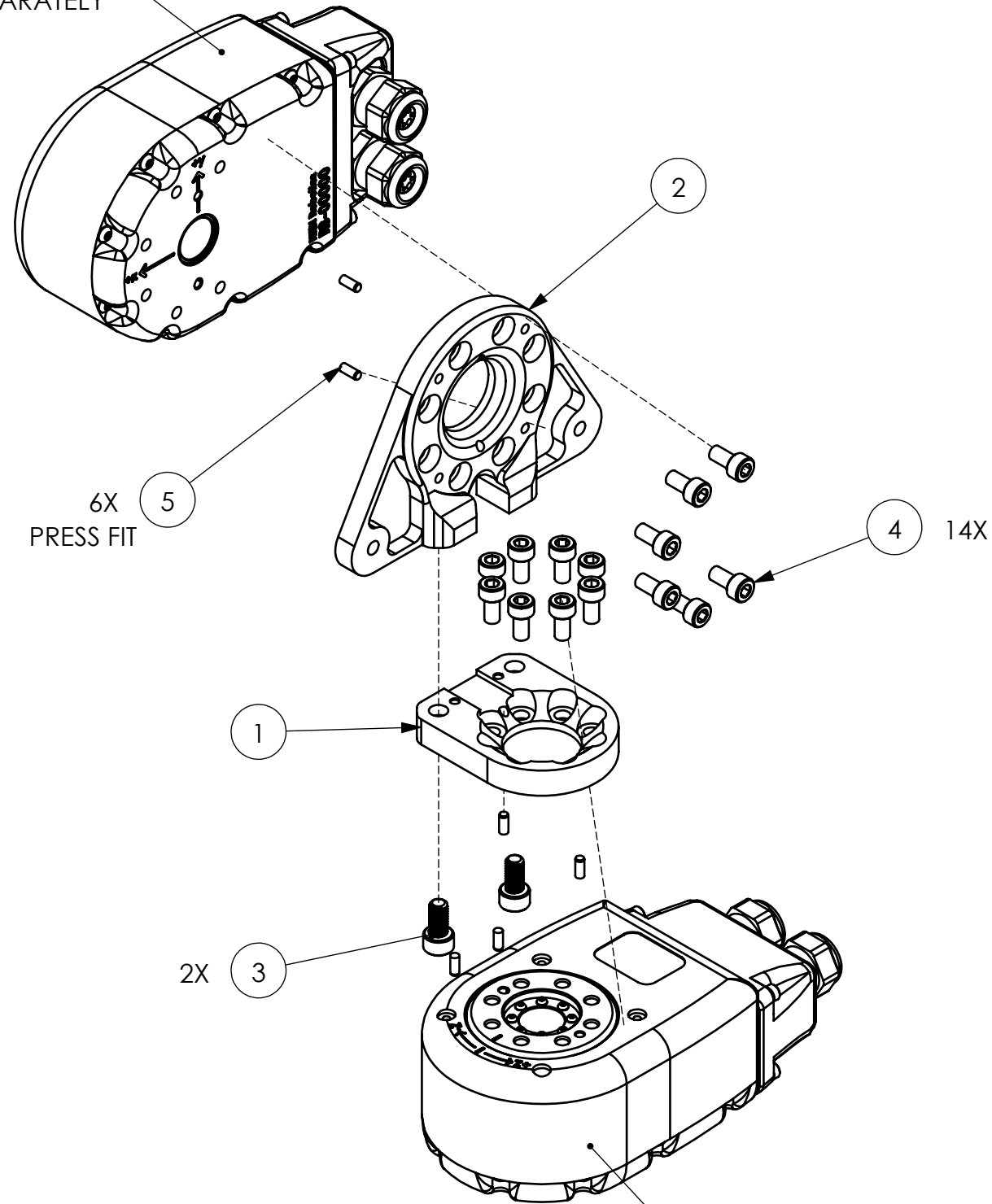
**HEBI ROBOTICS, INC.**  
91 43rd Street, Suite 200  
Pittsburgh, PA 15201

SIZE <b>B</b>	<b>A-2221-01</b>	REV <b>A.01</b>	VER
SCALE: <b>1:1</b>	SHEET <b>6</b> OF <b>8</b>		

THE INFORMATION CONTAINED IN THIS DRAWING IS THE SOLE PROPERTY OF HEBI ROBOTICS, INC. ANY REPRODUCTION IN PART OR WHOLE WITHOUT WRITTEN PERMISSION IS PROHIBITED.

**RIGHT-INSIDE**

R-SERIES ACTUATOR  
SOLD SEPARATELY



R-SERIES ACTUATOR  
SOLD SEPARATELY

ITEM NO.	PART NUMBER	DESCRIPTION	left_outside/QTY.
1	PM-2517-01	Heavy Bracket Bottom	1
2	PM-2515-01	Heavy 90° Bracket	1
3	PP-2432-12	M6 SHCS, 12mm Length, Stainless Steel	2
4	PP-2410-10	M5 SHCS, 10mm Length, Stainless Steel	14
5	PP-2452-08	M3 Dowel Pin, 8mm Length, Stainless Steel	6

**HEBI ROBOTICS, INC.**  
91 43rd Street, Suite 200  
Pittsburgh, PA 15201

SIZE <b>B</b>	<b>A-2221-01</b>	REV <b>A.01</b>
SCALE: <b>1:2</b>	SHEET <b>7</b> OF <b>8</b>	

THE INFORMATION CONTAINED IN THIS DRAWING IS THE SOLE PROPERTY OF HEBI ROBOTICS, INC. ANY REPRODUCTION IN PART OR WHOLE WITHOUT WRITTEN PERMISSION IS PROHIBITED.

RIGHT-OUTSIDE

[4.528]  
115.00

[3.504]  
89.00

[2.461]  
62.50

[.394]  
10.00

[.394]  
10.00

[.295]  
7.50

[1.476]  
37.50

[.984]  
R25.00

[1.024]  
Ø 26.00

8X Ø 5.30 [0.209] THRU  
Ø 9.50 [0.374] ▽ 7.00 [0.276]

2X Ø 2.992 [.118]  
2.976 [.117] THRU

4X M3 TAPPED HOLES FOR COVER

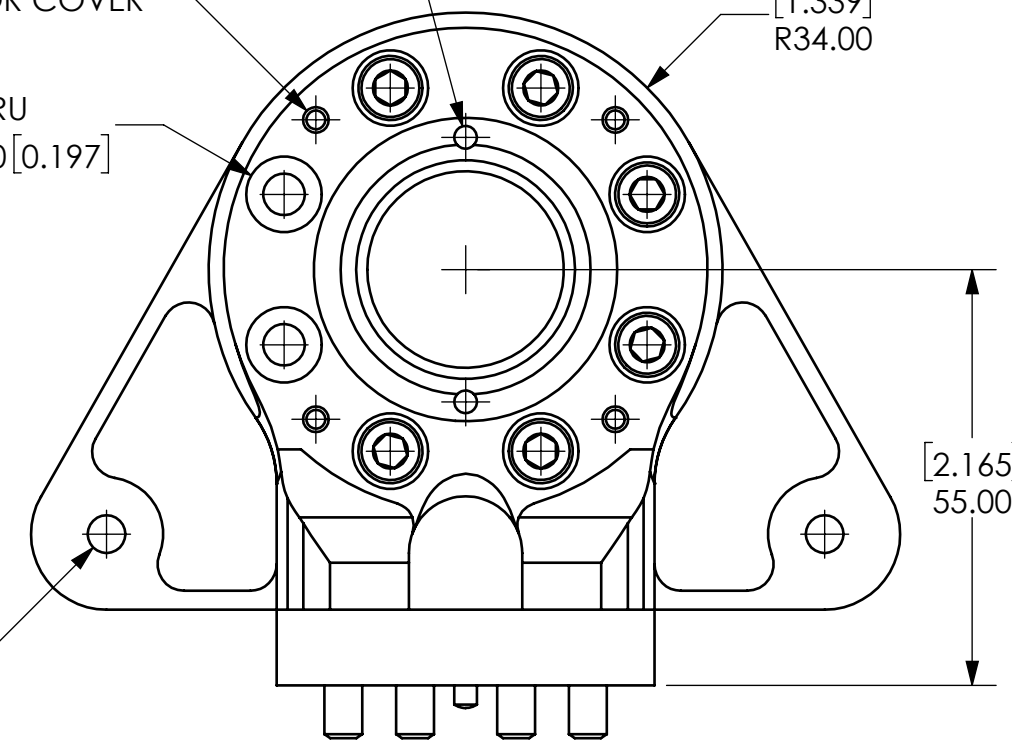
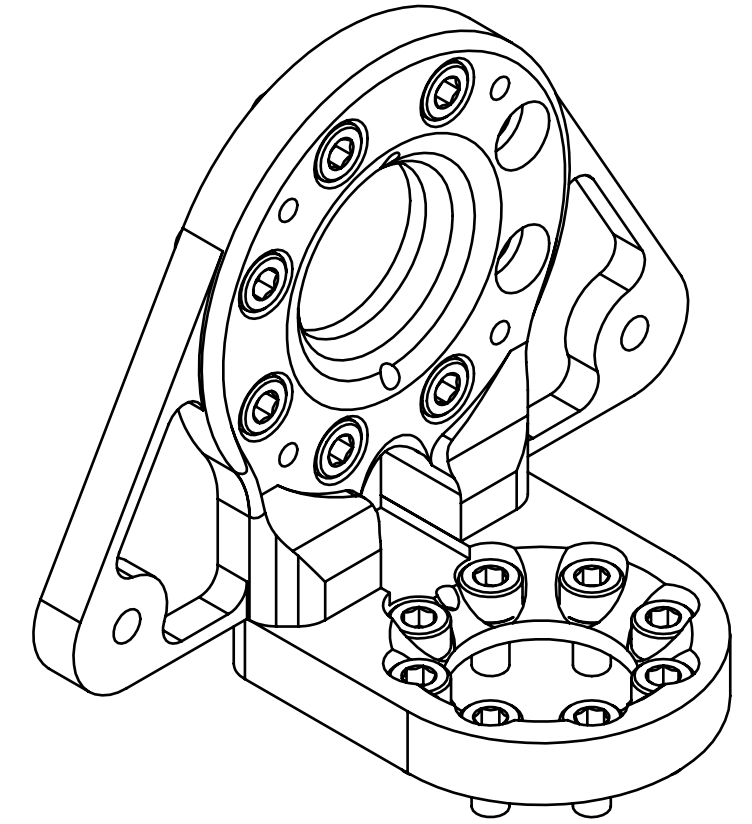
8X Ø 5.50 [0.217] THRU  
Ø 10.00 [0.394] ▽ 5.00 [0.197]

2X Ø 5.00 [0.197] THRU  
M6X1.0 - 6H THRU

2X Ø 2.992 [.118]  
2.976 [.117] THRU

[1.339]  
R34.00

[2.165]  
55.00



THE INFORMATION CONTAINED IN THIS DRAWING IS THE SOLE PROPERTY OF HEBI ROBOTICS, INC. ANY REPRODUCTION IN PART OR WHOLE WITHOUT WRITTEN PERMISSION IS PROHIBITED.

**HEBI ROBOTICS, INC.**  
91 43rd Street, Suite 200  
Pittsburgh, PA 15201

SIZE <b>B</b>	<b>A-2221-01</b>	REV <b>A.01</b>	VER
SCALE: <b>1:1</b>	SHEET <b>8</b> OF <b>8</b>		