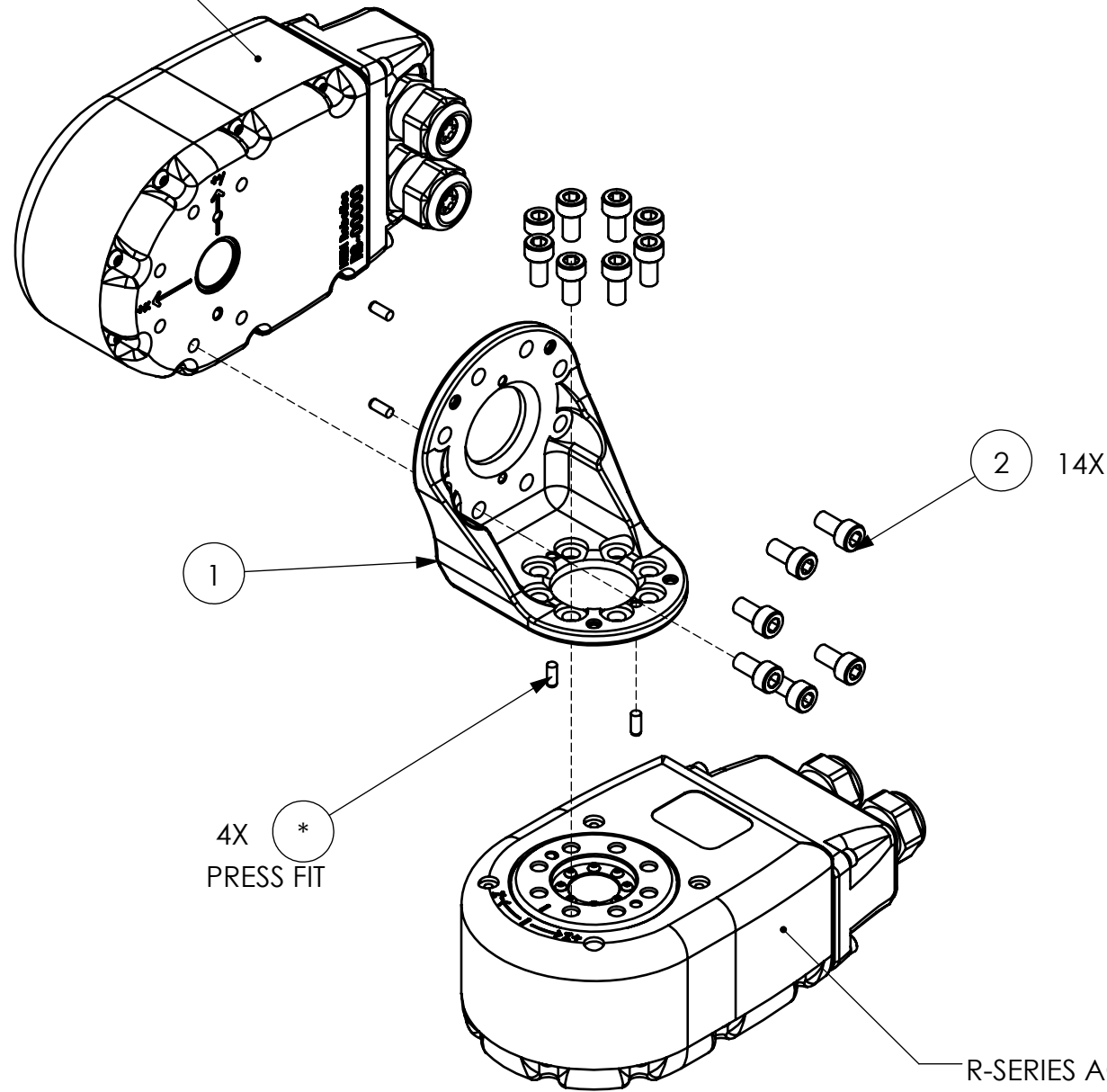


RIGHT CONFIGURATION

REVISIONS			
REV.	DESCRIPTION	DATE	APPROVED
A.01	INITIAL DRAFTING AND LAYOUT.	26 APR 2019	H KIM

R-SERIES ACTUATOR
SOLD SEPARATELY



NOTE: TOTAL WEIGHT EXCLUDES R-SERIES ACTUATORS (SEE CONFIGURATION ON SHEET 2)

ITEM NO.	PART NUMBER	DESCRIPTION	right/QTY.
1	PM-2514-01	Light 90° Bracket	1
2	PP-2410-10	M5 SHCS, 10mm Length, Stainless Steel	14
3	PP-2452-08	M3 Dowel Pin, 8mm Length, Stainless Steel	4

R-SERIES ACTUATOR
SOLD SEPARATELY

AUTHORIZATION

DFTG:	H KIM	11 APR 2019
DSGMR:	H KIM	11 APR 2019
CHKR:		
ENGR:		

HEBI ROBOTICS, INC.

91 43rd St, Suite 200
Pittsburgh, PA 15201

PROJECT: R-Series Accessories

Light 90° Bracket Assembly

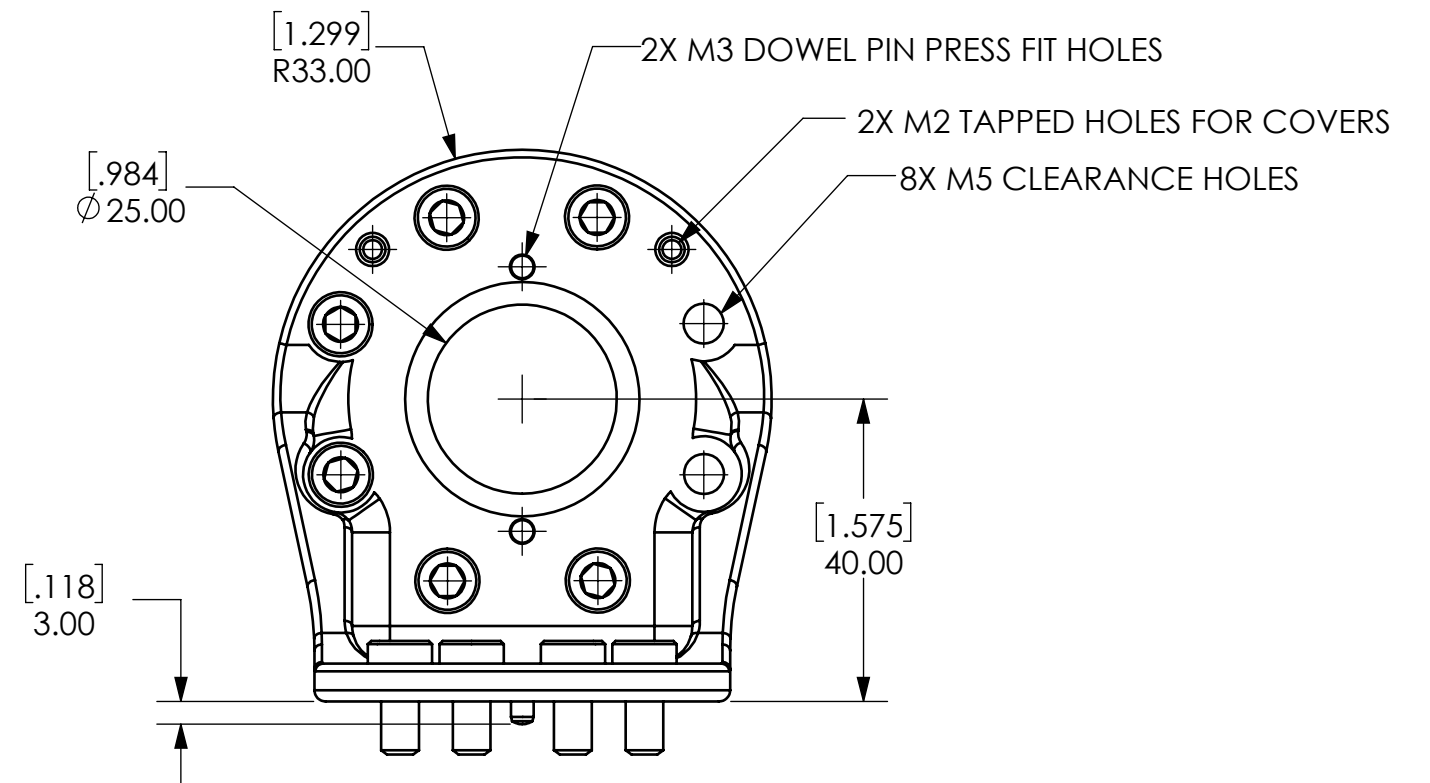
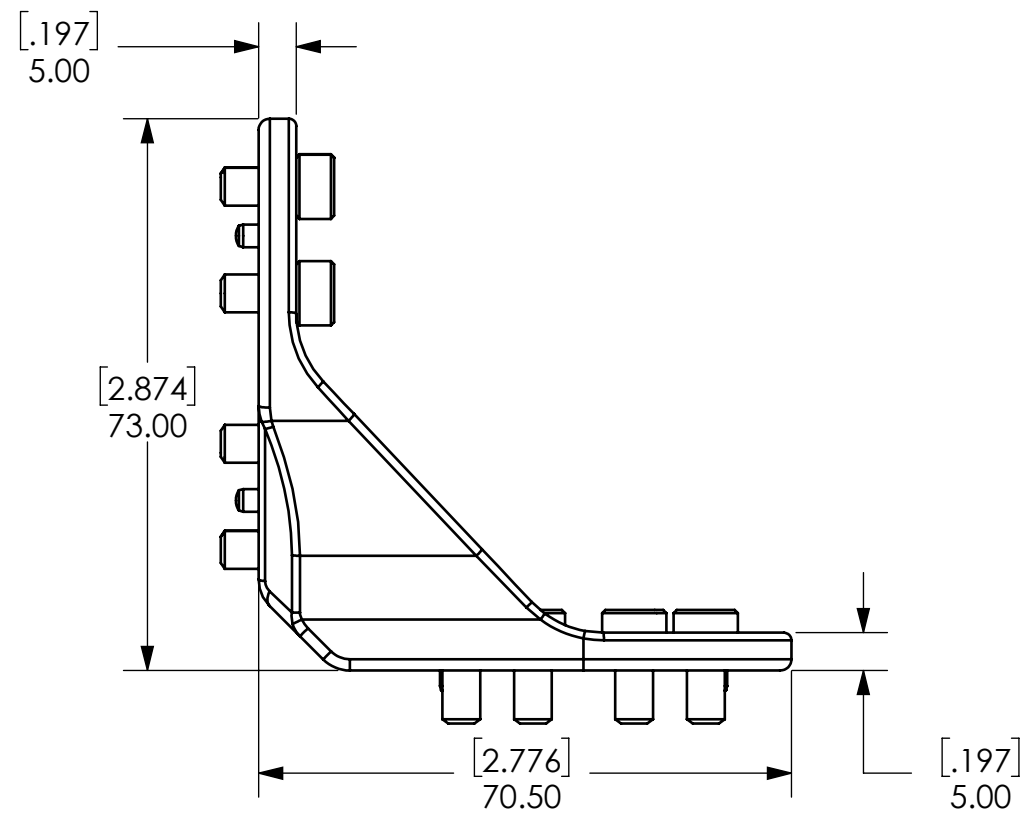
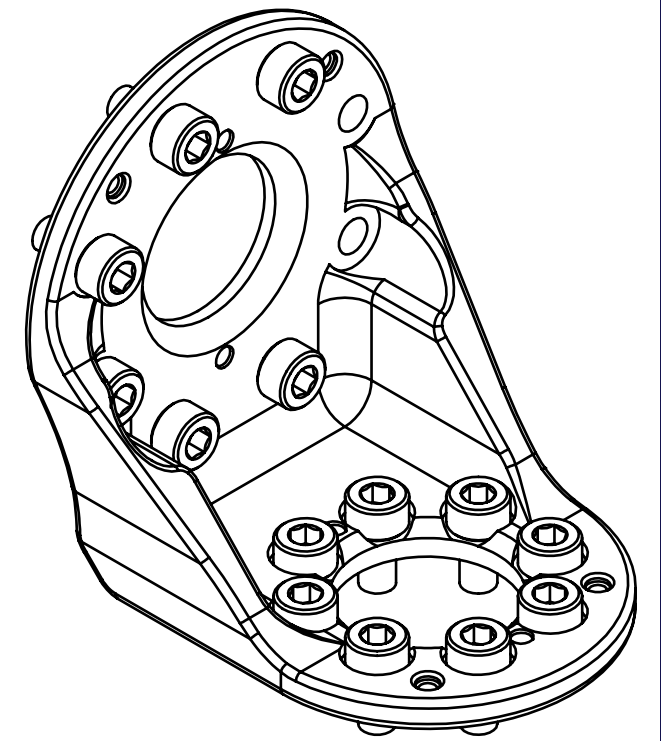
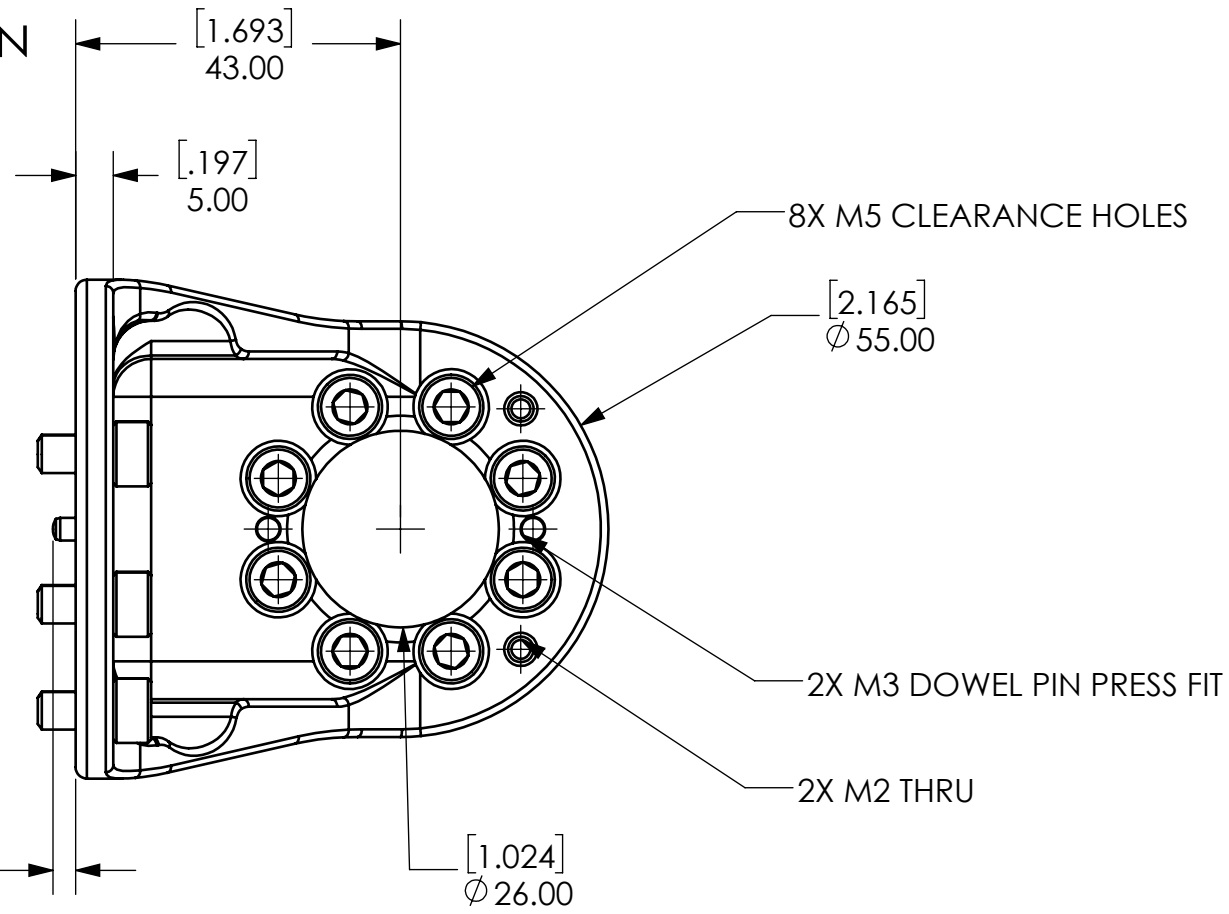
UNLESS OTHERWISE SPECIFIED
DIMENSIONS ARE IN MM
DO NOT SCALE DRAWING

TOLERANCES:	X.X	±.30
	X.XX	±.08
	ANGLES	±1.00°

SIZE	A-2220-01	REV	VER
B		A.01	
SCALE:	1:2	WEIGHT: 140.63 G	SHEET 1 OF 4

THE INFORMATION CONTAINED IN THIS DRAWING IS THE SOLE PROPERTY OF HEBI ROBOTICS, INC. ANY REPRODUCTION IN PART OR WHOLE WITHOUT WRITTEN PERMISSION OF IS PROHIBITED.

RIGHT CONFIGURATION



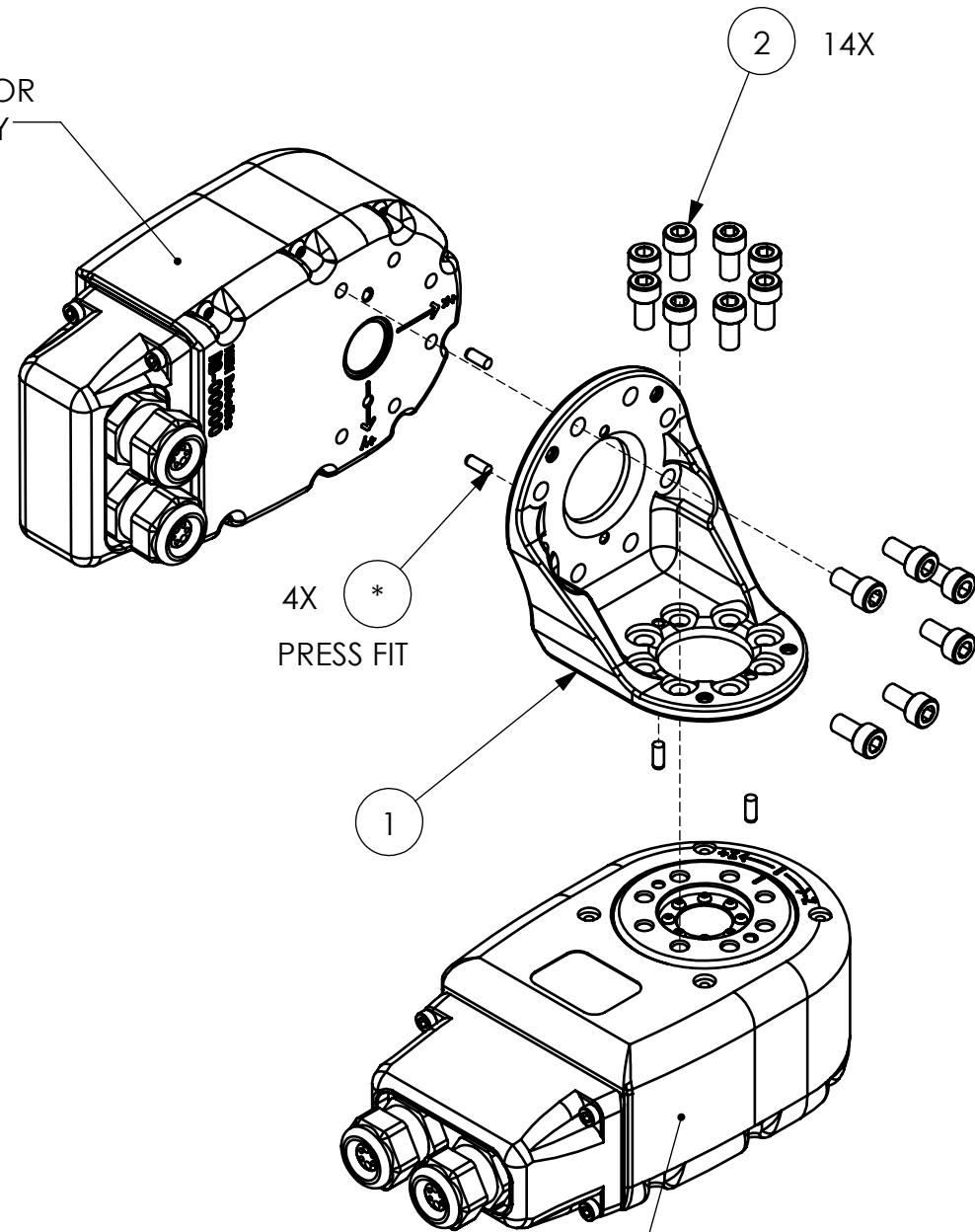
THE INFORMATION CONTAINED IN THIS DRAWING IS THE SOLE PROPERTY OF HEBI ROBOTICS, INC. ANY REPRODUCTION IN PART OR WHOLE WITHOUT WRITTEN PERMISSION IS PROHIBITED.

HEBI ROBOTICS, INC.
 91 43rd Street, Suite 200
 Pittsburgh, PA 15201

SIZE B	A-2220-01	REV A.01	VER
SCALE: 1:1	SHEET 2 OF 4		

LEFT CONFIGURATION

R-SERIES ACTUATOR
SOLD SEPARATELY



R-SERIES ACTUATOR
SOLD SEPARATELY

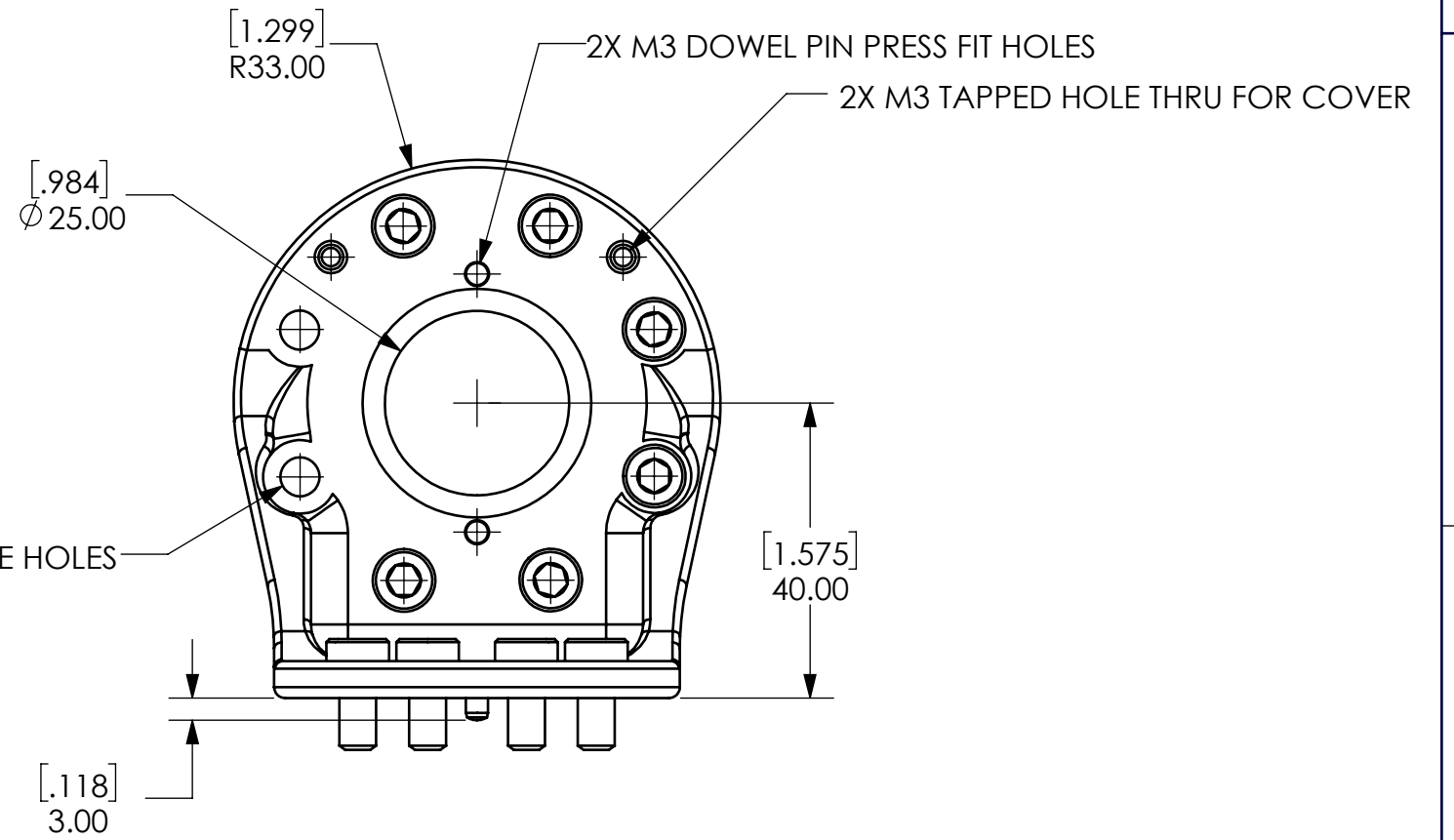
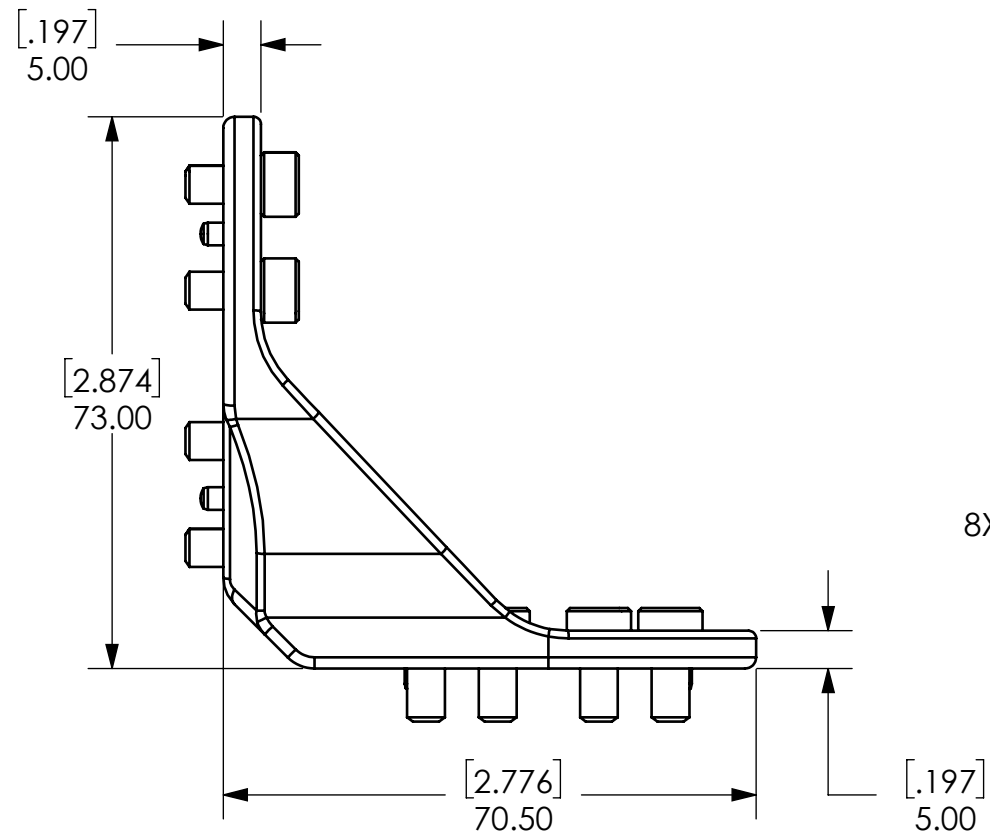
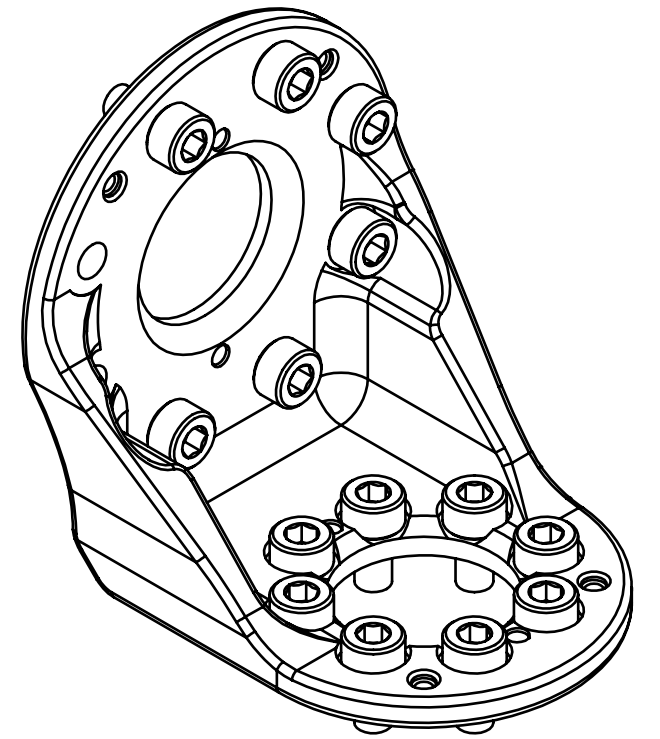
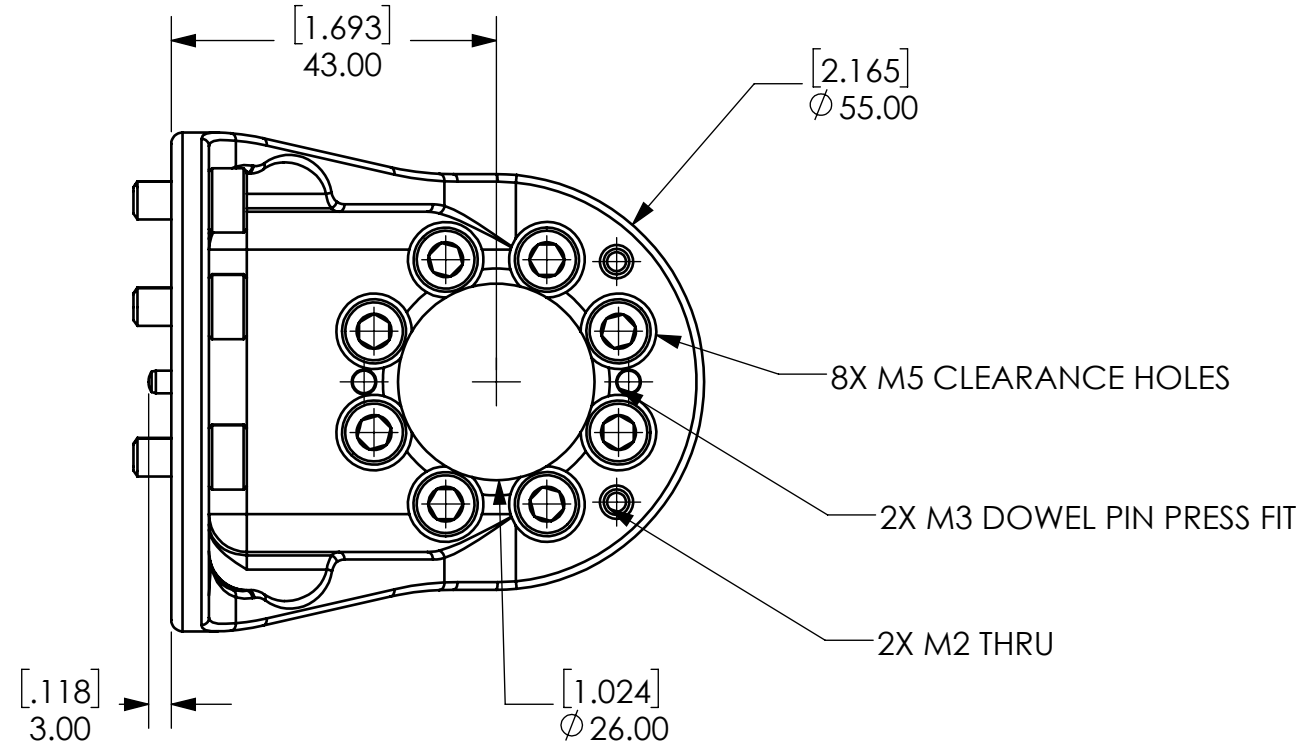
ITEM NO.	PART NUMBER	DESCRIPTION	left/QTY.
1	PM-2514-01	Light 90° Bracket	1
2	PP-2410-10	M5 SHCS, 10mm Length, Stainless Steel	14
3	PP-2452-08	M3 Dowel Pin, 8mm Length, Stainless Steel	4

HEBI ROBOTICS, INC.
91 43rd Street, Suite 200
Pittsburgh, PA 15201

SIZE B	A-2220-01	REV A.01
SCALE: 1:2	SHEET 3 OF 4	

THE INFORMATION CONTAINED IN THIS DRAWING IS THE SOLE PROPERTY OF HEBI ROBOTICS, INC. ANY REPRODUCTION IN PART OR WHOLE WITHOUT WRITTEN PERMISSION IS PROHIBITED.

LEFT CONFIGURATION



THE INFORMATION CONTAINED IN THIS DRAWING IS THE SOLE PROPERTY OF HEBI ROBOTICS, INC. ANY REPRODUCTION IN PART OR WHOLE WITHOUT WRITTEN PERMISSION IS PROHIBITED.

HEBI ROBOTICS, INC.
 91 43rd Street, Suite 200
 Pittsburgh, PA 15201

SIZE B	A-2220-01	REV A.01	VER
SCALE: 1:1	SHEET 4 OF 4		