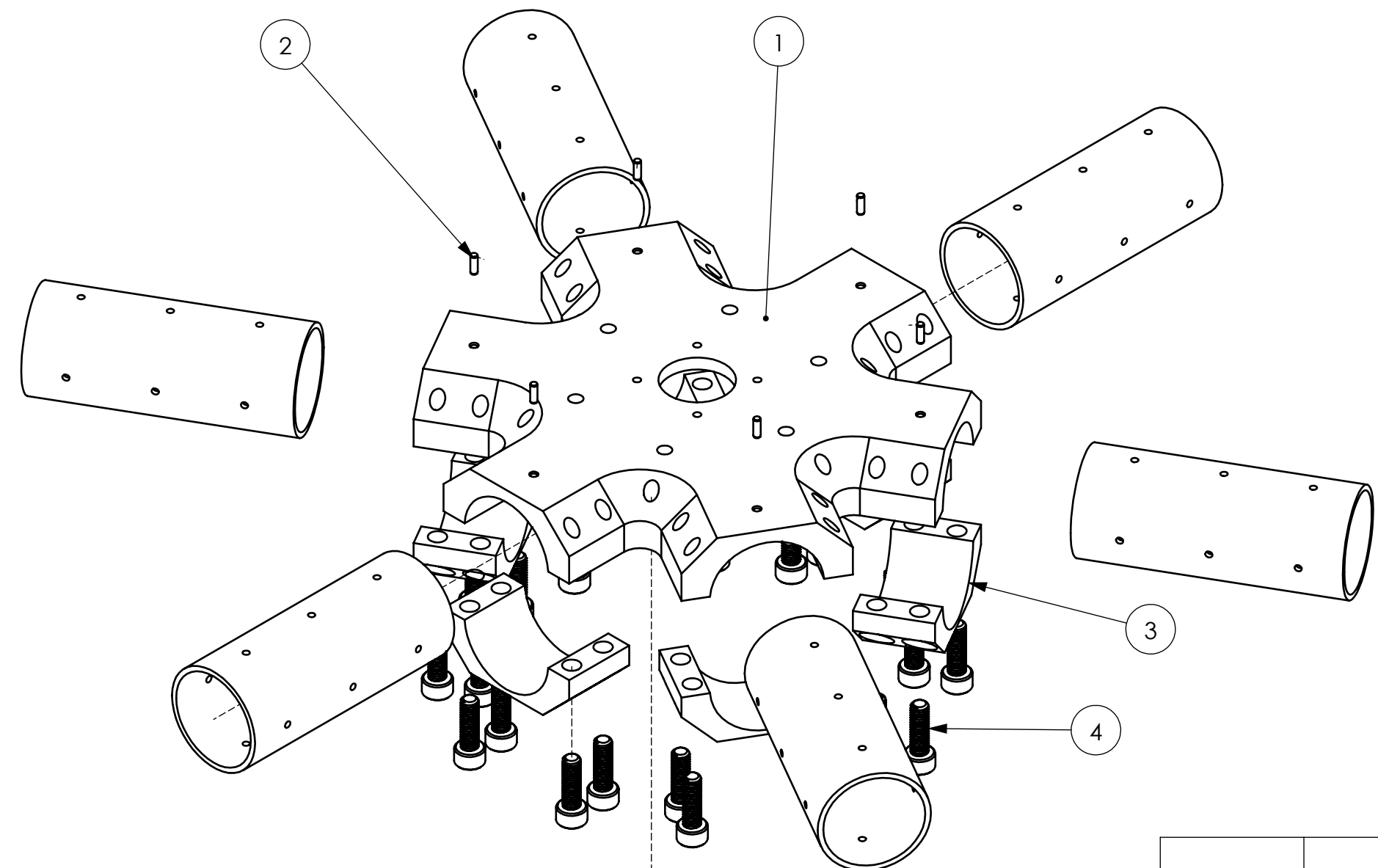


6 5 4 3 2 1

REVISIONS			
REV.	DESCRIPTION	DATE	APPROVED
A.01	INITIAL DRAFTING AND LAYOUT.	22 SEP 2017	H KIM
A.02	ADDED COVER IN THE ASSEMBLY	1 JUL 2019	H KIM
A.03	REPLACED BLACK OXIDE SCREWS TO STAINLESS STEEL	27 AUG 2019	H KIM

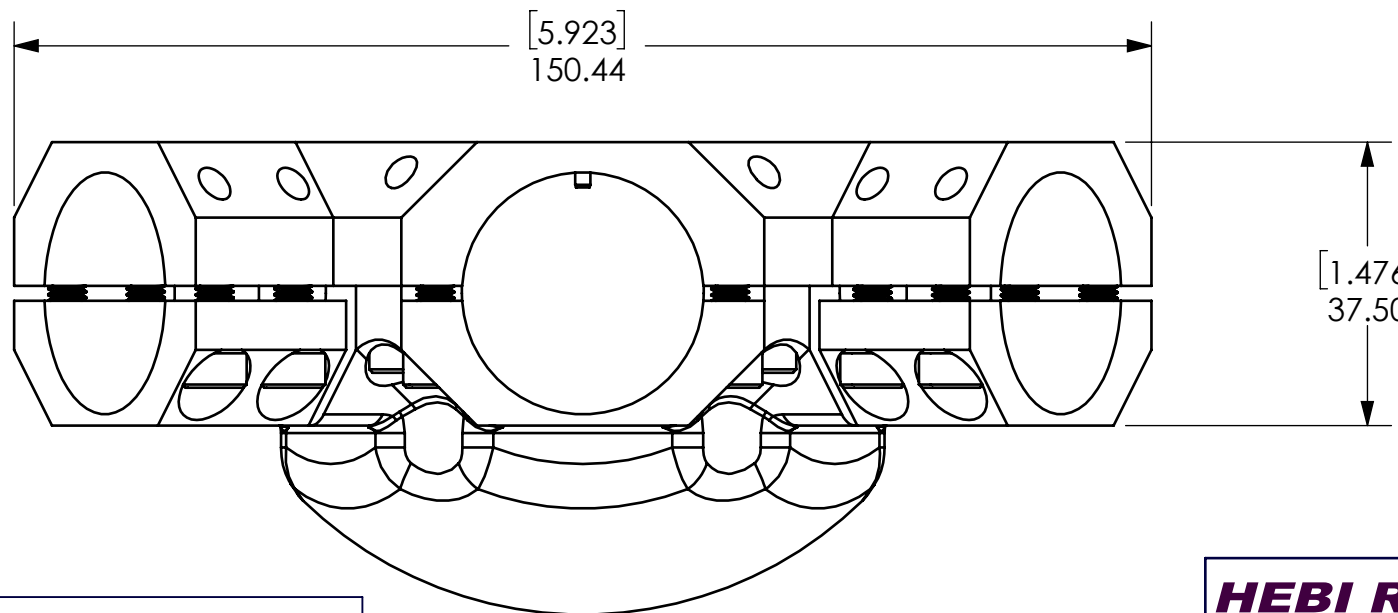
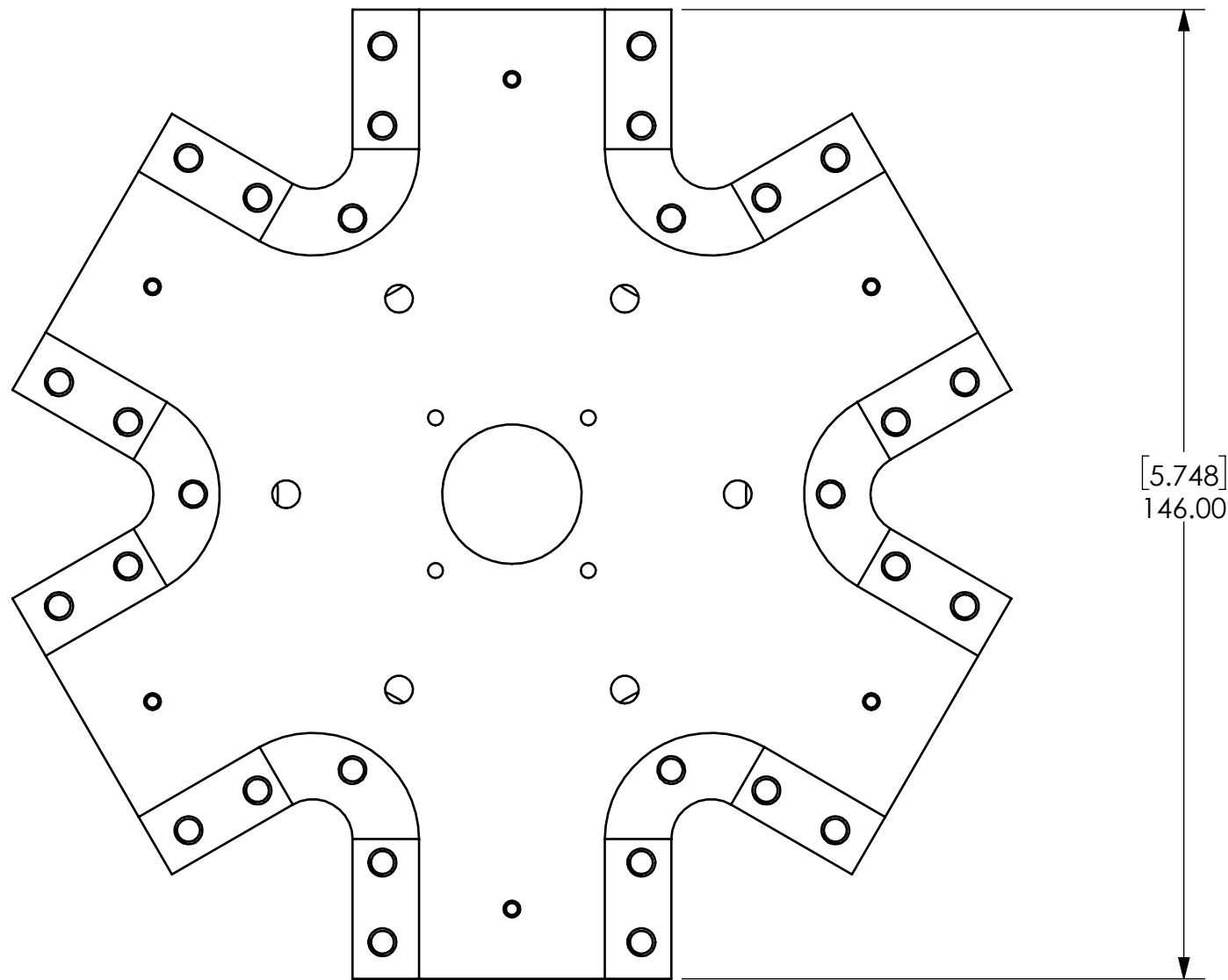


ITEM NO.	PART NUMBER	DESCRIPTION	With Tubes/Default/QTY.
1	PM-2205-01	6 TUBE MOUNT	1
2	PP-2136-06	M2 Dowel Pin, 6mm Length, SS	6
3	PM-2148-01	Tube Clamp	6
4	PP-2410-16	M5 SHCS, 16mm Length, Stainless Steel	24

AUTHORIZATION DFTG: H KIM 15 SEP 2017 DSGNR: H KIM 15 SEP 2017 CHKR: ENGR:		HEBI ROBOTICS, INC. 91 43rd St, Suite 200 Pittsburgh, PA 15201 PROJECT: X-Series Accessories	
Six Tube Adaptor			
UNLESS OTHERWISE SPECIFIED DIMENSIONS ARE IN MM DO NOT SCALE DRAWING	SIZE B	REV A-2095-01	VER A.03
TOLERANCES: X.X ±.30 X.XX ±.08 ANGLES ±1.00°	SCALE: 1:1.5	WEIGHT: 447.261 G	SHEET 1 OF 2

THE INFORMATION CONTAINED IN THIS DRAWING IS THE SOLE PROPERTY OF HEBI ROBOTICS, INC. ANY REPRODUCTION IN PART OR WHOLE WITHOUT WRITTEN PERMISSION OF IS PROHIBITED.

6 5 4 3 2 1 FILE NAME: A-2095-01.SLDDRW



THE INFORMATION CONTAINED IN THIS DRAWING IS THE SOLE PROPERTY OF HEBI ROBOTICS, INC. ANY REPRODUCTION IN PART OR WHOLE WITHOUT WRITTEN PERMISSION IS PROHIBITED.

HEBI ROBOTICS, INC.
5001 Baum Blvd, Suite 780
Pittsburgh, PA 15213

SIZE B	A-2095-01	REV A.03	VER
SCALE: 1:1		SHEET 2	OF 2