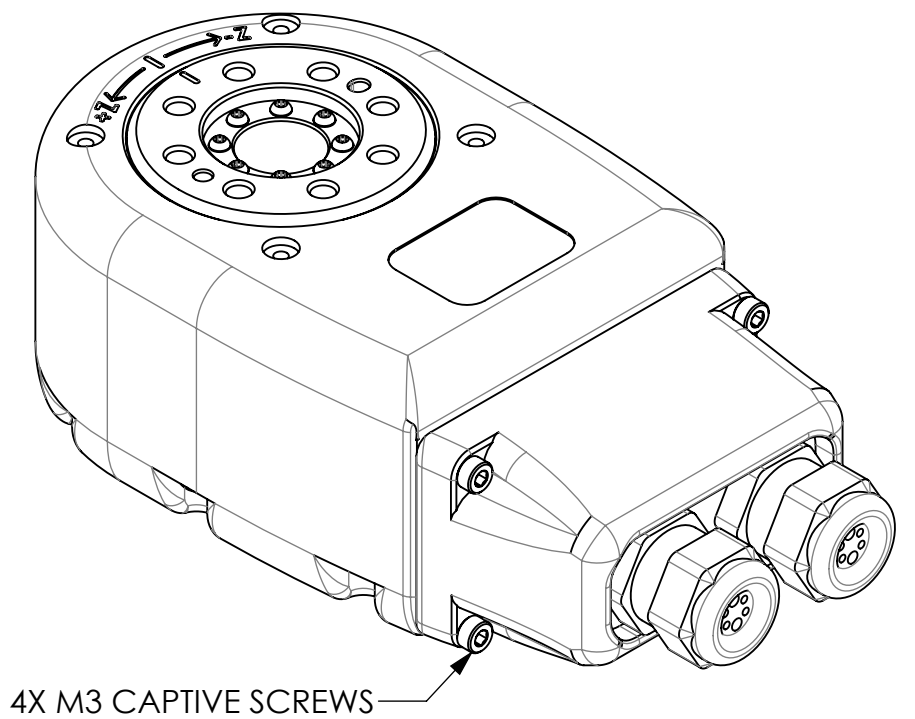


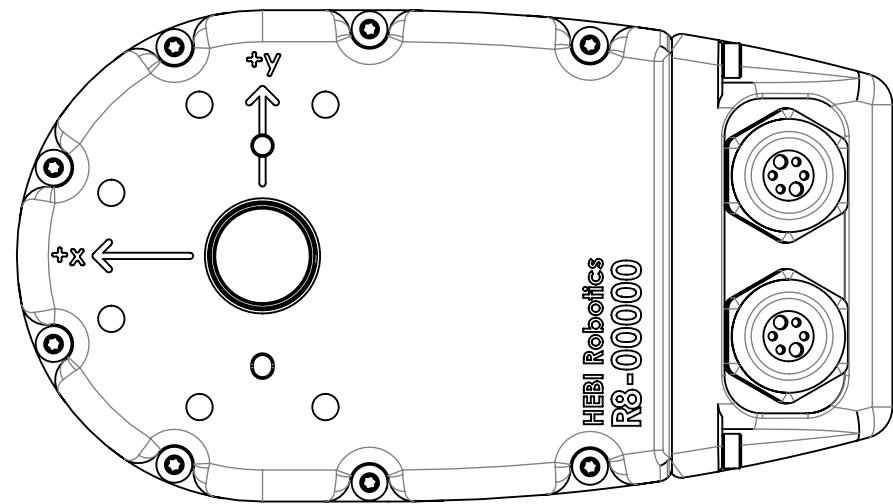
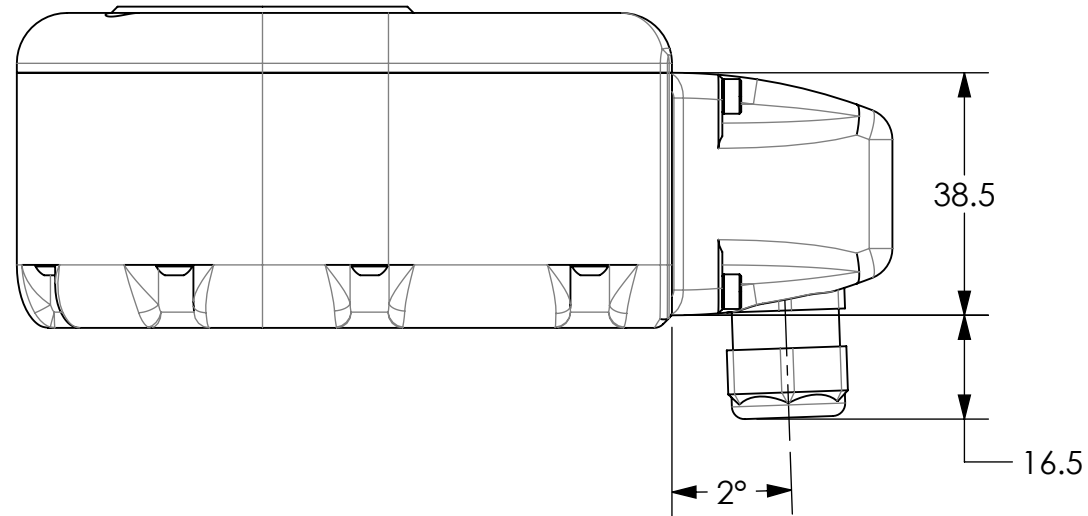
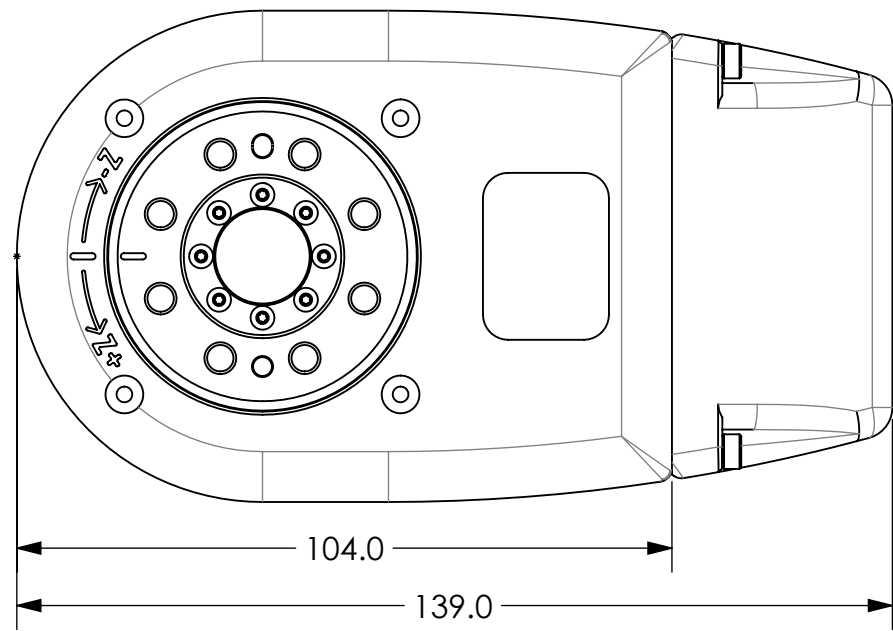
REVISIONS			
REV.	DESCRIPTION	DATE	APPROVED
A.01	INITIAL DRAFTING AND LAYOUT	25 JUNE 2019	A WILLIG
B.01	ADDED COUNTERBORE TAPPED HOLES TO FRONT PLATE. ADDED RIGHT ANGLE CONNECTOR SHEET.	9 JULY 2019	A WILLIG
B.02	ADJUSTED DEPTH OF TAPPED HOLES BASED OFF MANUFACTURER FEEDBACK.	10 JULY 2019	A WILLIG

STRAIGHT CONNECTOR

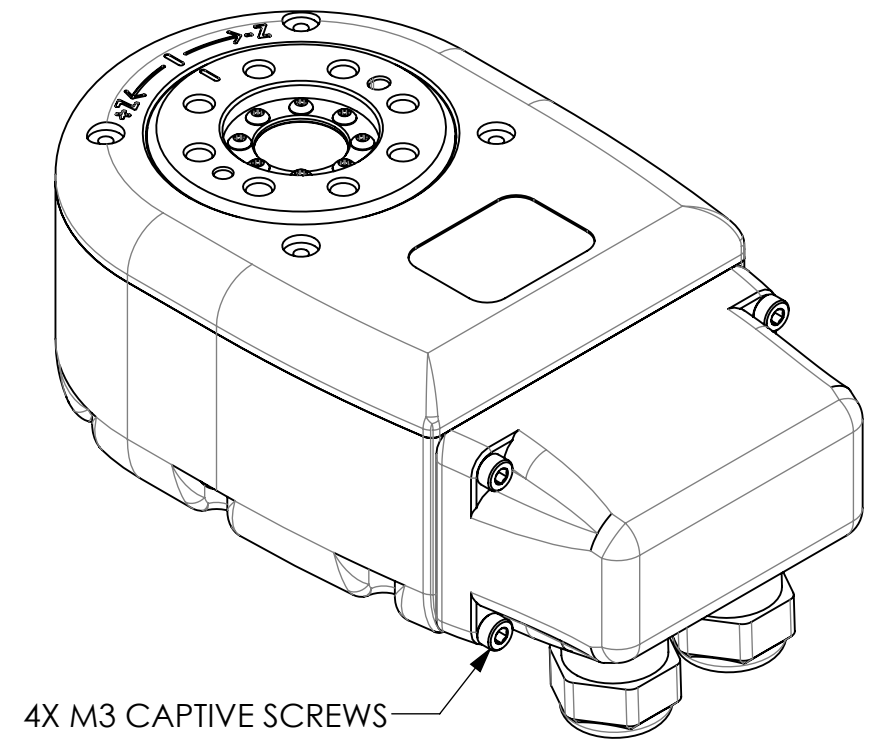


THE INFORMATION CONTAINED IN THIS DRAWING IS THE SOLE PROPERTY OF HEBI ROBOTICS, INC. ANY REPRODUCTION IN PART OR WHOLE WITHOUT WRITTEN PERMISSION IS PROHIBITED.

UNLESS OTHERWISE SPECIFIED DIMENSIONS ARE IN MM		AUTHORIZATION		HEBI ROBOTICS, INC.	
DO NOT SCALE DRAWING		DFTG: A WILLIG	27 JUNE 2019	91 43rd St, Suite 200 Pittsburgh, PA 15201	
TOLERANCES: X.X \pm .40 X.XX \pm .08 ANGLES \pm 0.50°		DSGMR: A WILLIG	2019	PROJECT: R-Series Actuator	
SURFACE TEXTURE (IN MICROMETERS) 1.6		CHKR:		R8 Dimensional Drawing	
REMOVE ALL BURRS AND BREAK ALL SHARP EDGES TO 0.3 MM MAX		ENGR:		SIZE B R8-Dimensions REV B.02	
CAD GENERATED DRAWING, DO NOT MANUALLY UPDATE		MATERIAL:		SCALE: 1:1.2 WEIGHT: 3074.84 G SHEET 1 OF 3	
INTERNAL MODEL REV: A.01		TREATMENT:		FILE NAME: R8-Dimensions.SLDDRW	



RIGHT ANGLE CONNECTOR

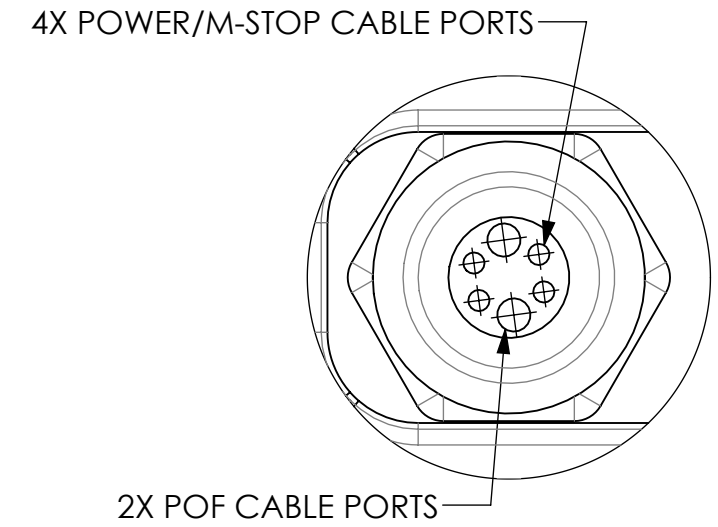
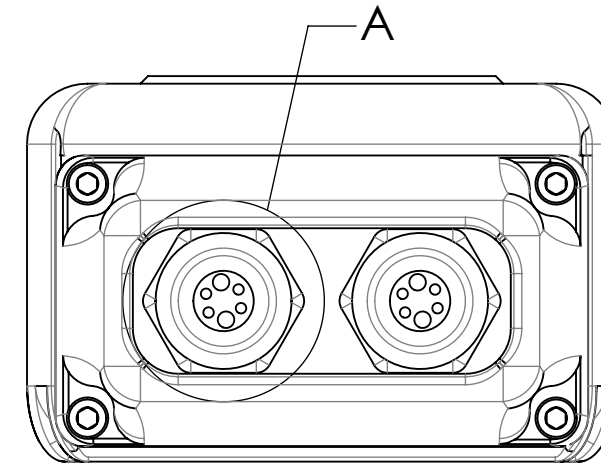
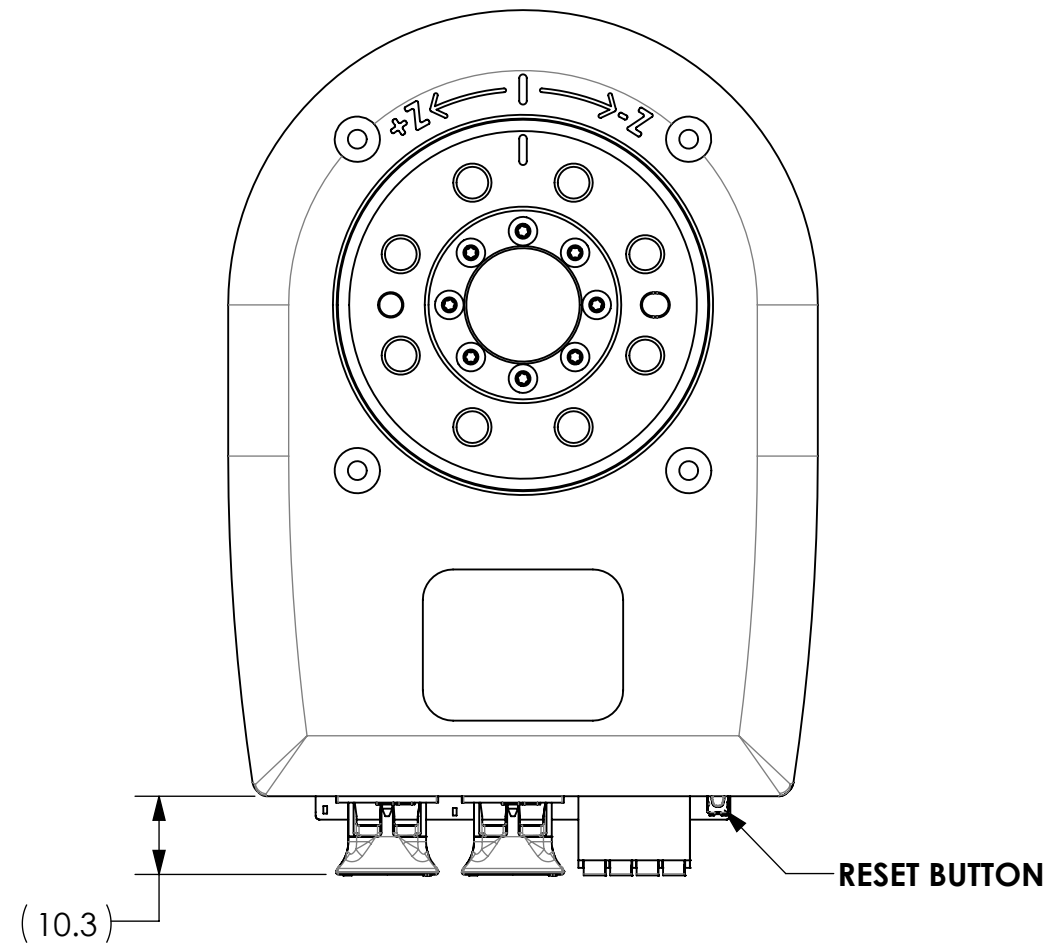


THE INFORMATION CONTAINED IN THIS DRAWING IS THE SOLE PROPERTY OF HEBI ROBOTICS, INC. ANY REPRODUCTION IN PART OR WHOLE WITHOUT WRITTEN PERMISSION IS PROHIBITED.

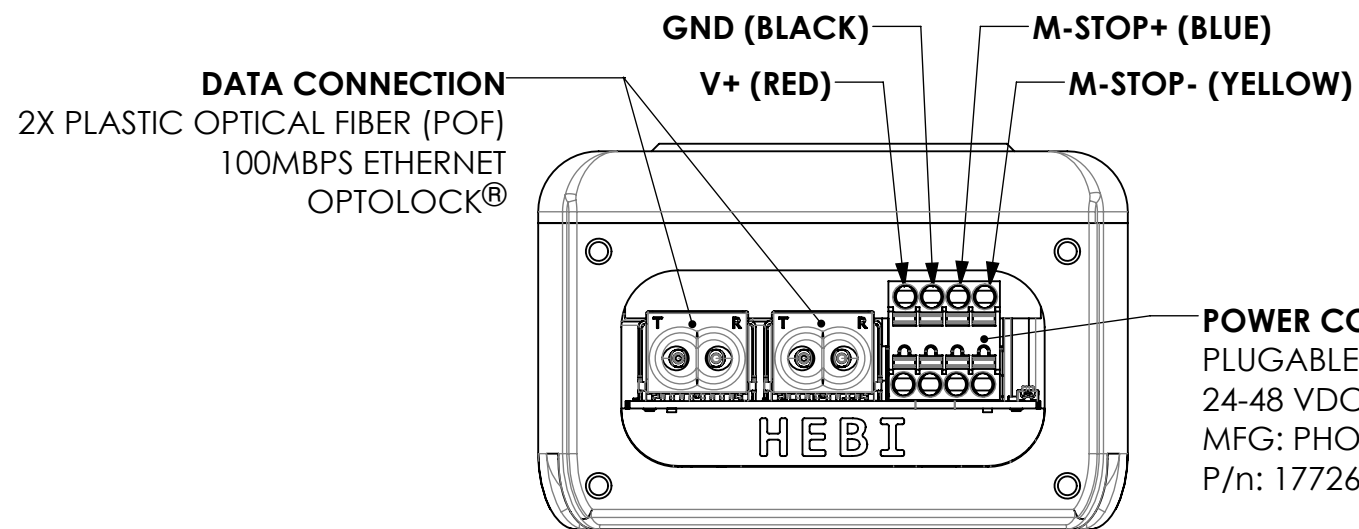
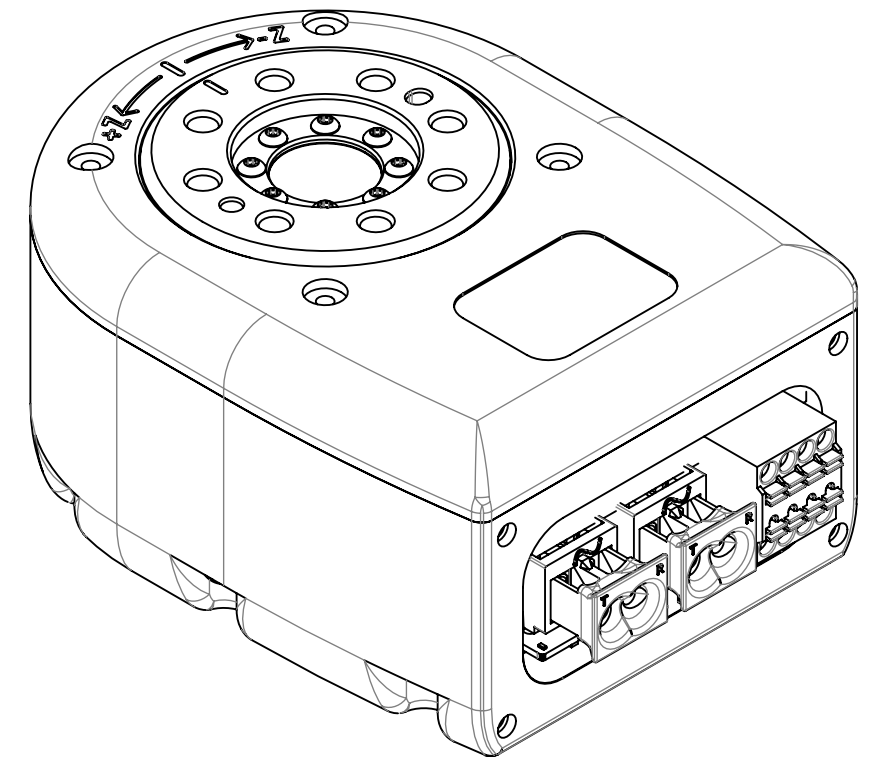
HEBI ROBOTICS, INC.
 91 43rd Street, Suite 200
 Pittsburgh, PA 15201

SIZE B	R8-Dimensions	REV B.02	VER
SCALE: 1:1.2	SHEET 2	OF 3	

ELECTRICAL CONNECTIONS



DETAIL A
SCALE 2 : 1
CORD GRIP LAYOUT



HEBI ROBOTICS, INC.
9143rd St, Suite 200
Pittsburgh, PA 15201

SIZE B	R8-Dimensions	REV B.02	VER 3
SCALE: 1:1	SHEET 3 OF 3		

THE INFORMATION CONTAINED IN THIS DRAWING IS THE SOLE PROPERTY OF HEBI ROBOTICS, INC. ANY REPRODUCTION IN PART OR WHOLE WITHOUT WRITTEN PERMISSION IS PROHIBITED.