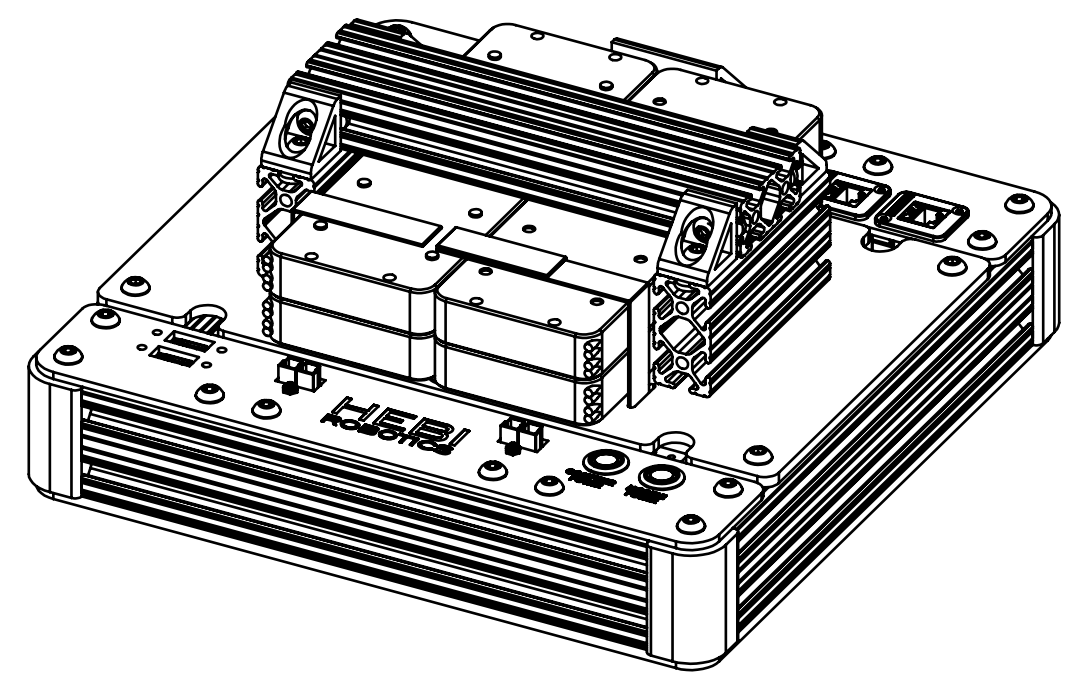
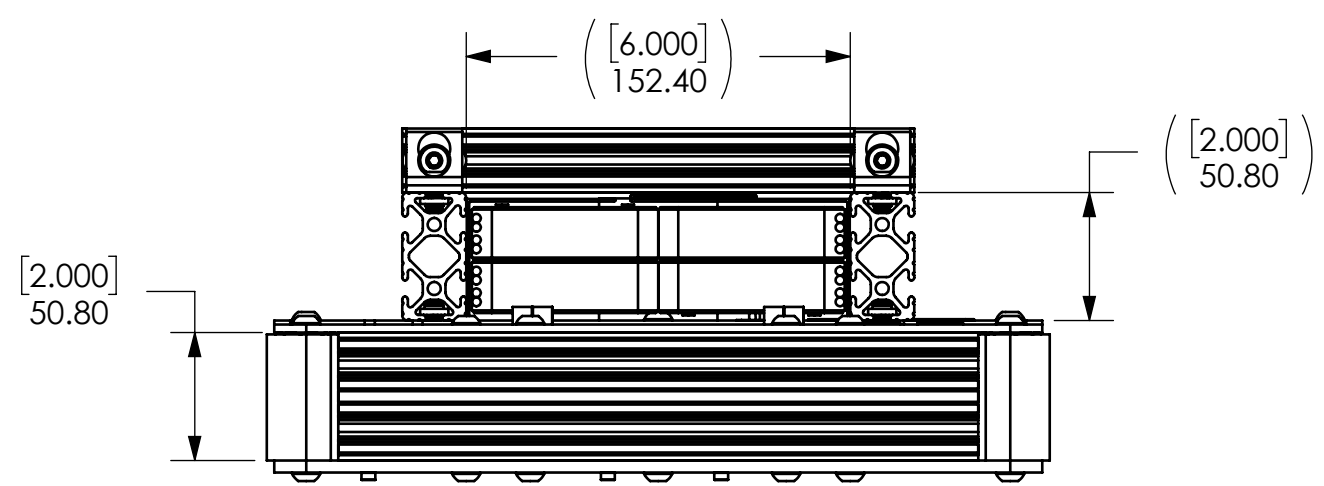
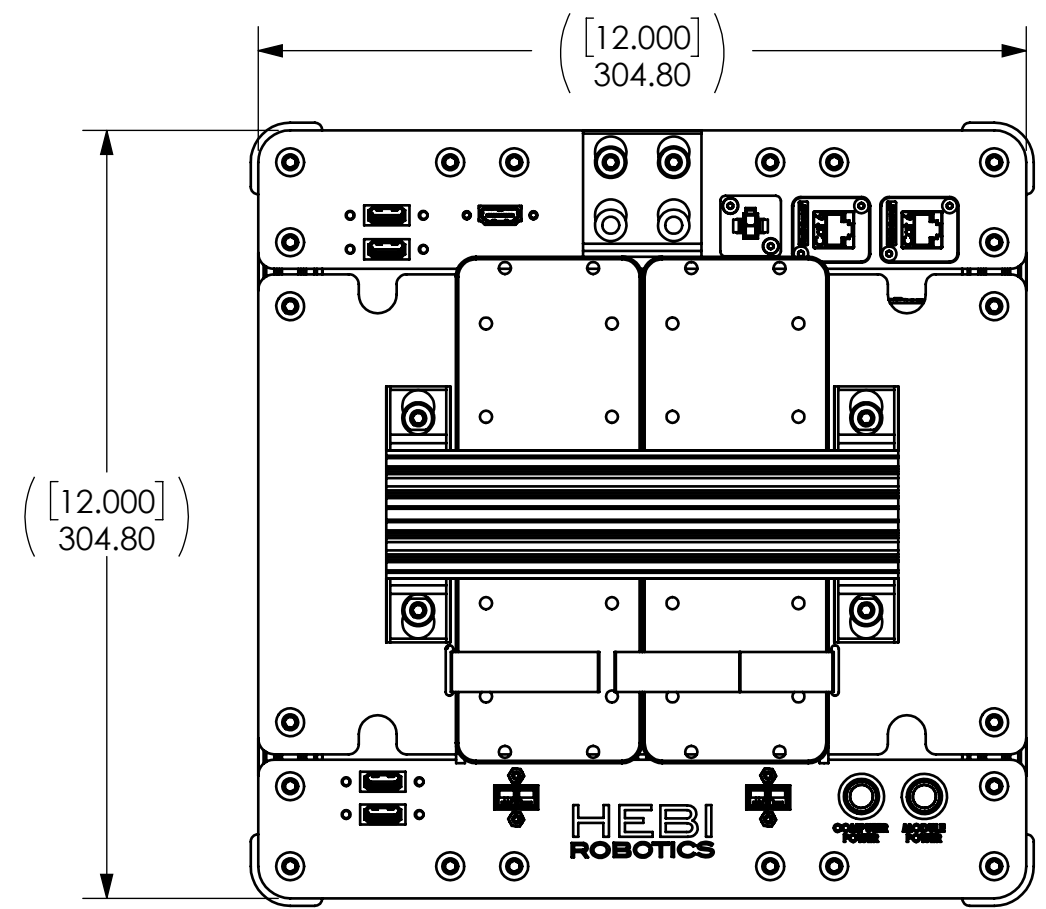


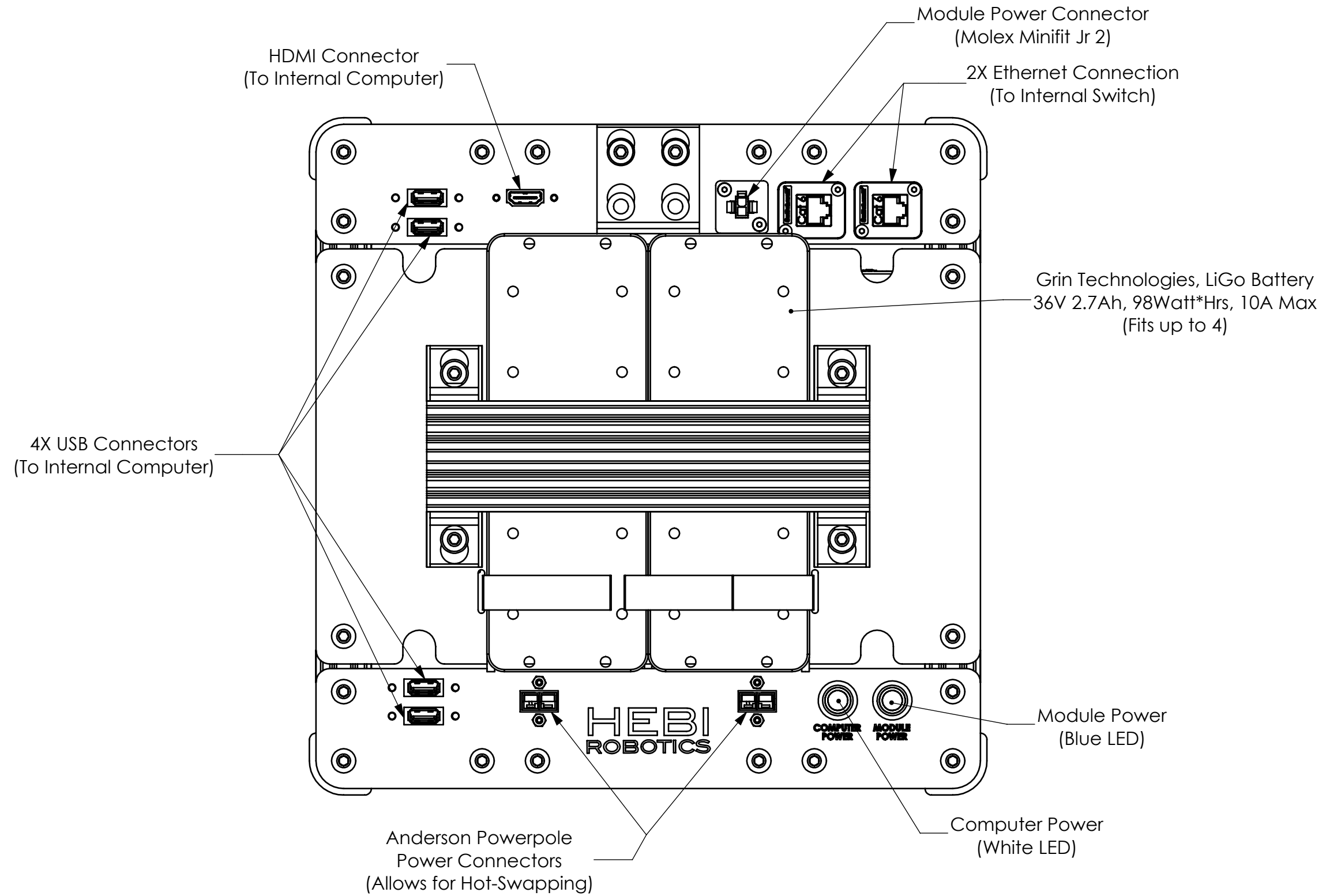
REVISIONS			
REV.	DESCRIPTION	DATE	APPROVED
A.01	INITIAL DRAFTING AND LAYOUT.	19 JAN 2018	A WILLIG



THE INFORMATION CONTAINED IN THIS DRAWING IS THE SOLE PROPERTY OF HEBI ROBOTICS, INC. ANY REPRODUCTION IN PART OR WHOLE WITHOUT WRITTEN PERMISSION OF IS PROHIBITED.

AUTHORIZATION		HEBI ROBOTICS, INC.	
DFTG: 12 JAN 2018		91 43rd St, Suite 200 Pittsburgh, PA 15201	
DSGMR: A WILLIG	JAN 2018	PROJECT: HEBI Kits	
CHKR:		Modular Chassis Kit, Square	
ENGR:			
UNLESS OTHERWISE SPECIFIED DIMENSIONS ARE IN MM DO NOT SCALE DRAWING		SIZE B	REV A.01
TOLERANCES:	X.X ±.30 X.XX ±.08 ANGLES ±1.00°	SCALE: 1:3	WEIGHT: 9010.495 G
		SHEET 1 OF 2	VER

BULKHEAD LAYOUT



THE INFORMATION CONTAINED IN THIS DRAWING IS THE SOLE PROPERTY OF HEBI ROBOTICS, INC. ANY REPRODUCTION IN PART OR WHOLE WITHOUT WRITTEN PERMISSION IS PROHIBITED.

HEBI ROBOTICS, INC.
 91 43rd Street, Suite 200
 Pittsburgh, PA 15201

SIZE B	Square Chassis Layout	REV A.01	VER
SCALE: 1:5	SHEET 2	OF	2