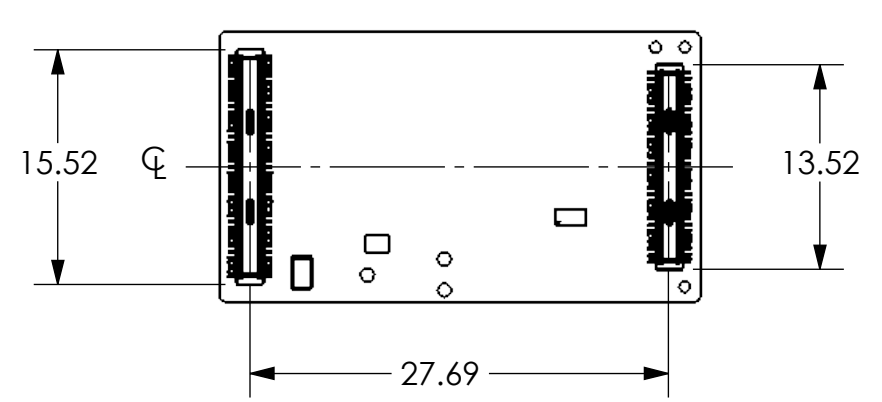
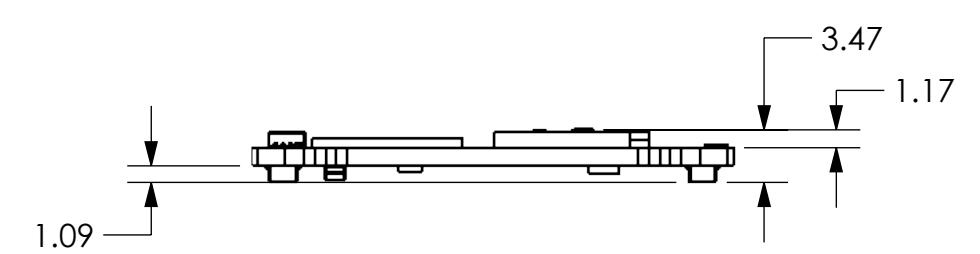
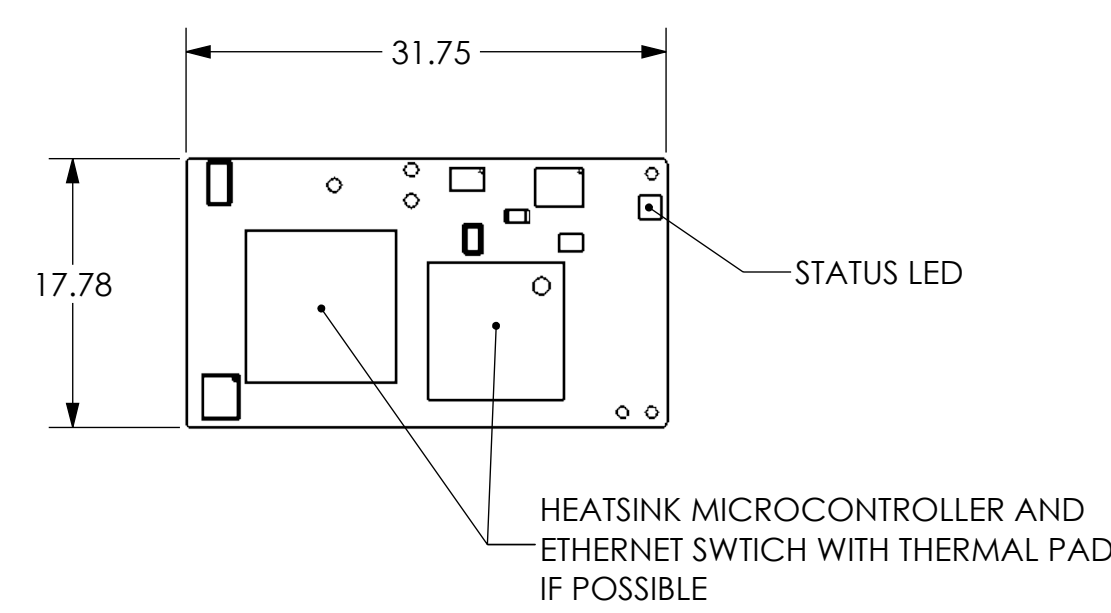
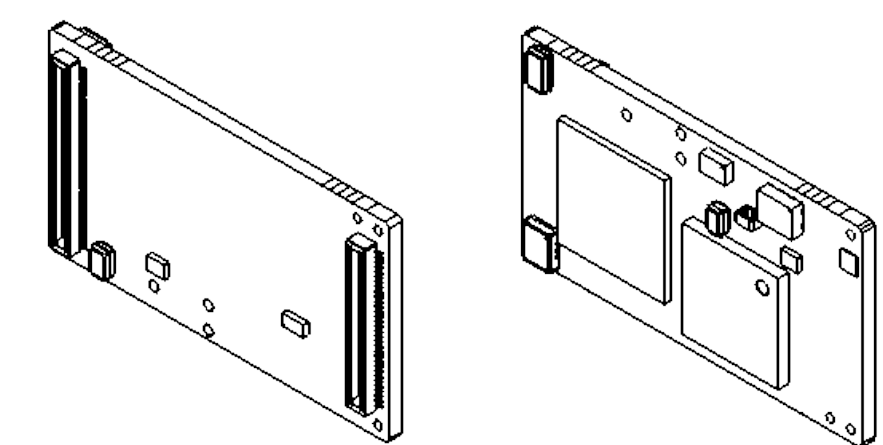


REVISIONS			
REV.	DESCRIPTION	DATE	APPROVED
A.01	INITIAL DRAFTING AND LAYOUT	10 APR 2023	D ROLLINSON



ALIGNMENT OF BOARD-TO-BOARD CONNECTORS IS CRITICAL.



THE INFORMATION CONTAINED IN THIS DRAWING IS THE SOLE PROPERTY OF HEBI ROBOTICS, INC. ANY REPRODUCTION IN PART OR WHOLE WITHOUT WRITTEN PERMISSION IS PROHIBITED.

UNLESS OTHERWISE SPECIFIED DIMENSIONS ARE IN MM DO NOT SCALE DRAWING TOLERANCES: X.X ±.40 X.XX ±.08 ANGLES ±0.50° SURFACE TEXTURE (IN MICROMETERS) 1.6 REMOVE ALL BURRS AND BREAK ALL SHARP EDGES TO 0.3 MM MAX CAD GENERATED DRAWING, DO NOT MANUALLY UPDATE INTERNAL MODEL REV:	AUTHORIZATION	
	DFTG: D ROLLINSON	10 APR 2023
	DSGNR: C LAYTON	2020
	CHKR:	
	ENGR:	
	MATERIAL:	
	TREATMENT:	

HEBI ROBOTICS 3577 Bigelow Blvd, Floor 3
Pittsburgh, PA 15213
engineering@hebirobotics.com

PROJECT: IO Board

IO Micro

SIZE	REV	VER
BPCBA-2072-01	A.01	

SCALE: 2:1 WEIGHT: SHEET 1 OF 1