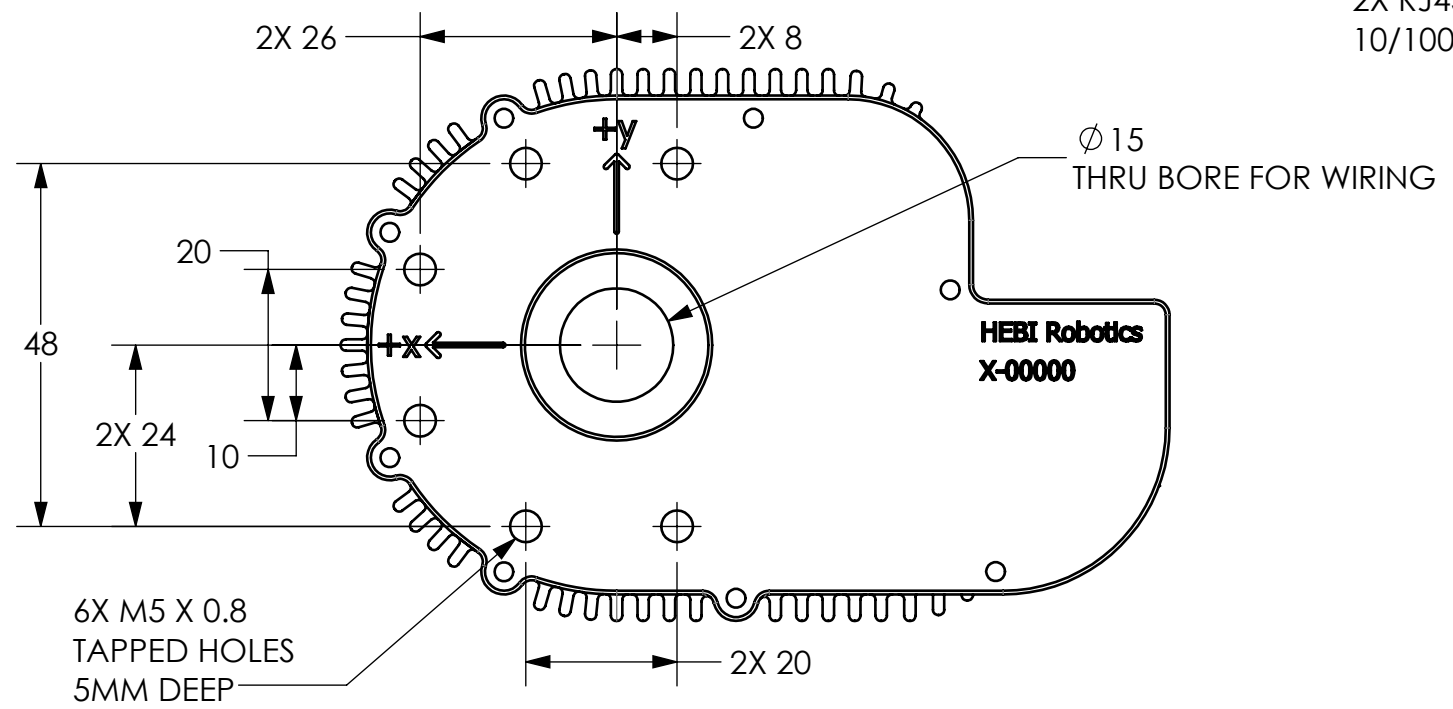
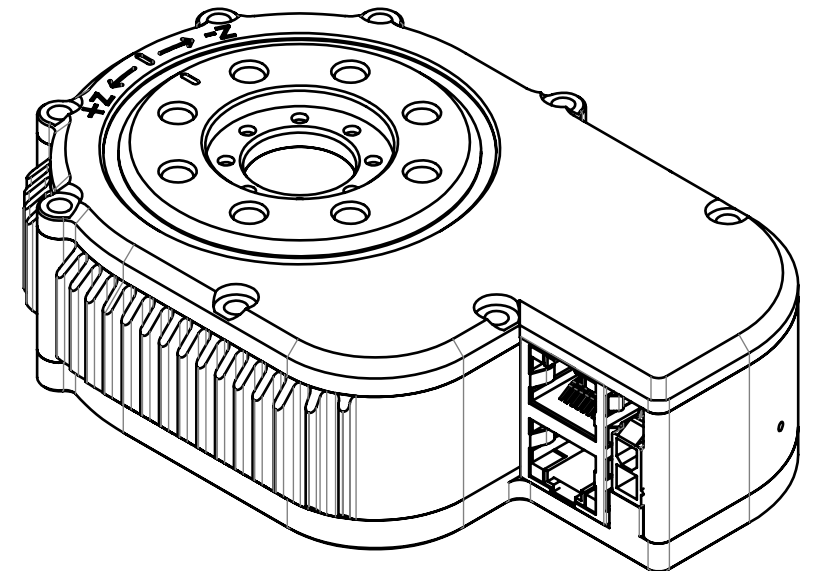
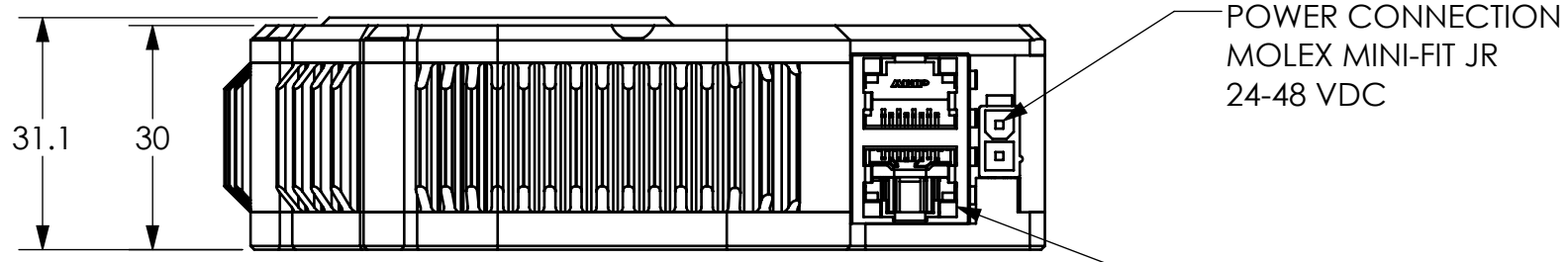
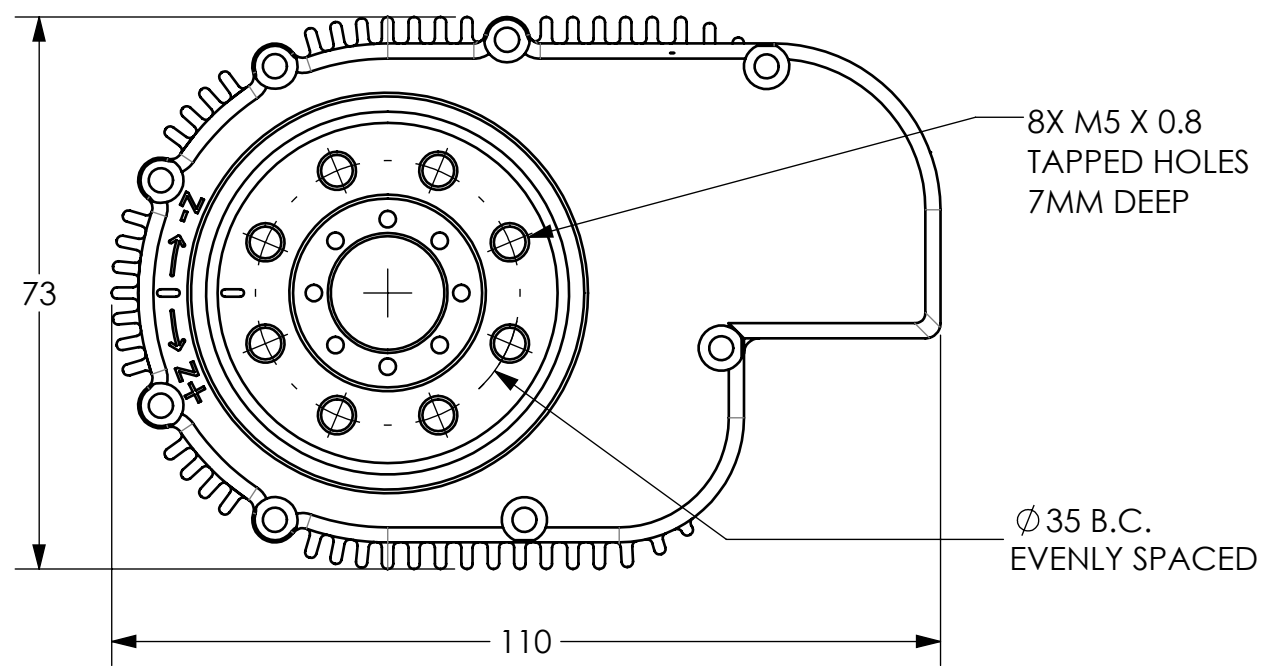


REVISIONS			
REV.	DESCRIPTION	DATE	APPROVED
A.01	INITIAL DRAFTING AND LAYOUT.	16 MAR 2016	D ROLLINSON
A.02	ADDED MISSING DIMS ON BOTTOM VIEW	23 MAY 2016	D ROLLINSON
A.03	UPDATED TITLE BLOCK	18 JULY 2018	A WILLIG



UNLESS OTHERWISE SPECIFIED DIMENSIONS ARE IN MM DO NOT SCALE DRAWING TOLERANCES: X.X ±.40 X.XX ±.08 ANGLES ±0.50° SURFACE TEXTURE 64 REMOVE ALL BURRS AND BREAK ALL SHARP EDGES TO 0.3 MM MAX CAD GENERATED DRAWING, DO NOT MANUALLY UPDATE INTERNAL MODEL REV: A.01	AUTHORIZATION DFTG: D ROLLINSON 2016 DSGNR: CHKR: ENGR:		HEBI ROBOTICS, INC. 91 43rd St, Suite 200 Pittsburgh, PA 15201 PROJECT: X-Series Actuator X5 Dimensional Drawing	
	MATERIAL:		SCALE: 1:1 WEIGHT: 1280.361 G SHEET 1 OF 1	
	TREATMENT:		SIZE B X5-Dimensions REV A.03 VER	
	FILE NAME: X5-Dimensions.SLDDRW		FILE NAME: X5-Dimensions.SLDDRW	
	FILE NAME: X5-Dimensions.SLDDRW		FILE NAME: X5-Dimensions.SLDDRW	

THE INFORMATION CONTAINED IN THIS DRAWING IS THE SOLE PROPERTY OF HEBI ROBOTICS, INC. ANY REPRODUCTION IN PART OR WHOLE WITHOUT WRITTEN PERMISSION IS PROHIBITED.