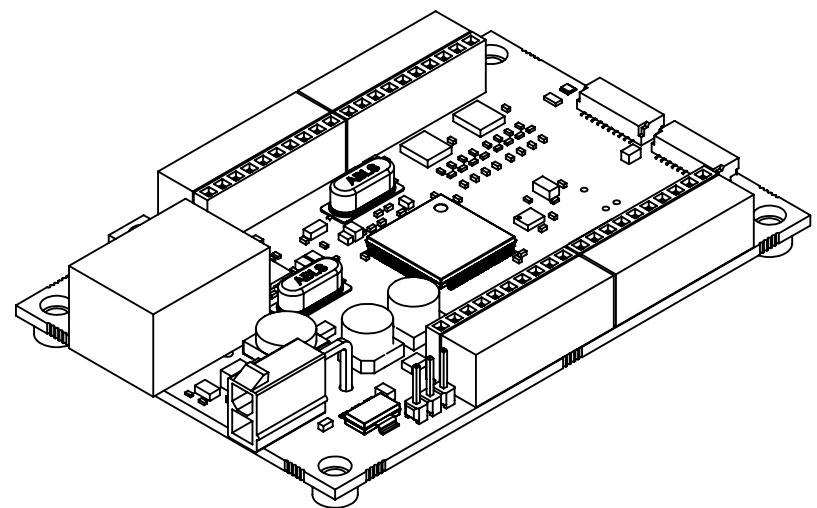
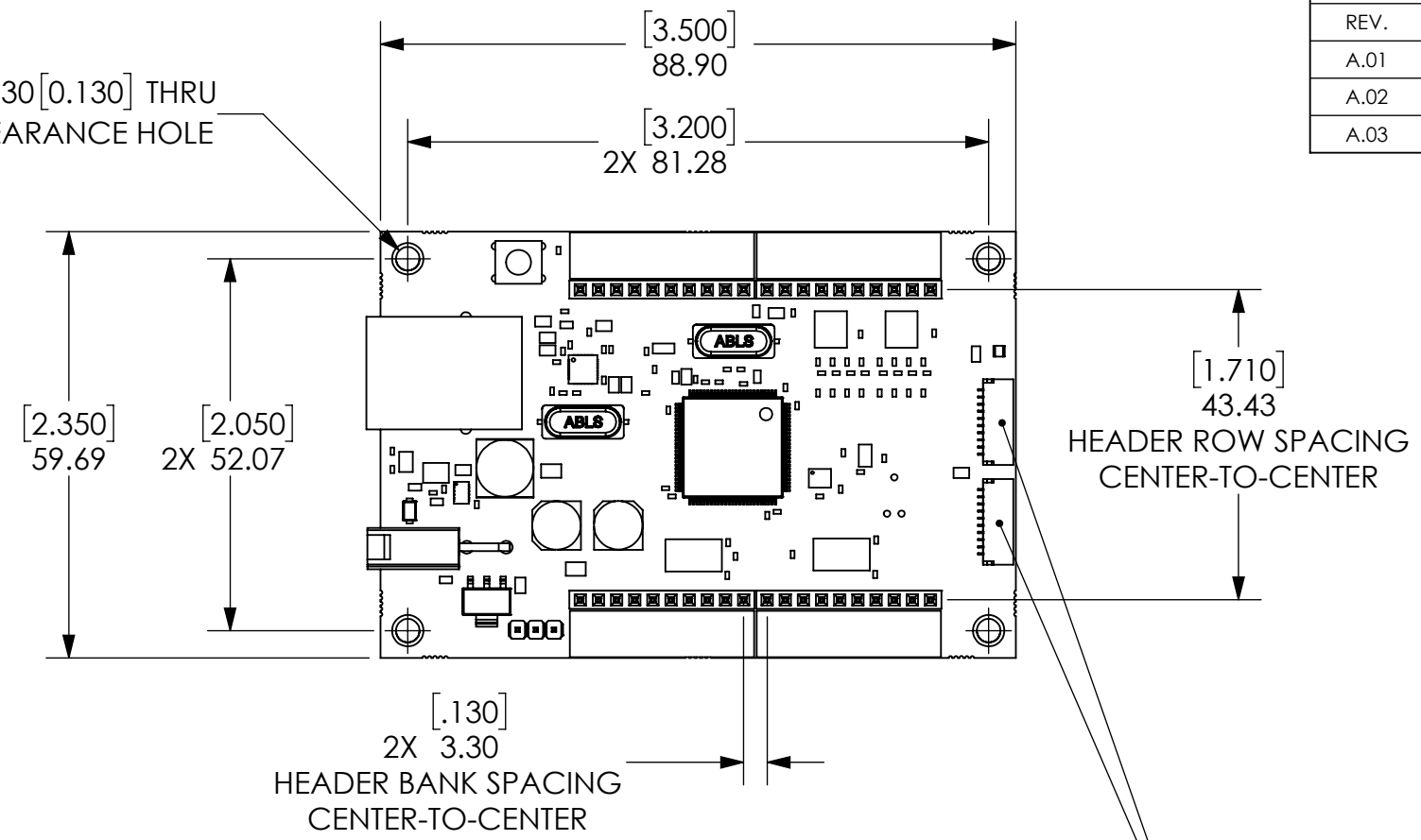


6 5 4 3 2 1

REVISIONS			
REV.	DESCRIPTION	DATE	APPROVED
A.01	INITIAL DRAFTING AND LAYOUT	18 JUL 2018	A WILLIG
A.02	ADDED HEIGHT DIMENSION AND ADDITIONAL VIEW	18 JUL 2018	D ROLLINSON
A.03	ADDED I/O CONNECTION DIMS / CALLOUTS	19 JUL 2018	D ROLLINSON

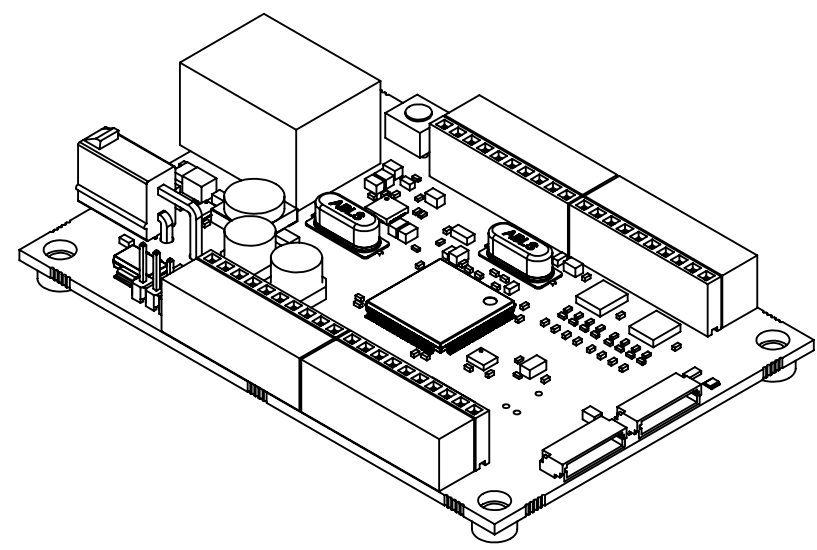
4X Ø 3.30 [0.130] THRU
M3 CLEARANCE HOLE



[.130]
2X 3.30
HEADER BANK SPACING
CENTER-TO-CENTER

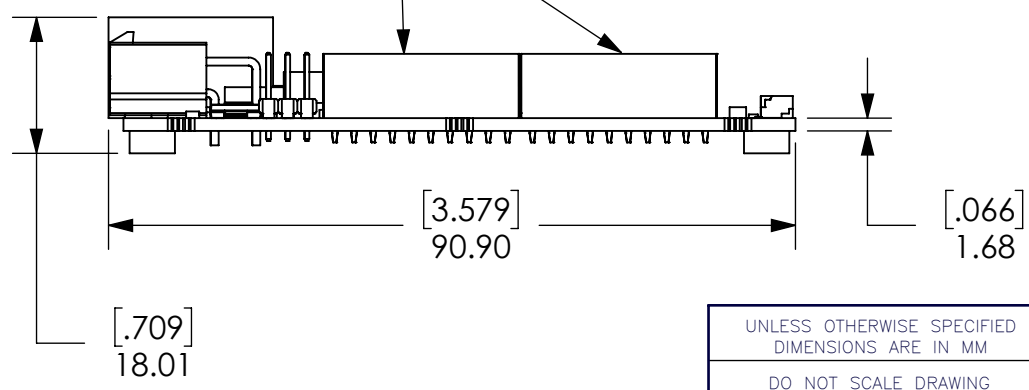
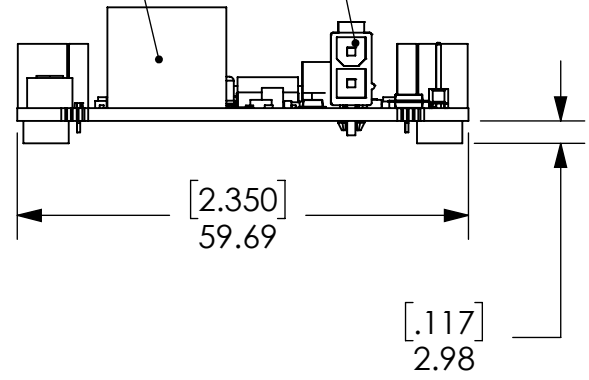
I/O CONNECTIONS
2X JST SH 10-PIN

I/O CONNECTIONS
32X SCREW TERMINALS
32X 0.1" HEADERS



DATA CONNECTION
RJ45
10/100 ETHERNET

POWER CONNECTION
MOLEX MINI-FIT JR
12-48 VDC



UNLESS OTHERWISE SPECIFIED DIMENSIONS ARE IN MM DO NOT SCALE DRAWING TOLERANCES: X.X ±.40 X.XX ±.08 ANGLES ±0.50° SURFACE TEXTURE 64 REMOVE ALL BURRS AND BREAK ALL SHARP EDGES TO 0.3 MM MAX CAD GENERATED DRAWING, DO NOT MANUALLY UPDATE INTERNAL MODEL REV: A.01	AUTHORIZATION		HEBI ROBOTICS, INC.	
	DFTG: A WILLIG	18 JULY 2018	91 43rd St, Suite 200 Pittsburgh, PA 15201	
	DSGMR: C LAYTON		PROJECT: X-Series Accessories	
	CHKR:		HEBI I/O Board	
	ENGR:			
MATERIAL:		SIZE B	PE-2033-01	REV A.03
TREATMENT:		SCALE: 1:1	WEIGHT: 189.467 G	SHEET 1 OF 1

THE INFORMATION CONTAINED IN THIS DRAWING IS THE SOLE PROPERTY OF HEBI ROBOTICS, INC. ANY REPRODUCTION IN PART OR WHOLE WITHOUT WRITTEN PERMISSION IS PROHIBITED.

6 5 4 3 2 1 FILE NAME: PE-2033-01.SLDDRW