

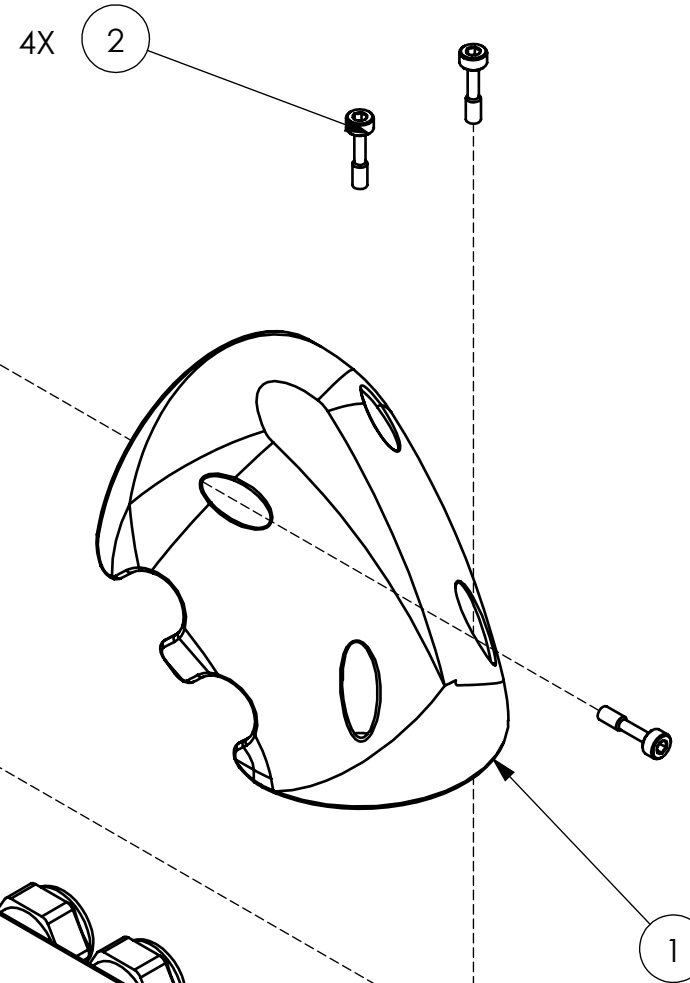
**R-SERIES ACTUATOR
BRACKET: A-2220-01
CONFIGURATION: RIGHT**

REVISIONS			
REV.	DESCRIPTION	DATE	APPROVED
A.01	INITIAL DRAFTING AND LAYOUT.	13 MAY 2019	H KIM

R-SERIES ACTUATOR
SOLD SEPARATELY

A-2220-01
SOLD SEPARATELY

R-SERIES ACTUATOR
SOLD SEPARATELY



NOTE: TOTAL WEIGHT EXCLUDES R-SERIES ACTUATOR AND BRACKET
(SEE CONFIGURATION ON SHEET 5)

ITEM NO.	PART NUMBER	DESCRIPTION	right/left/ QTY.
1	PM-2530-01	Cover for A-2220-01	1
2	PP-2346-14	M3 Captive SHCS, 14mm Length, 316 Stainless	4

AUTHORIZATION

DFTG:	H KIM	13 MAY 2019
DSGNR:	H KIM	13 MAY 2019
CHKR:		
ENGR:		

HEBI ROBOTICS, INC.

91 43rd St, Suite 200
Pittsburgh, PA 15201

PROJECT: R-Series Accessories

Cover for A-2220-01

UNLESS OTHERWISE SPECIFIED
DIMENSIONS ARE IN MM
DO NOT SCALE DRAWING

TOLERANCES:	X.X	±.30
	X.XX	±.08
	ANGLES	±1.00°

SIZE	A-2235-01	REV	VER
B		A.01	

SCALE:	2:3	WEIGHT:	26.54 G	SHEET	1 OF 5
--------	-----	---------	---------	-------	--------

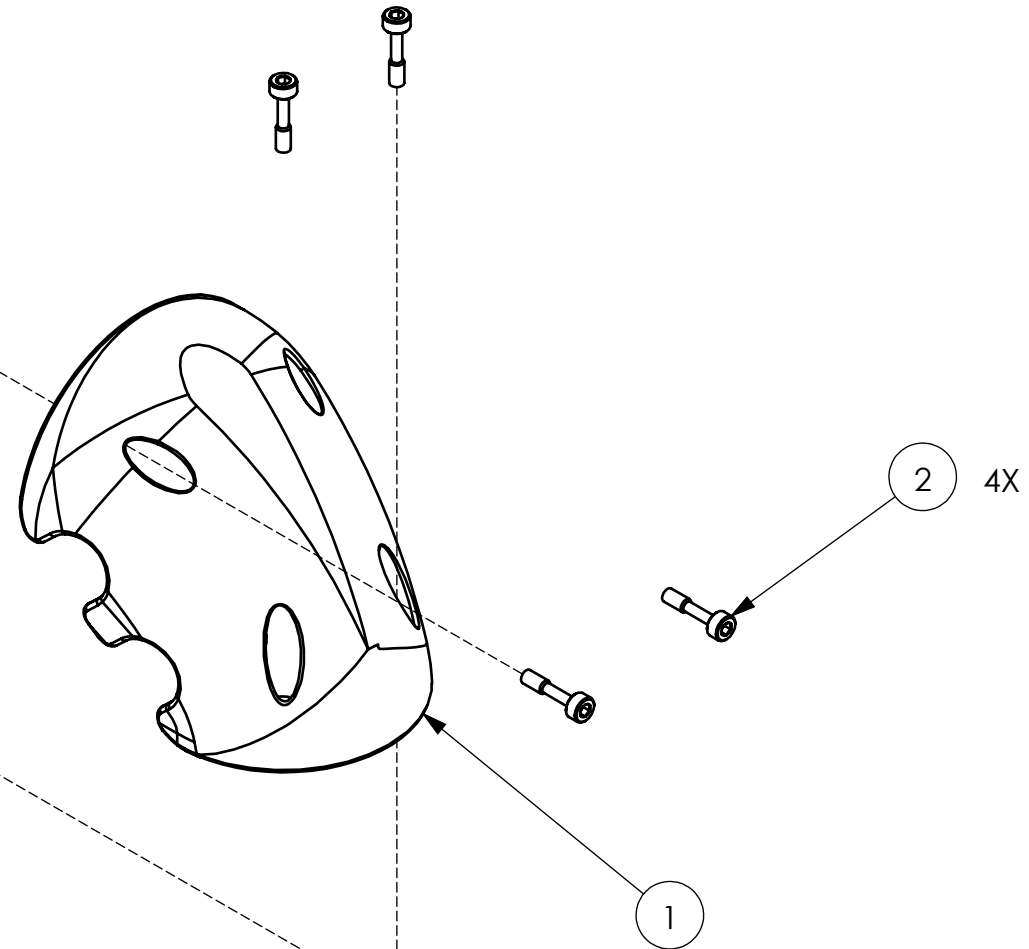
THE INFORMATION CONTAINED IN THIS DRAWING IS THE SOLE PROPERTY OF
HEBI ROBOTICS, INC. ANY REPRODUCTION IN PART OR WHOLE WITHOUT
WRITTEN PERMISSION OF IS PROHIBITED.

**R-SERIES ACTUATOR
BRACKET: A-2220-01
CONFIGURATION: LEFT**

R-SERIES ACTUATOR
SOLD SEPARATELY

A-2220-01
SOLD SEPARATELY

R-SERIES ACTUATOR
SOLD SEPARATELY



NOTE: TOTAL WEIGHT EXCLUDES R-SERIES ACTUATOR AND BRACKET
(SEE CONFIGURATION ON SHEET 5)

ITEM NO.	PART NUMBER	DESCRIPTION	left/QTY.
1	PM-2530-01	Cover for A-2220-01	1
2	PP-2346-14	M3 Captive SHCS, 14mm Length, 316 Stainless	4

HEBI ROBOTICS, INC.
91 43rd Street, Suite 200
Pittsburgh, PA 15201

SIZE B	A-2235-01	REV A.01
SCALE: 2:3	SHEET 2 OF 5	

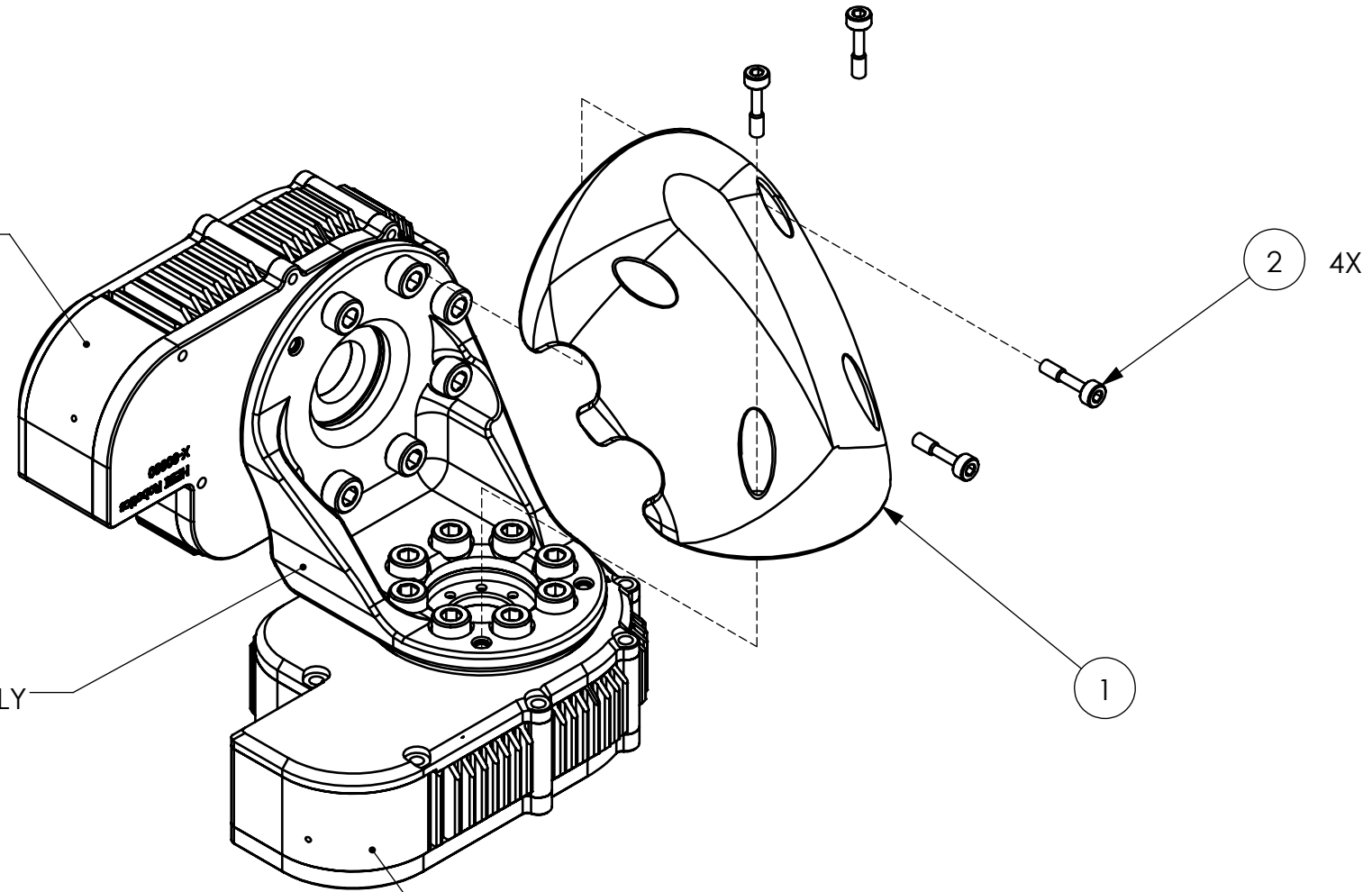
THE INFORMATION CONTAINED IN THIS DRAWING IS THE SOLE PROPERTY OF
HEBI ROBOTICS, INC. ANY REPRODUCTION IN PART OR WHOLE WITHOUT
WRITTEN PERMISSION IS PROHIBITED.

**X-SERIES ACTUATOR
BRACKET: A-2042-02L**

X-SERIES ACTUATOR
SOLD SEPARATELY

A-2042-02L
SOLD SEPARATELY

X-SERIES ACTUATOR
SOLD SEPARATELY



NOTE: TOTAL WEIGHT EXCLUDES X-SERIES ACTUATOR AND BRACKET
(SEE CONFIGURATION ON SHEET 5)

ITEM NO.	PART NUMBER	DESCRIPTION	left/QTY.
1	PM-2530-01	Cover for A-2220-01	1
2	PP-2346-14	M3 Captive SHCS, 14mm Length, 316 Stainless	4

HEBI ROBOTICS, INC.
91 43rd Street, Suite 200
Pittsburgh, PA 15201

SIZE B	A-2235-01	REV A.01	VER
SCALE: 2:3	SHEET 3	OF 5	

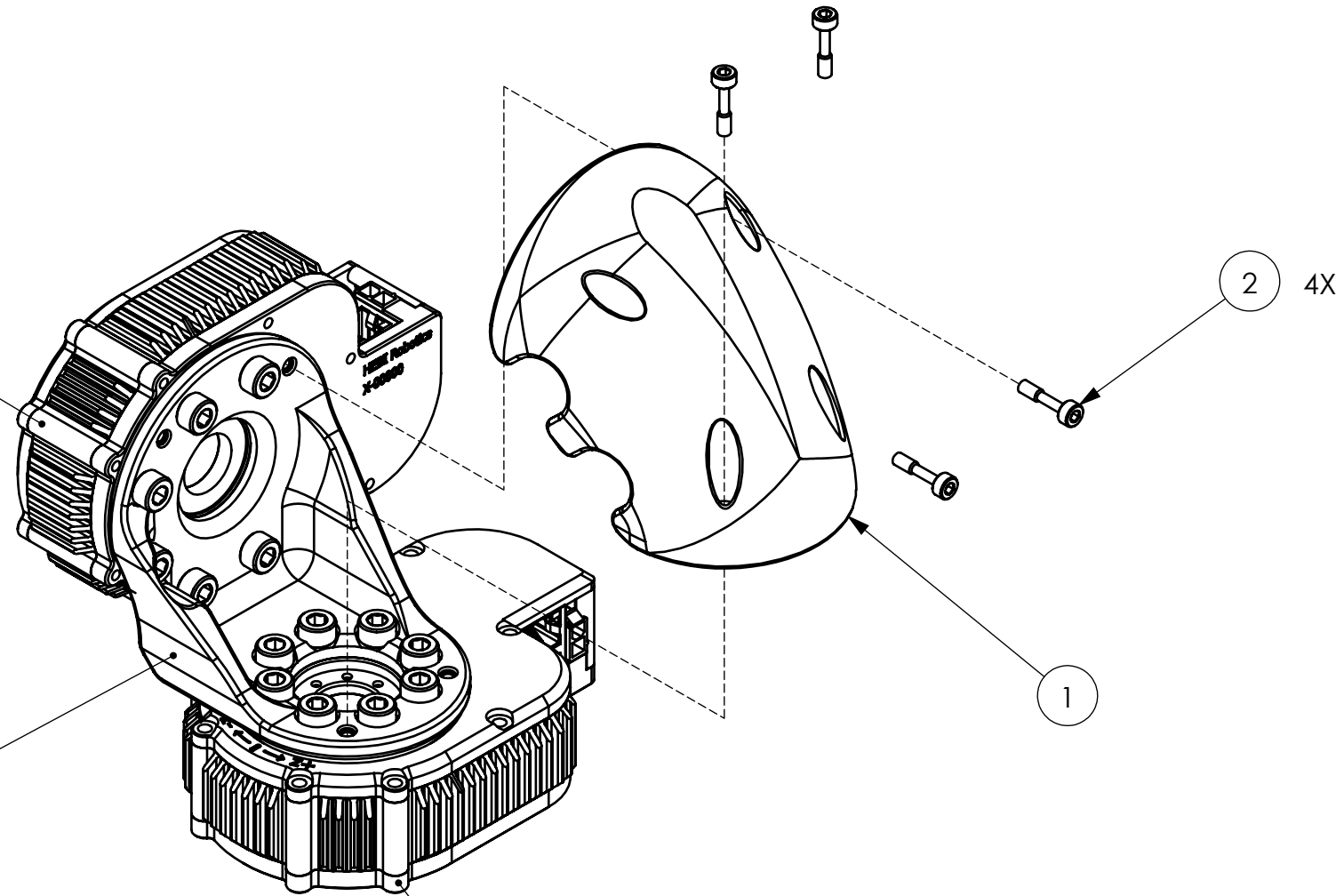
THE INFORMATION CONTAINED IN THIS DRAWING IS THE SOLE PROPERTY OF
HEBI ROBOTICS, INC. ANY REPRODUCTION IN PART OR WHOLE WITHOUT
WRITTEN PERMISSION IS PROHIBITED.

**X-SERIES ACTUATOR
BRACKET: A-2042-02R**

X-SERIES ACTUATOR
SOLD SEPARATELY

A-2042-02R
SOLD SEPARATELY

X-SERIES ACTUATOR
SOLD SEPARATELY



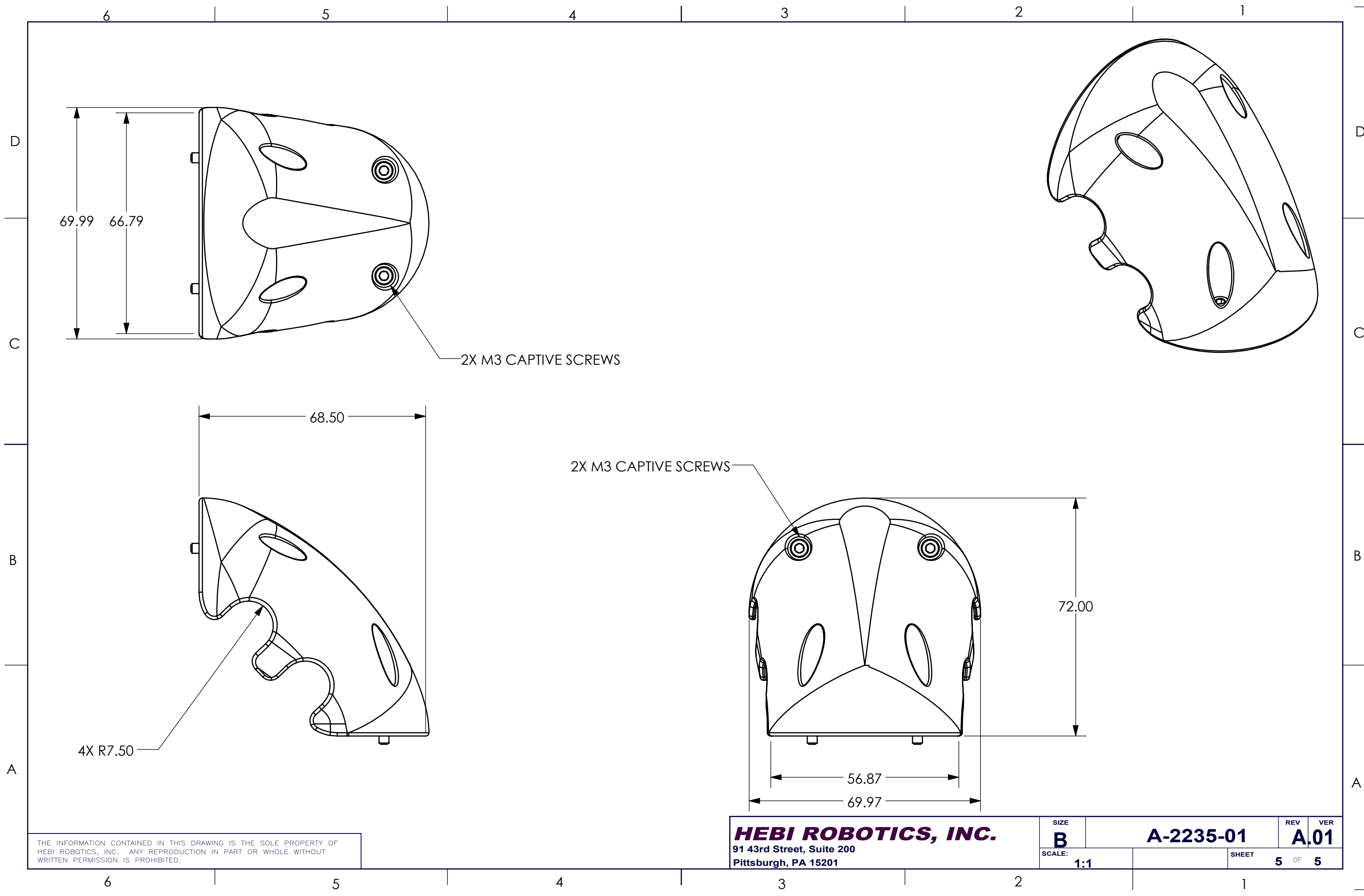
NOTE: TOTAL WEIGHT EXCLUDES X-SERIES ACTUATOR AND BRACKET
(SEE CONFIGURATION ON SHEET 5)

ITEM NO.	PART NUMBER	DESCRIPTION	left/QTY.
1	PM-2530-01	Cover for A-2220-01	1
2	PP-2346-14	M3 Captive SHCS, 14mm Length, 316 Stainless	4

HEBI ROBOTICS, INC.
91 43rd Street, Suite 200
Pittsburgh, PA 15201

SIZE B	A-2235-01	REV A.01
SCALE: 2:3	SHEET 4 OF 5	

THE INFORMATION CONTAINED IN THIS DRAWING IS THE SOLE PROPERTY OF
HEBI ROBOTICS, INC. ANY REPRODUCTION IN PART OR WHOLE WITHOUT
WRITTEN PERMISSION IS PROHIBITED.



69.99
66.79

2X M3 CAPTIVE SCREWS

68.50

2X M3 CAPTIVE SCREWS

72.00

4X R7.50

56.87

69.97

THE INFORMATION CONTAINED IN THIS DRAWING IS THE SOLE PROPERTY OF HEBI ROBOTICS, INC. ANY REPRODUCTION IN PART OR WHOLE WITHOUT WRITTEN PERMISSION IS PROHIBITED.

HEBI ROBOTICS, INC.
91 43rd Street, Suite 200
Pittsburgh, PA 15201

SIZE B	A-2235-01	REV A.01	VER A.01
SCALE: 1:1	SHEET 5 OF 5		