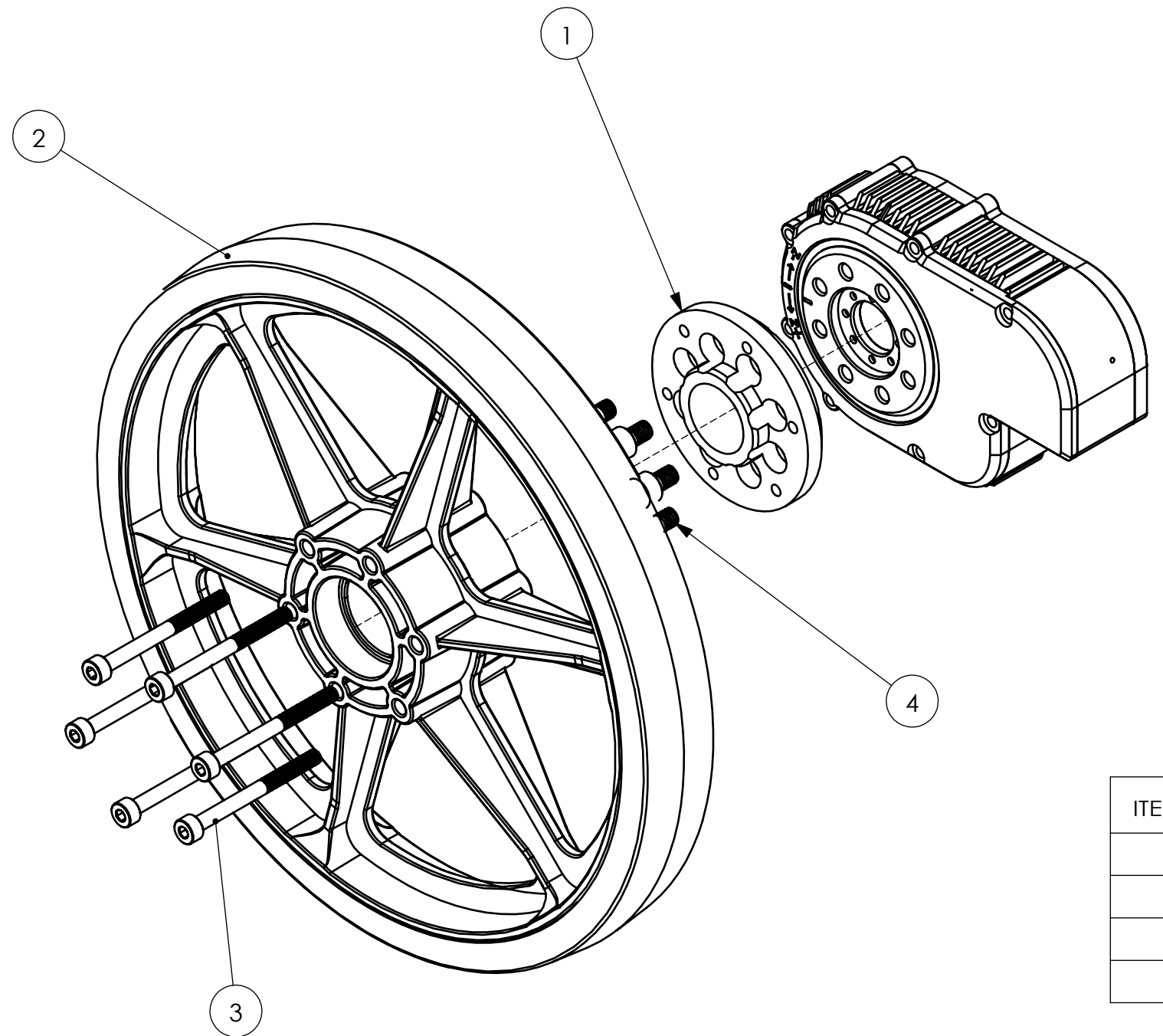


REVISIONS			
REV.	DESCRIPTION	DATE	APPROVED
A.01	INITIAL DRAFTING AND LAYOUT.	5 JUL 2017	H KIM



THE MODULE IS NOT INCLUDED IN THE PRICE

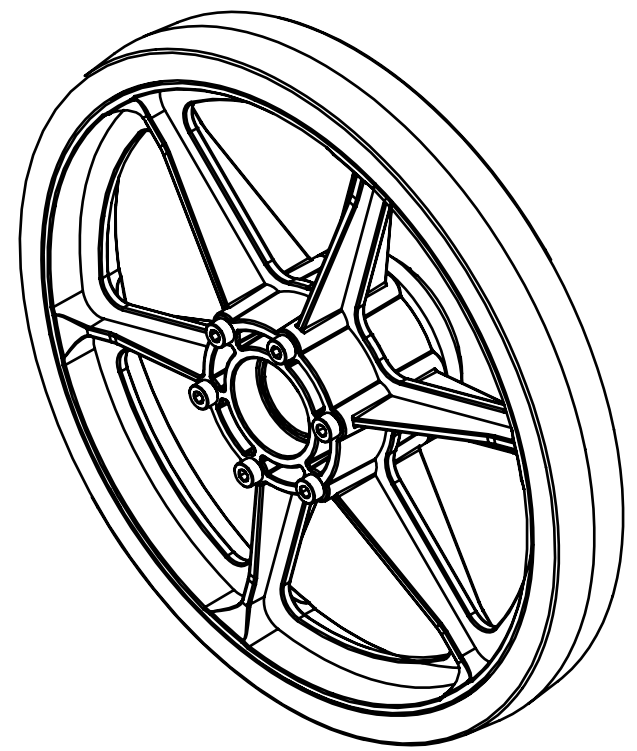
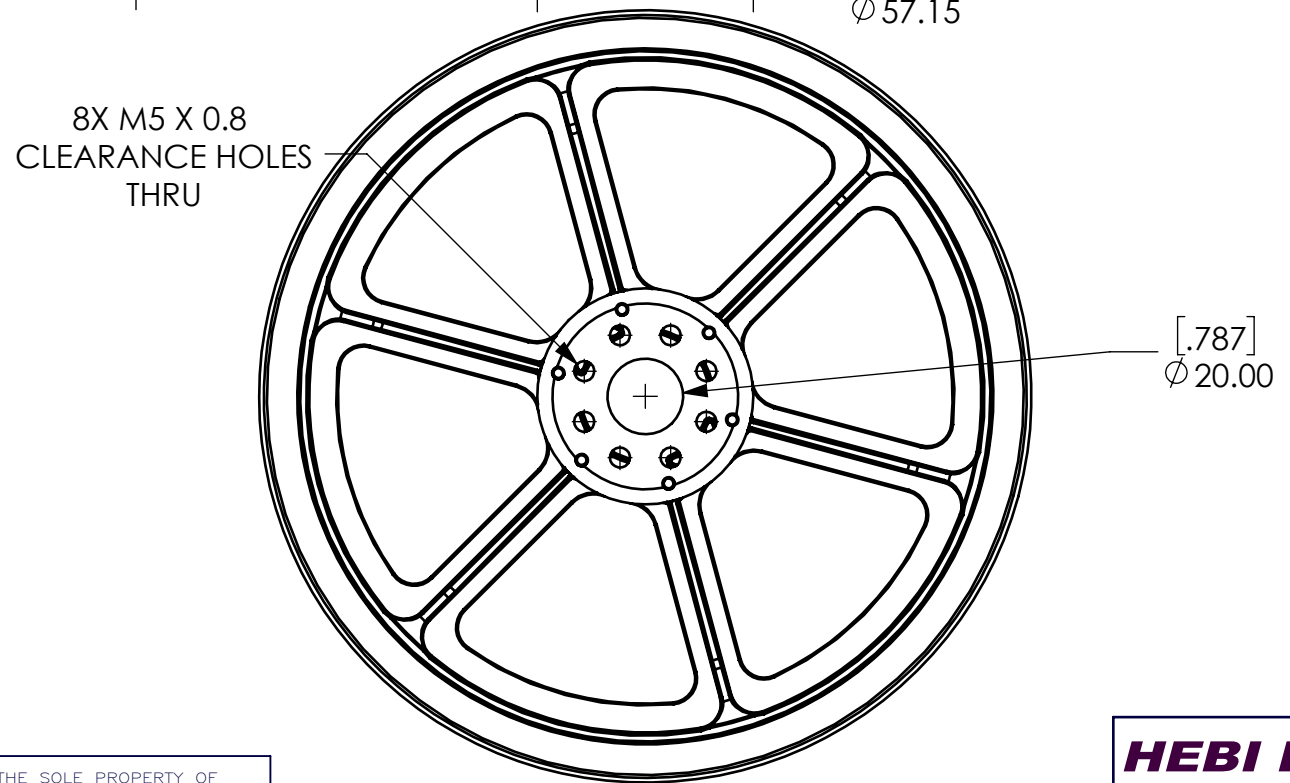
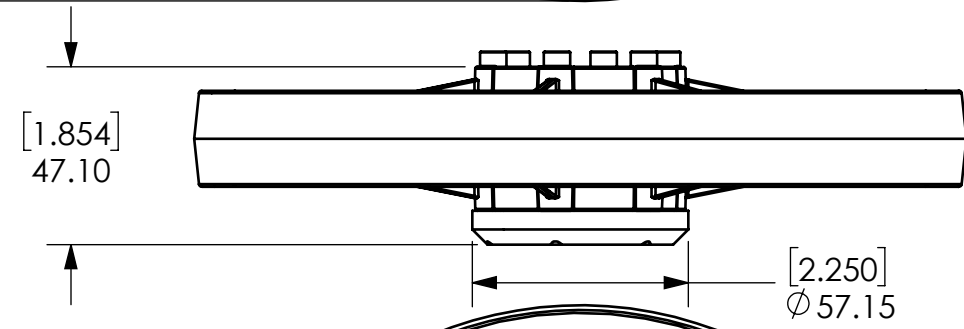
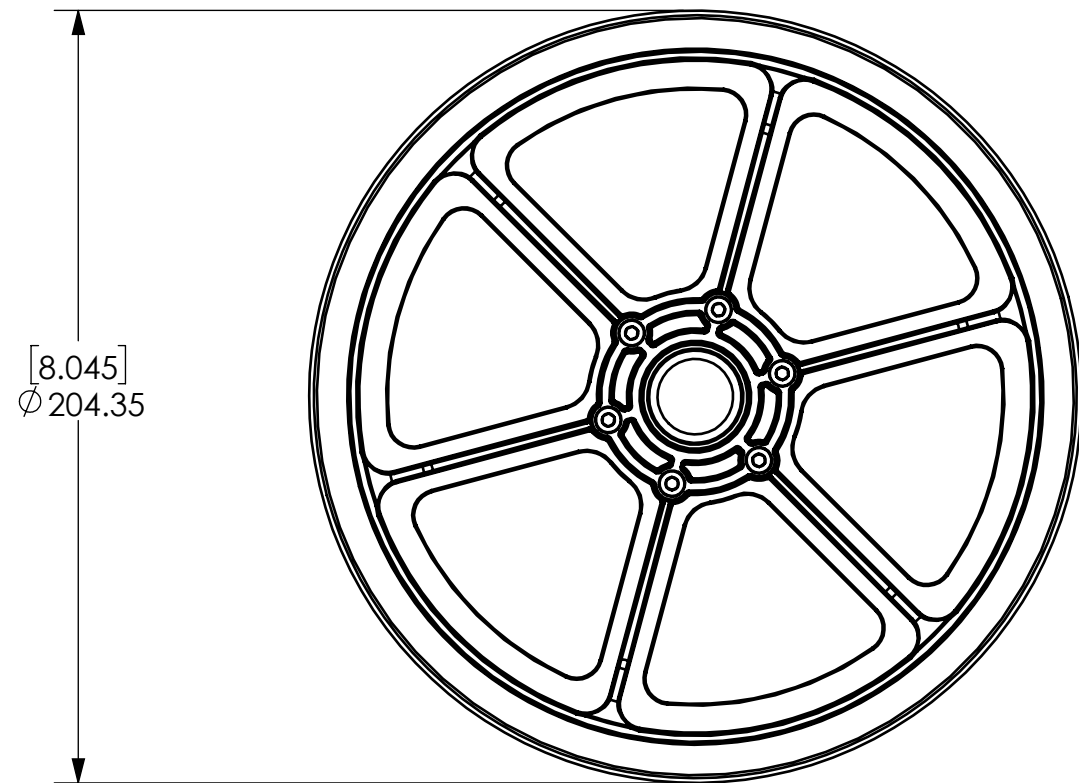
ITEM NO.	PART NUMBER	DESCRIPTION	Default/ QTY.
1	PM-2155-01	FIRST Wheel Adapter	1
2	PP-2074-08	8" Rubber Treaded Wheel	1
3	PP-2150-45	M4 SHCS 45MM LENGTH STEEL	6
4	PP-2131-08	M5 SHCS, 8mm Length, Steel	8

AUTHORIZATION		HEBI ROBOTICS, INC.	
DFTG: H Kim	3 JUL 2017	5001 Baum Blvd, Suite 780 Pittsburgh, PA 15213	
DSGNR: H Kim	3 JUL 2017	PROJECT: X-Series Accessories	
CHKR:		8" Wheel Adapter Assembly (Wheel, Adapter, Hardware)	
ENGR:		SIZE	REV VER
UNLESS OTHERWISE SPECIFIED DIMENSIONS ARE IN MM		B	A.01
DO NOT SCALE DRAWING		SCALE: 1:1.5	WEIGHT: 683.063 G
TOLERANCES: X.X ±.30 X.XX ±.08 ANGLES ±1.00°		SHEET 1 OF 2	

THE INFORMATION CONTAINED IN THIS DRAWING IS THE SOLE PROPERTY OF HEBI ROBOTICS, INC. ANY REPRODUCTION IN PART OR WHOLE WITHOUT WRITTEN PERMISSION OF IS PROHIBITED.

6 5 4 3 2 1

D
C
B
A



D
C
B
A

THE INFORMATION CONTAINED IN THIS DRAWING IS THE SOLE PROPERTY OF
HEBI ROBOTICS, INC. ANY REPRODUCTION IN PART OR WHOLE WITHOUT
WRITTEN PERMISSION IS PROHIBITED.

HEBI ROBOTICS, INC.
5001 Baum Blvd, Suite 780
Pittsburgh, PA 15213

SIZE B	A-2076-08	REV A.01	VER
SCALE: 1:2		SHEET 2	OF 2

6 5 4 3 2 1