

6

5

4

3

2

1

REVISIONS			
REV.	DESCRIPTION	DATE	APPROVED
A.01	INITIAL DRAFTING AND LAYOUT	5 OCT 2016	A SCHEPELMANN
A.02	ADDED THICKNESS DIM AND FIXED T-NUT MODEL	3 MAY 2017	D ROLLINSON
A.03	UPDATED BOM TO ONLY SHOW INCLUDED HARDWARE	24 AUG 2017	A WILLIG
A.04	FLAT HEAD SCREWS ARE NOW 10MM LENGTH	1 SEP 2017	A WILLIG
A.05	UPDATED BOM AND NOTES. UPDATED WEIGHT TO INCLUDE FASTENERS.	1 SEP 2017	A WILLIG

D

C

B

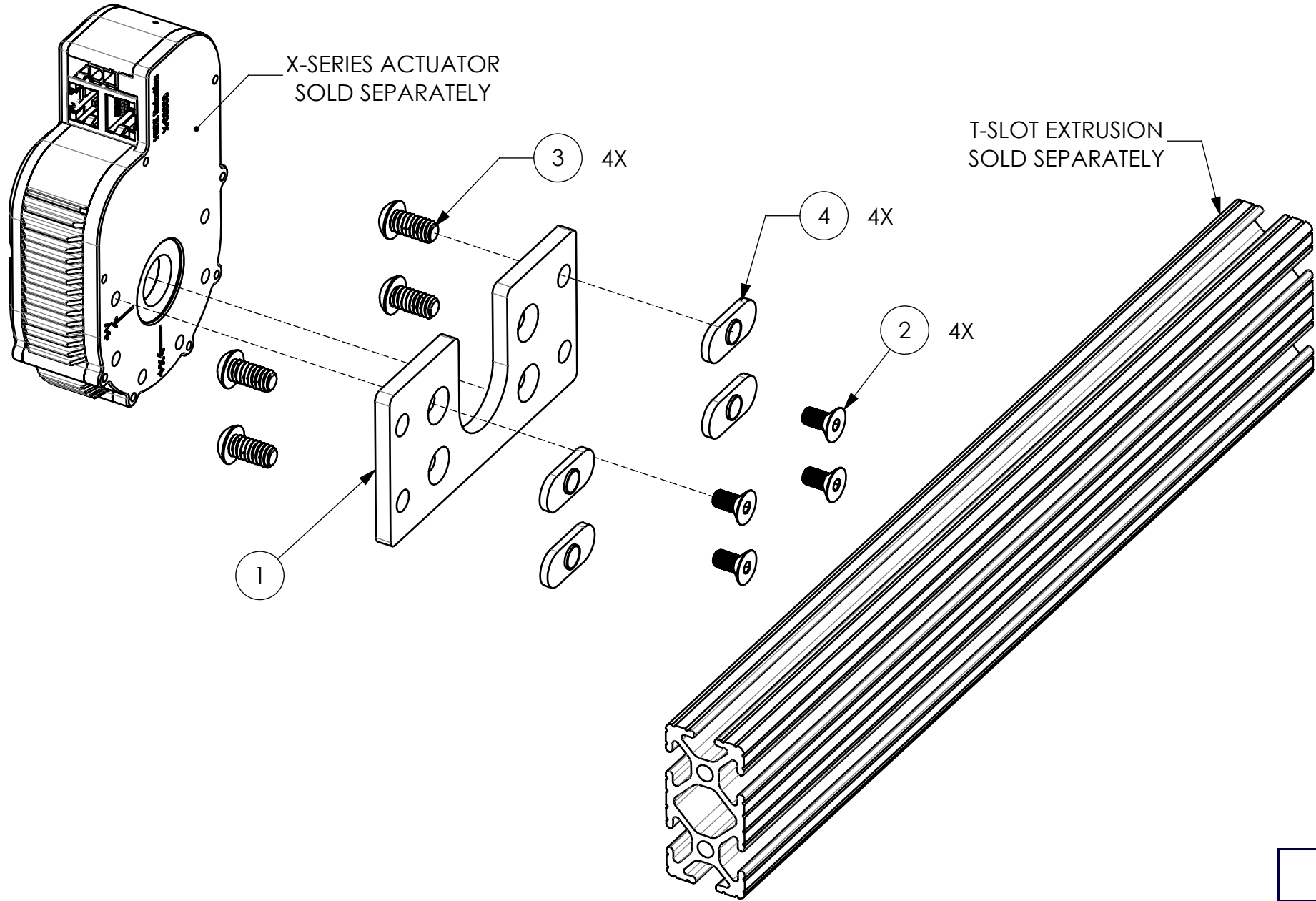
A

D

C

B

A



ITEM	PART NUMBER	DESCRIPTION	QTY
1	PM-2156-25	T-Slot Adapter Plate	1
2	PP-2134-10	M5 FHCS, 10mm Length, Steel	4
3	PP-2137-01	1/4"-20 BHCS, 1/2" Length, Steel	4
4	PP-2138-01	1/4"-20 Nut, For T-Slot Aluminum	4

AUTHORIZATION		HEBI ROBOTICS, INC.	
DFTG: A. Schepelmann	5 Oct 2016	91 43rd St, Suite 200 Pittsburgh, PA 15201	
DSGMR:		PROJECT: X-Series Actuator	
CHKR:		Al. Extrusion Mounting Plate	
ENGR:			
UNLESS OTHERWISE SPECIFIED DIMENSIONS ARE IN MM DO NOT SCALE DRAWING		SIZE B	REV A.05
TOLERANCES: X.X ±.30 X.XX ±.08 ANGLES ±1.00°		SCALE: 2:3	VER
		WEIGHT: 91.309 G	SHEET 1 OF 2
FILE NAME: A-2043-01.SLDDRW			

NOTE: TOTAL WEIGHT EXCLUDES X-SERIES ACTUATOR AND T-SLOT ALUMINUM (SEE CONFIGURATION ON PAGE 2)

THE INFORMATION CONTAINED IN THIS DRAWING IS THE SOLE PROPERTY OF HEBI ROBOTICS, INC. ANY REPRODUCTION IN PART OR WHOLE WITHOUT WRITTEN PERMISSION OF IS PROHIBITED.

6

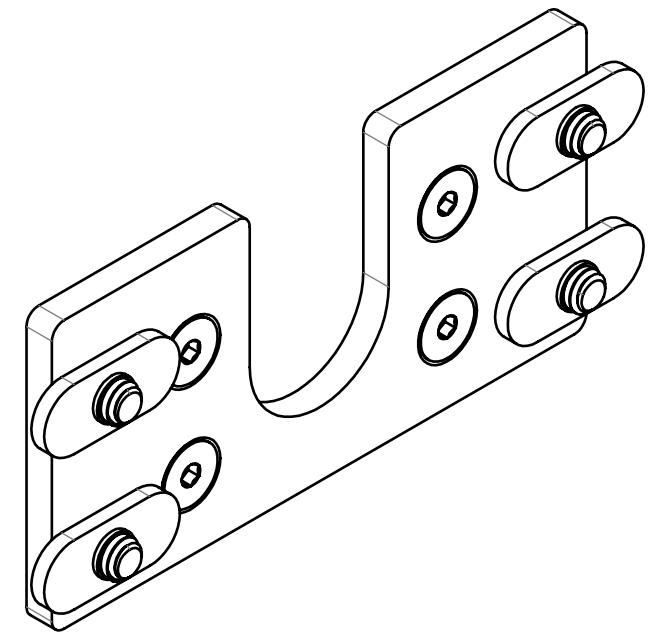
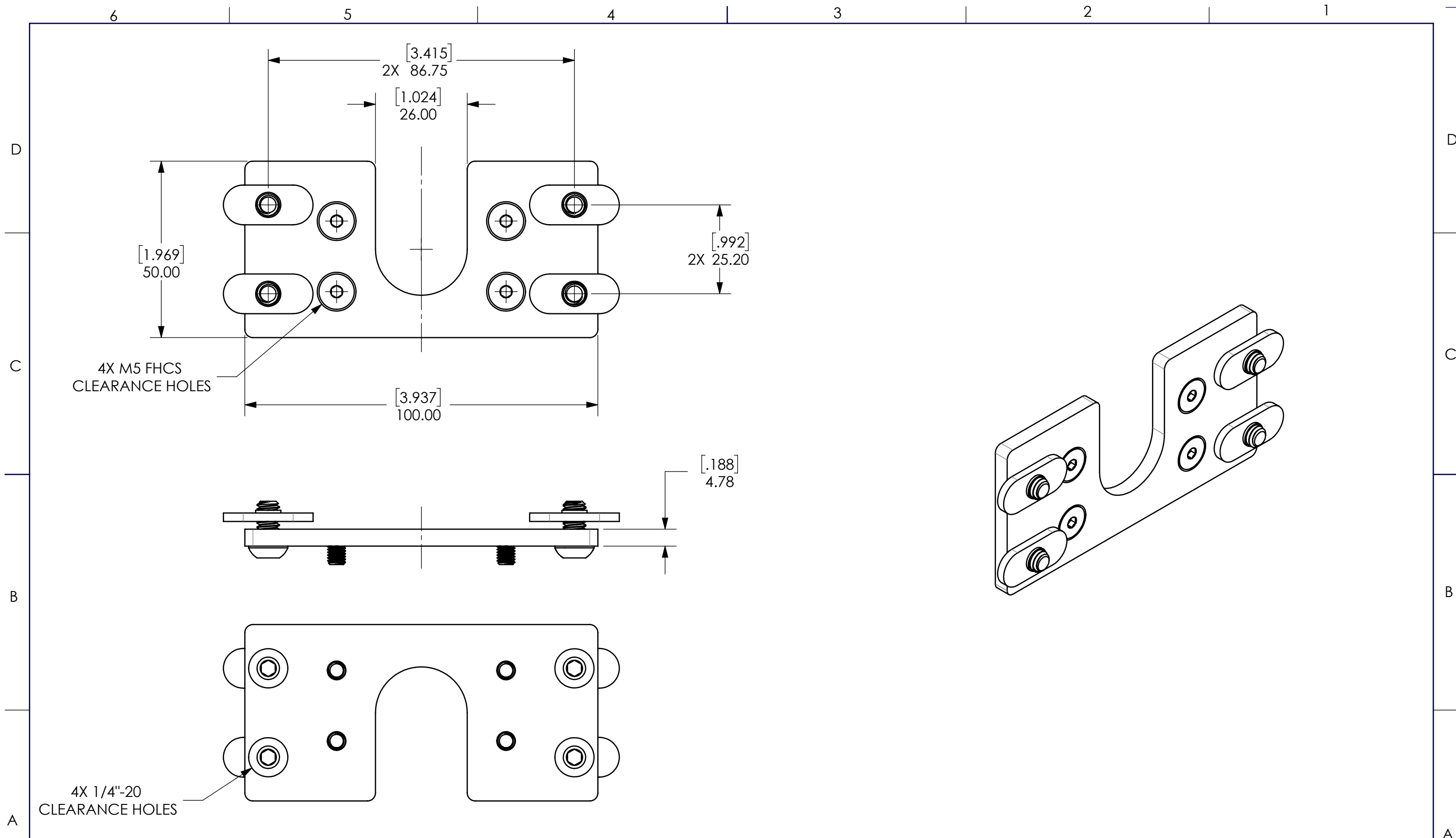
5

4

3

2

FILE NAME: A-2043-01.SLDDRW



THE INFORMATION CONTAINED IN THIS DRAWING IS THE SOLE PROPERTY OF HEBI ROBOTICS, INC. ANY REPRODUCTION IN PART OR WHOLE WITHOUT WRITTEN PERMISSION IS PROHIBITED.

HEBI ROBOTICS, INC.
9143rd St, Suite 200
Pittsburgh, PA 15201

SIZE B	A-2043-01	REV A.05	VER
SCALE: 1:1	SHEET 2 OF 2		