

6

5

4

3

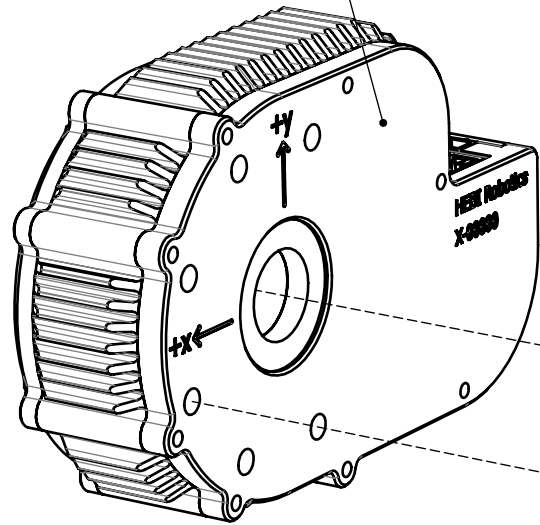
2

1

REVISIONS			
REV.	DESCRIPTION	DATE	APPROVED
A.01	INITIAL DRAFTING AND LAYOUT	5 OCT 2016	A SCHEPELMANN
A.02	M5x12mm BOLTS WERE INCORRECTLY LABELED AS 8mm	23 AUG 2017	A WILLIG
A.03	UPDATED BOM TO ONLY SHOW INCLUDED HARDWARE	24 AUG 2017	A WILLIG
A.04	UPDATED BOM AND NOTES.	5 SEP 2017	A WILLIG

X-SERIES ACTUATOR
SOLD SEPARATELY

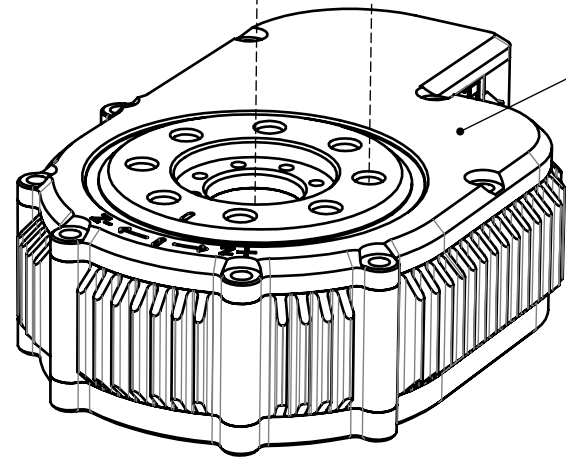
8X (3)



1

2 6X

X-SERIES ACTUATOR
SOLD SEPARATELY



ITEM	PART NUMBER	DESCRIPTION	QTY
1	PM-2132-01R	Light Duty 90 Deg. Bracket - Right	1
2	PP-2131-10	M5 SHCS, 10mm Length, Steel	6
3	PP-2131-12	M5 SHCS, 12mm Length, Steel	8

AUTHORIZATION

DFTG:	A. Schepelmann	5 Oct 2016
DSGMR:		
CHKR:		
ENGR:		

HEBI ROBOTICS, INC.

91 43rd St, Suite 200
Pittsburgh, PA 15201

PROJECT: X-Series Actuator

90 Deg. Bracket
Light Duty - Right

UNLESS OTHERWISE SPECIFIED
DIMENSIONS ARE IN MM
DO NOT SCALE DRAWING

TOLERANCES:	X.X	±.30
	X.XX	±.08
	ANGLES	±1.00°

SIZE	A-2042-01R	REV	VER
B		A.04	

SCALE:	1:1	WEIGHT:	89.059 G	SHEET	1 OF 2
--------	-----	---------	----------	-------	--------

NOTE: TOTAL WEIGHT EXCLUDES X-SERIES ACTUATORS (SEE CONFIGURATION ON SHEET 2)

THE INFORMATION CONTAINED IN THIS DRAWING IS THE SOLE PROPERTY OF
HEBI ROBOTICS, INC. ANY REPRODUCTION IN PART OR WHOLE WITHOUT
WRITTEN PERMISSION OF IS PROHIBITED.

6

5

4

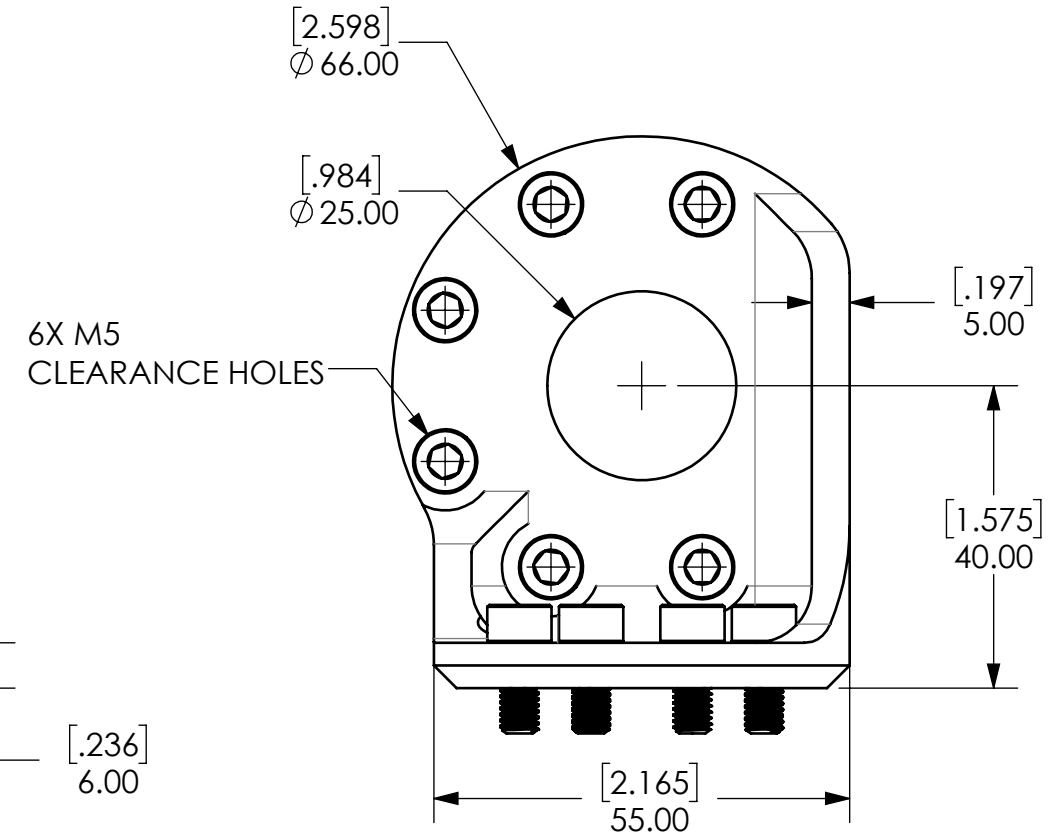
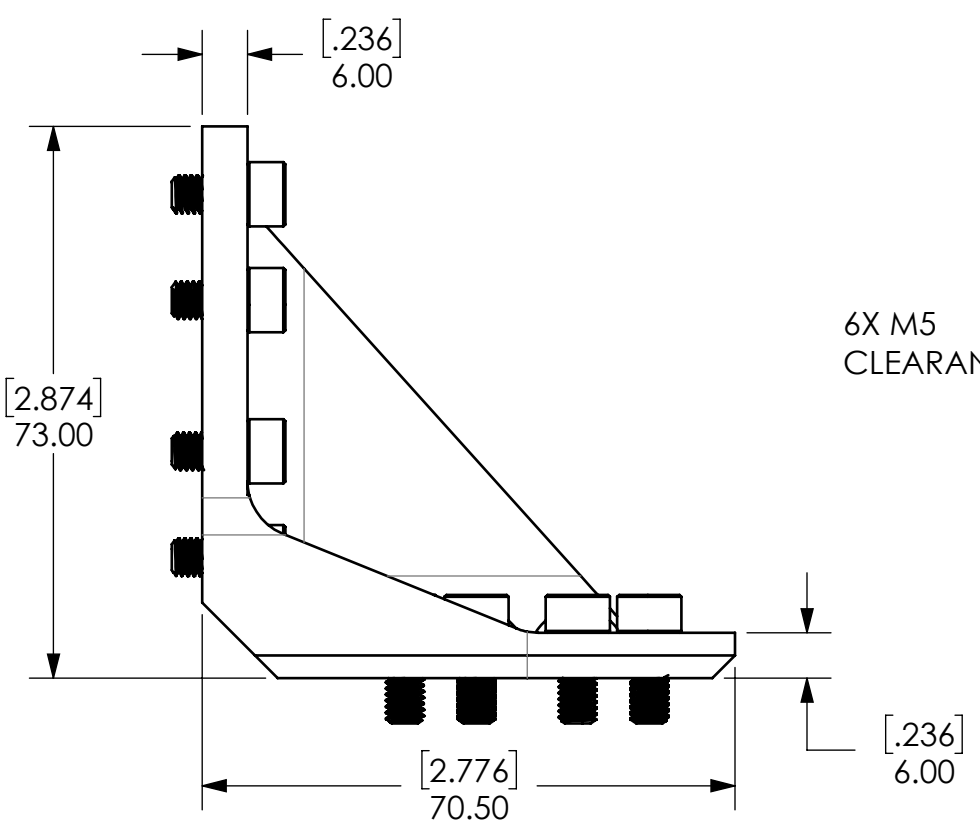
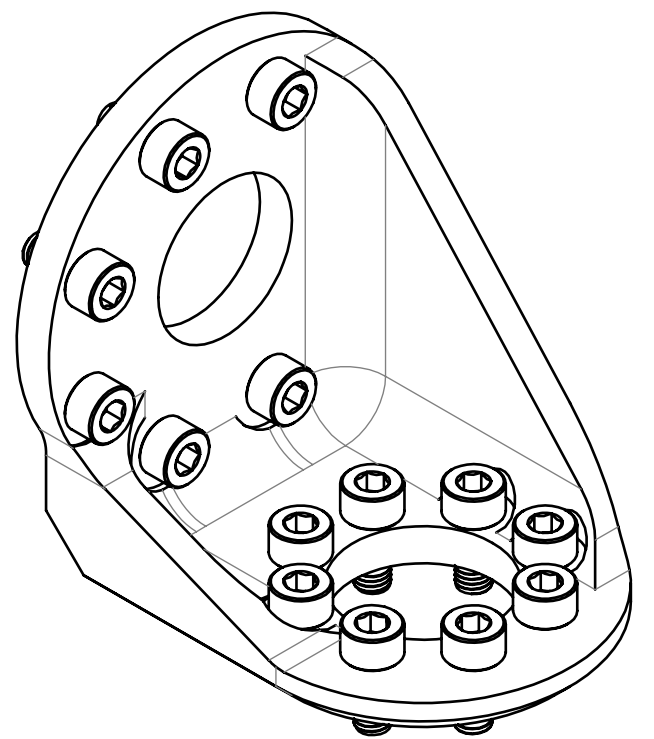
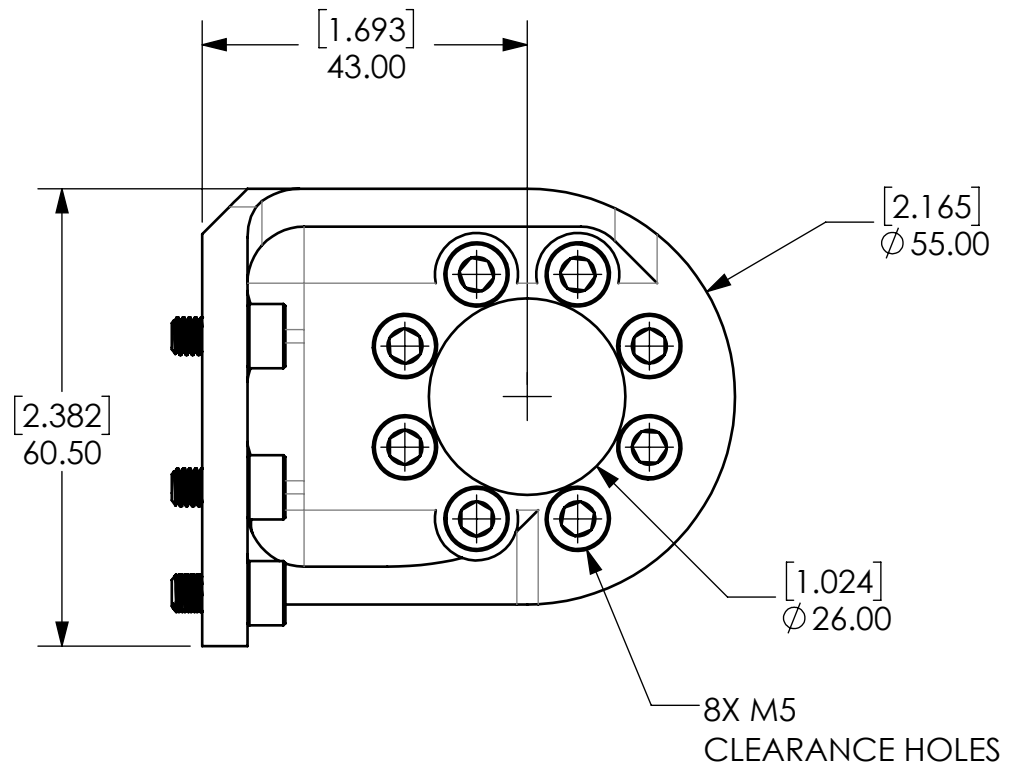
3

2

FILE NAME: A-2042-01R.SLDDRW

6 5 4 3 2 1

D
C
B
A



THE INFORMATION CONTAINED IN THIS DRAWING IS THE SOLE PROPERTY OF HEBI ROBOTICS, INC. ANY REPRODUCTION IN PART OR WHOLE WITHOUT WRITTEN PERMISSION IS PROHIBITED.

HEBI ROBOTICS, INC.
9143rd St, Suite 200
Pittsburgh, PA 15201

SIZE B	A-2042-01R	REV A.04	VER
SCALE: 1:1	SHEET 2	OF	2

6 5 4 3 2 1

D
C
B
A