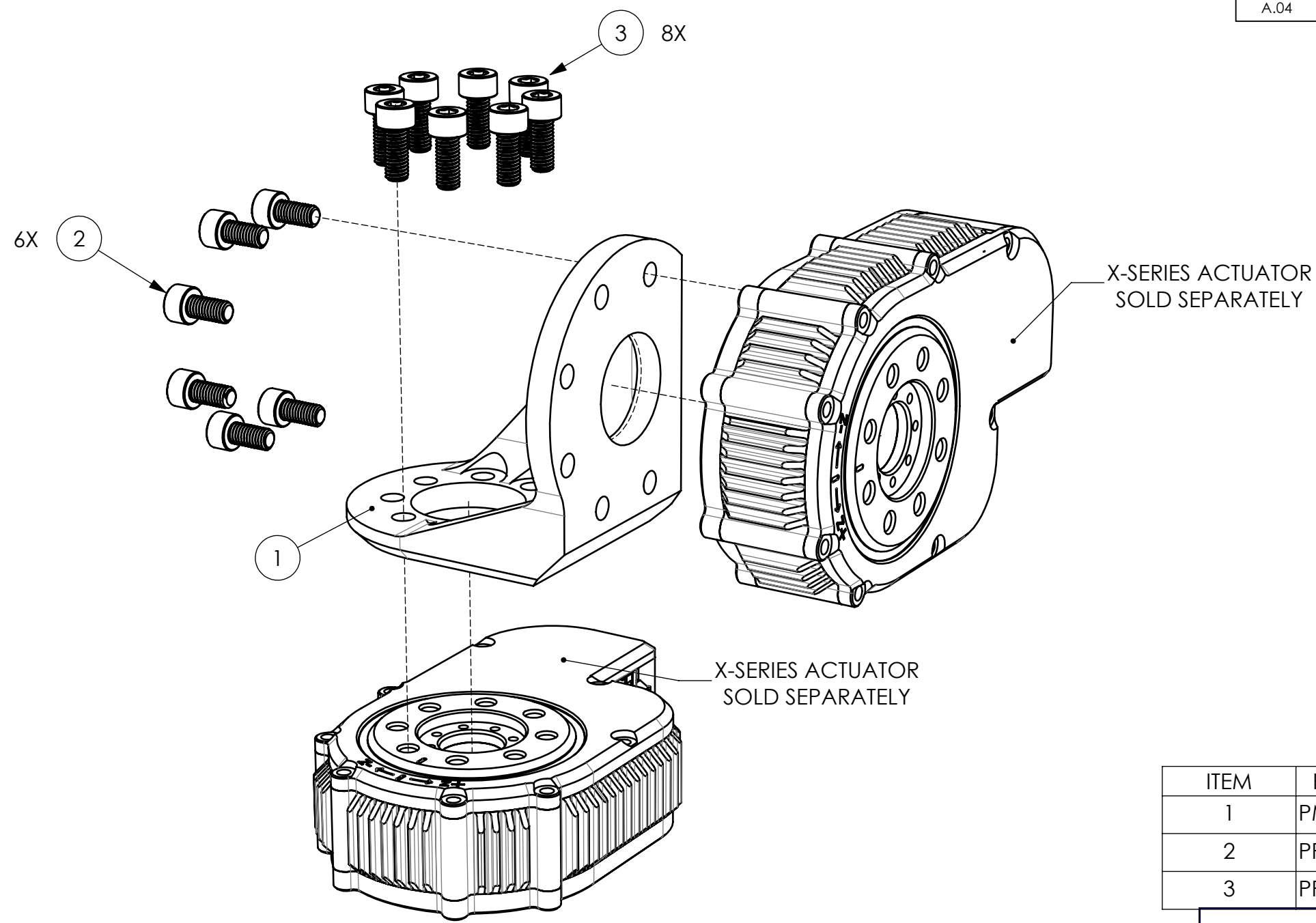


REVISIONS			
REV.	DESCRIPTION	DATE	APPROVED
A.01	INITIAL DRAFTING, BASED ON RIGHT VARIANT.	20 JUN 2017	D ROLLINSON
A.02	M5x12mm BOLTS WERE INCORRECTLY LABELED AS 8mm	23 AUG 2017	A WILLIG
A.03	UPDATED BOM TO ONLY SHOW INCLUDED HARDWARE	24 AUG 2017	A WILLIG
A.04	UPDATED NOTES AND BOM	5 SEP 2017	A WILLIG



ITEM	PART NUMBER	DESCRIPTION	QTY
1	PM-2132-01L	Light Duty 90 Deg. Bracket - Left	1
2	PP-2131-10	M5 SHCS, 10mm Length, Steel	6
3	PP-2131-12	M5 SHCS, 12mm Length, Steel	8

AUTHORIZATION		HEBI ROBOTICS, INC.	
DFTG: D ROLLINSON	20 JUN 2017	91 43rd St, Suite 200 Pittsburgh, PA 15201	
DSGMR:		PROJECT: X-Series Actuator	
CHKR:		90 Deg. Bracket Light Duty - Left	
ENGR:			
UNLESS OTHERWISE SPECIFIED DIMENSIONS ARE IN MM DO NOT SCALE DRAWING		SIZE B	REV A.04
TOLERANCES: X.X ±.30 X.XX ±.08 ANGLES ±1.00°		SCALE: 1:1	WEIGHT: 89.060 G
		SHEET 1 OF 2	FILE NAME: A-2042-01L.SLDDRW

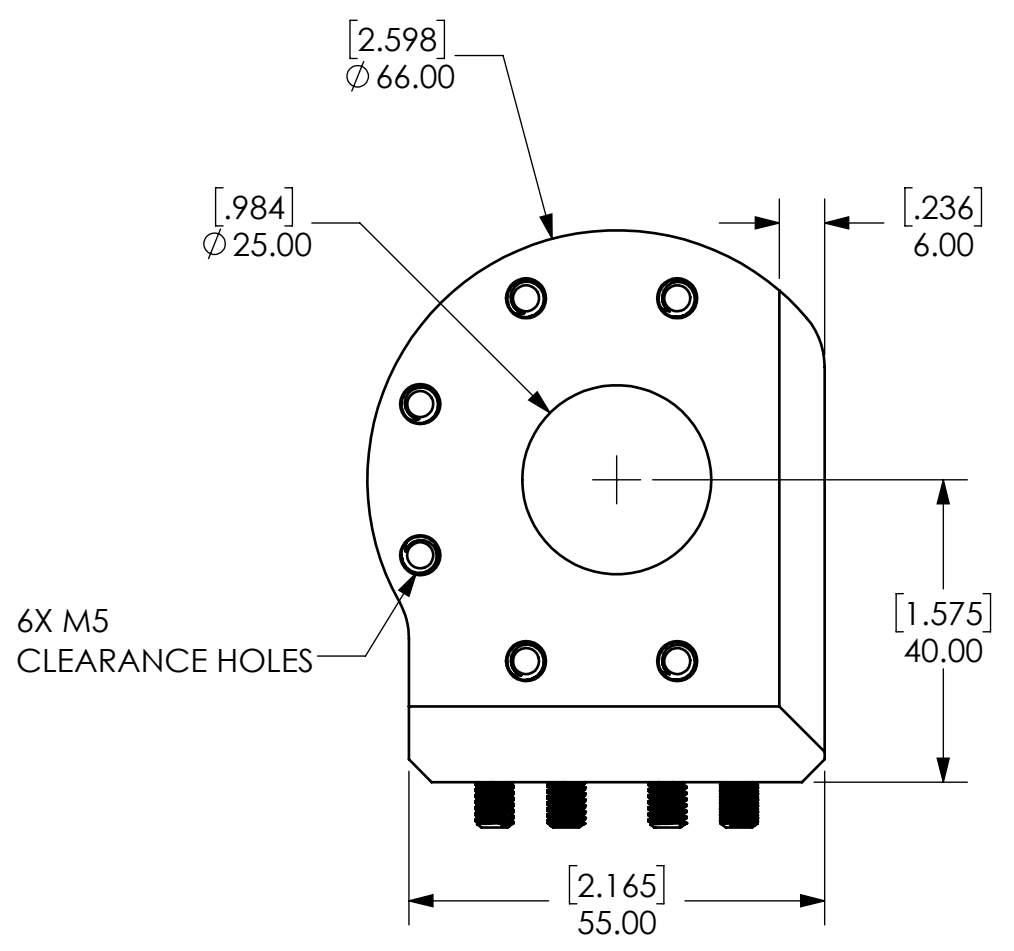
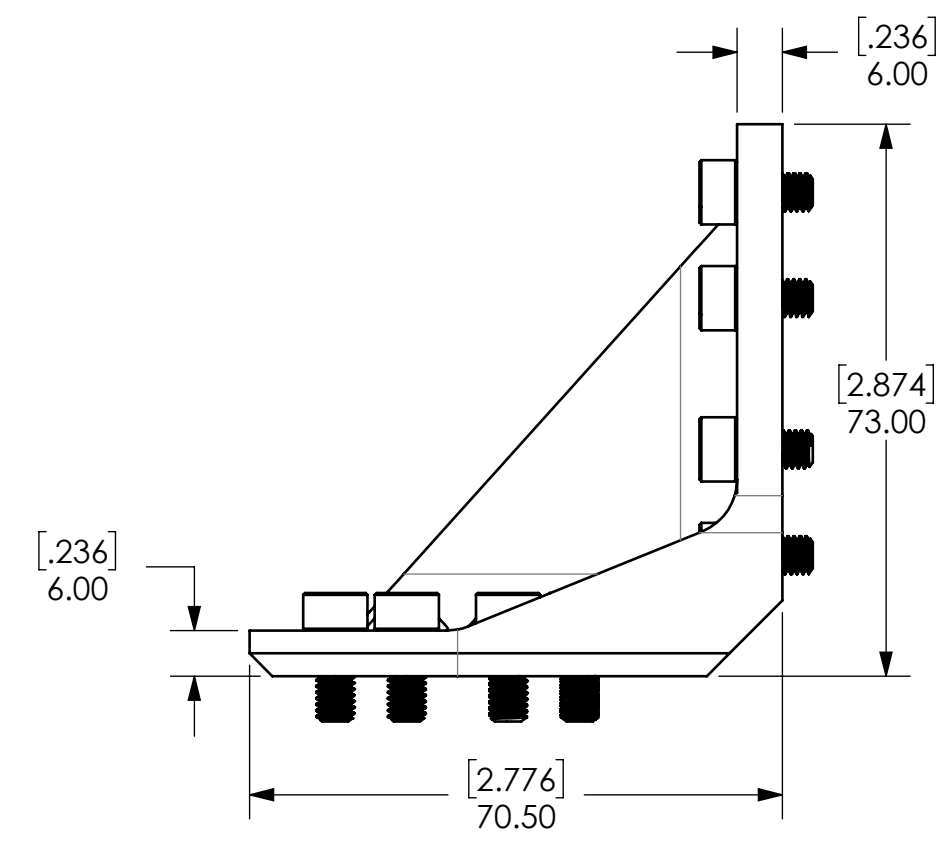
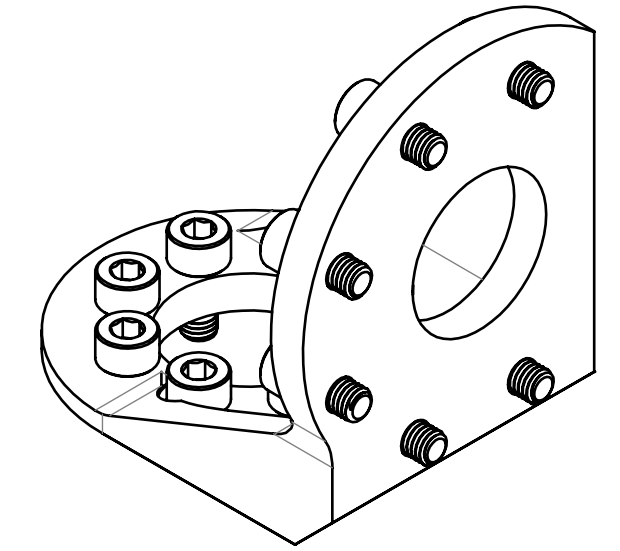
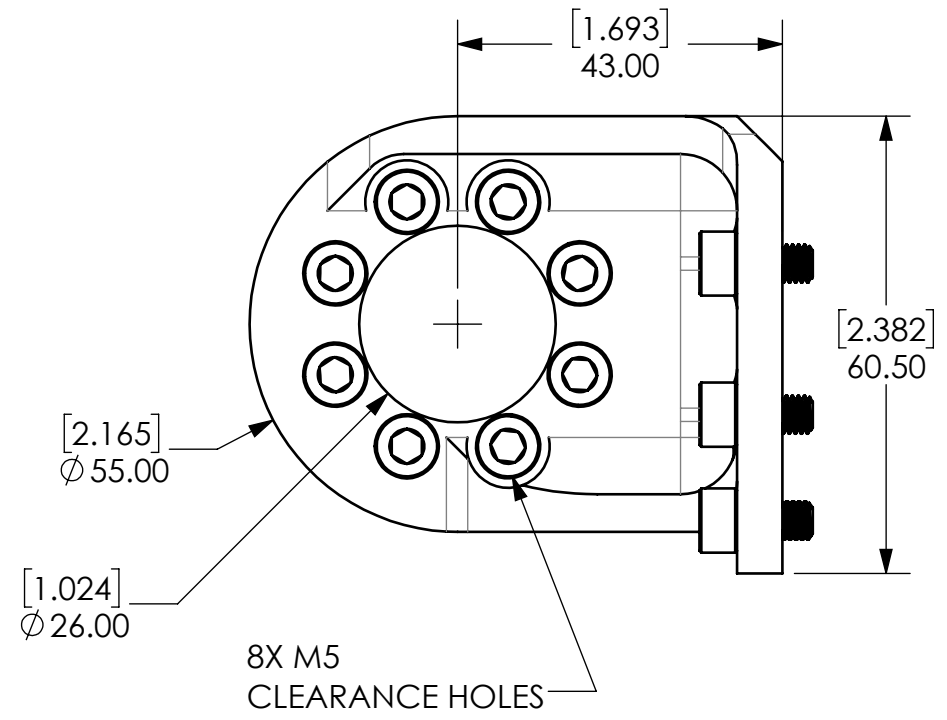
NOTE: TOTAL WEIGHT EXCLUDES X-SERIES ACTUATORS (SEE CONFIGURATION ON SHEET 2)

THE INFORMATION CONTAINED IN THIS DRAWING IS THE SOLE PROPERTY OF HEBI ROBOTICS, INC. ANY REPRODUCTION IN PART OR WHOLE WITHOUT WRITTEN PERMISSION OF IS PROHIBITED.

6 5 4 3 2 1

D
C
B
A

D
C
B
A



THE INFORMATION CONTAINED IN THIS DRAWING IS THE SOLE PROPERTY OF HEBI ROBOTICS, INC. ANY REPRODUCTION IN PART OR WHOLE WITHOUT WRITTEN PERMISSION IS PROHIBITED.

HEBI ROBOTICS, INC.
9143rd St, Suite 200
Pittsburgh, PA 15201

SIZE B	A-2042-01L	REV A.04
SCALE: 1:1	SHEET 2 OF 2	

6 5 4 3 2 1