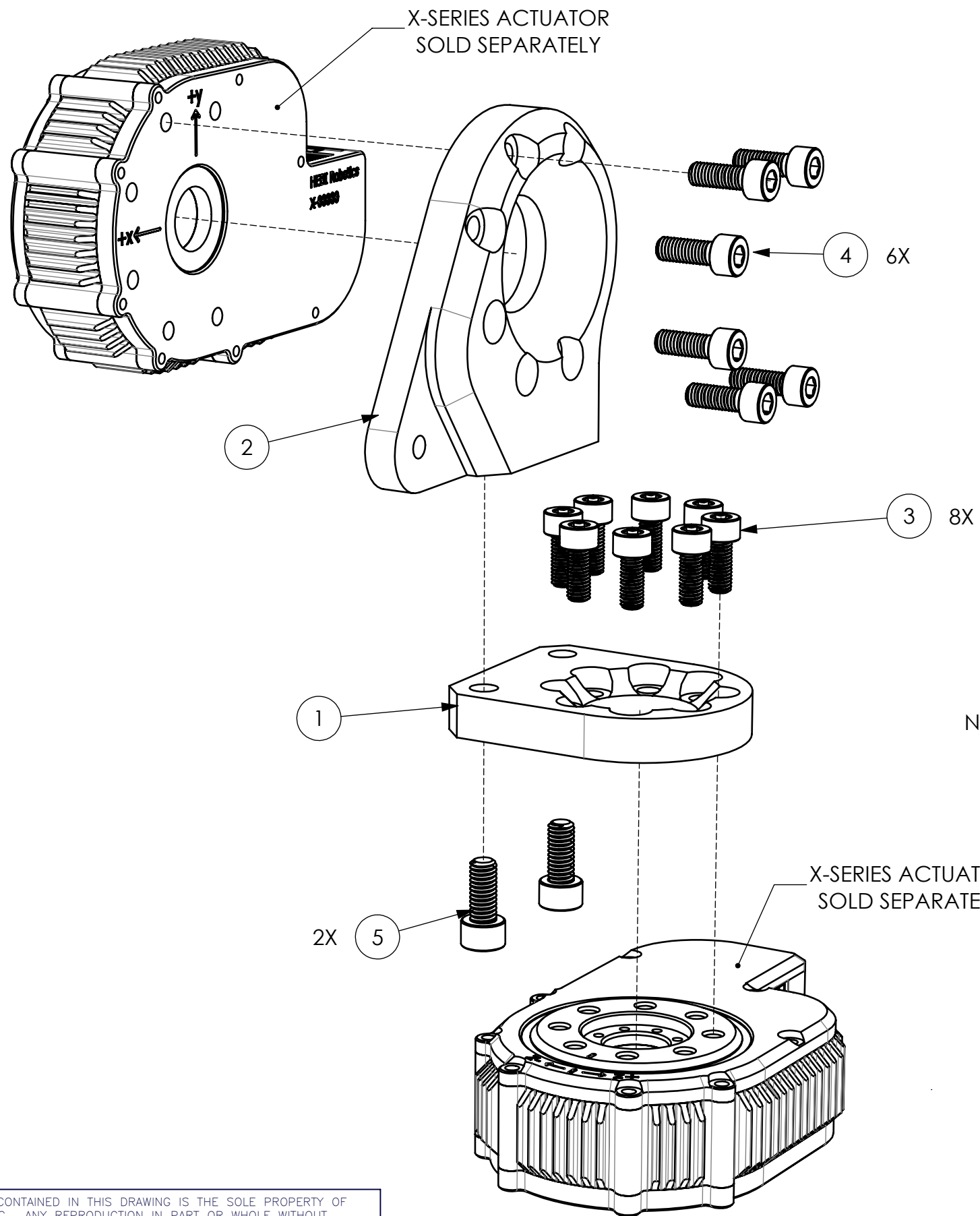


RIGHT-OUTSIDE



NOTE: TOTAL WEIGHT EXCLUDES X-SERIES ACTUATORS (SEE CONFIGURATION ON SHEET 3)

ITEM	PART NUMBER	DESCRIPTION	QTY
1	PM-2149-01	Heavy Bracket Bottom	1
2	PM-2150-01R	X-Series Heavy Bracket, Right	1
3	PP-2131-12	M5 SHCS, 12mm Length, Steel	8
4	PP-2131-14	M5 SHCS, 14mm Length, Steel	6
5	PP-2132-12	M6 SHCS, 12mm Length, Steel	2

AUTHORIZATION

DFTG:	A. Schepelmann	4 Oct 2016
DSGMR:		
CHKR:		
ENGR:		

HEBI ROBOTICS, INC.

91 43rd St, Suite 200
Pittsburgh, PA 15201

PROJECT: X-Series Actuator

90-Deg. Bracket
Heavy Duty - Right

UNLESS OTHERWISE SPECIFIED
DIMENSIONS ARE IN MM
DO NOT SCALE DRAWING

TOLERANCES:	X.X	±.30
	X.XX	±.08
	ANGLES	±1.00°

SIZE	A-2040-01R	REV	VER
B		A.04	

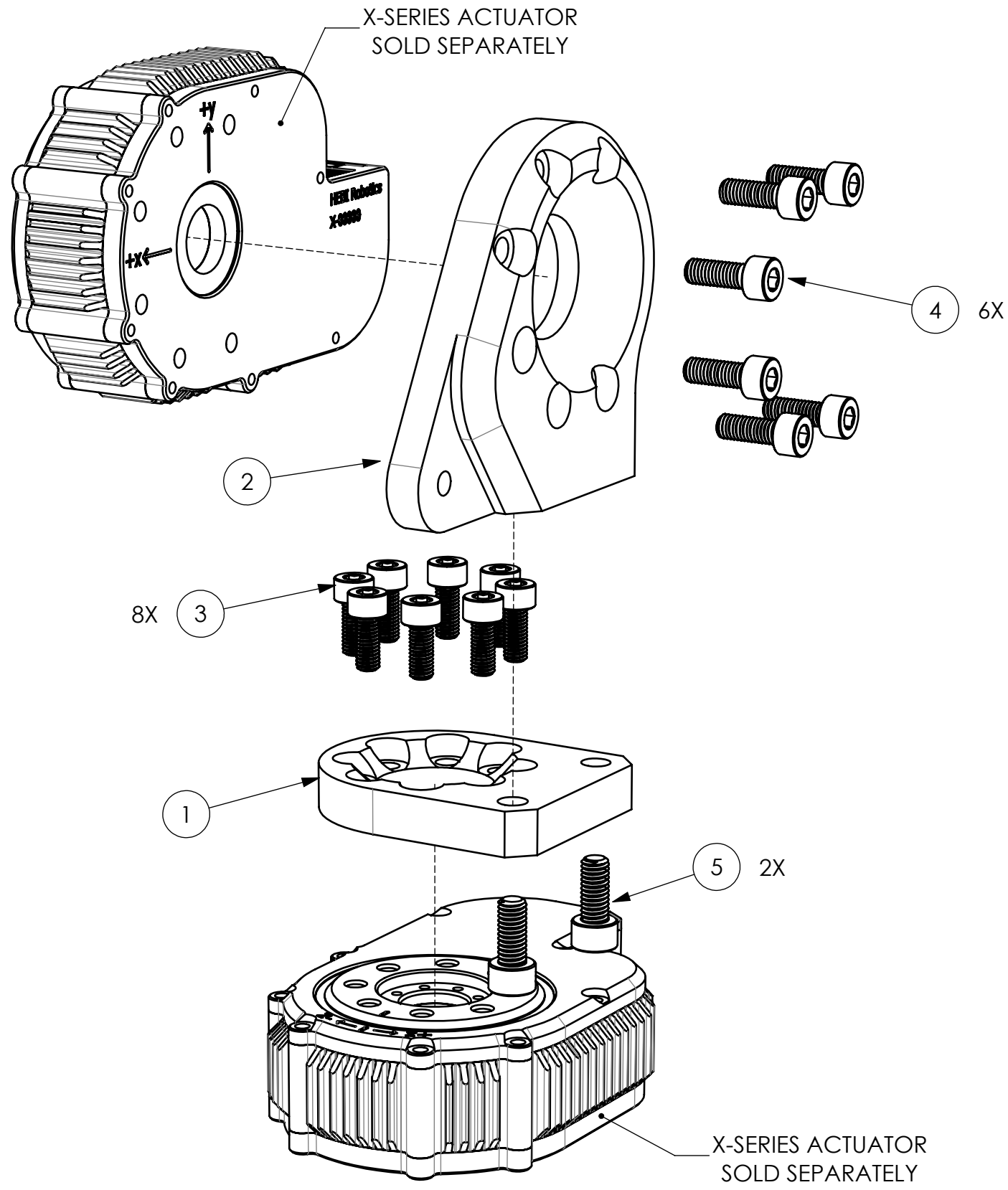
SCALE:	1:1	WEIGHT:	246.06 G	SHEET	1 OF 4
--------	-----	---------	----------	-------	--------

FILE NAME: A-2040-01R.SLDDRW

THE INFORMATION CONTAINED IN THIS DRAWING IS THE SOLE PROPERTY OF HEBI ROBOTICS, INC. ANY REPRODUCTION IN PART OR WHOLE WITHOUT WRITTEN PERMISSION OF IS PROHIBITED.

REVISIONS			
REV.	DESCRIPTION	DATE	APPROVED
A.01	INITIAL DRAFTING AND LAYOUT.	4 OCT 2016	A SCHEPELMANN
A.02	UDPATED PART NUMBER TO -01R.	20 JUN 2017	D ROLLINSON
A.03	UPDATED BOLT LENGTHS TO BE CORRECT. UPDATED BOM TO ONLY SHOW INCLUDED HARDWARE.	24 AUG 2017	A WILLIG
A.04	UPDATED NOTES AND BOM. REARRANGE D SHEET LAYOUT.	5 SEP 2017	A WILLIG

RIGHT-INSIDE



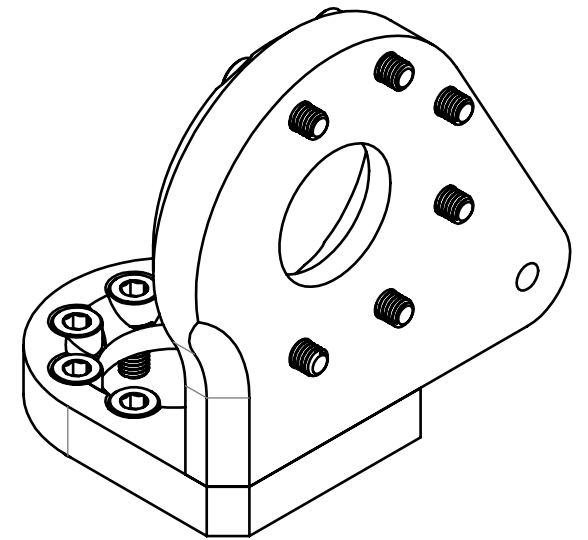
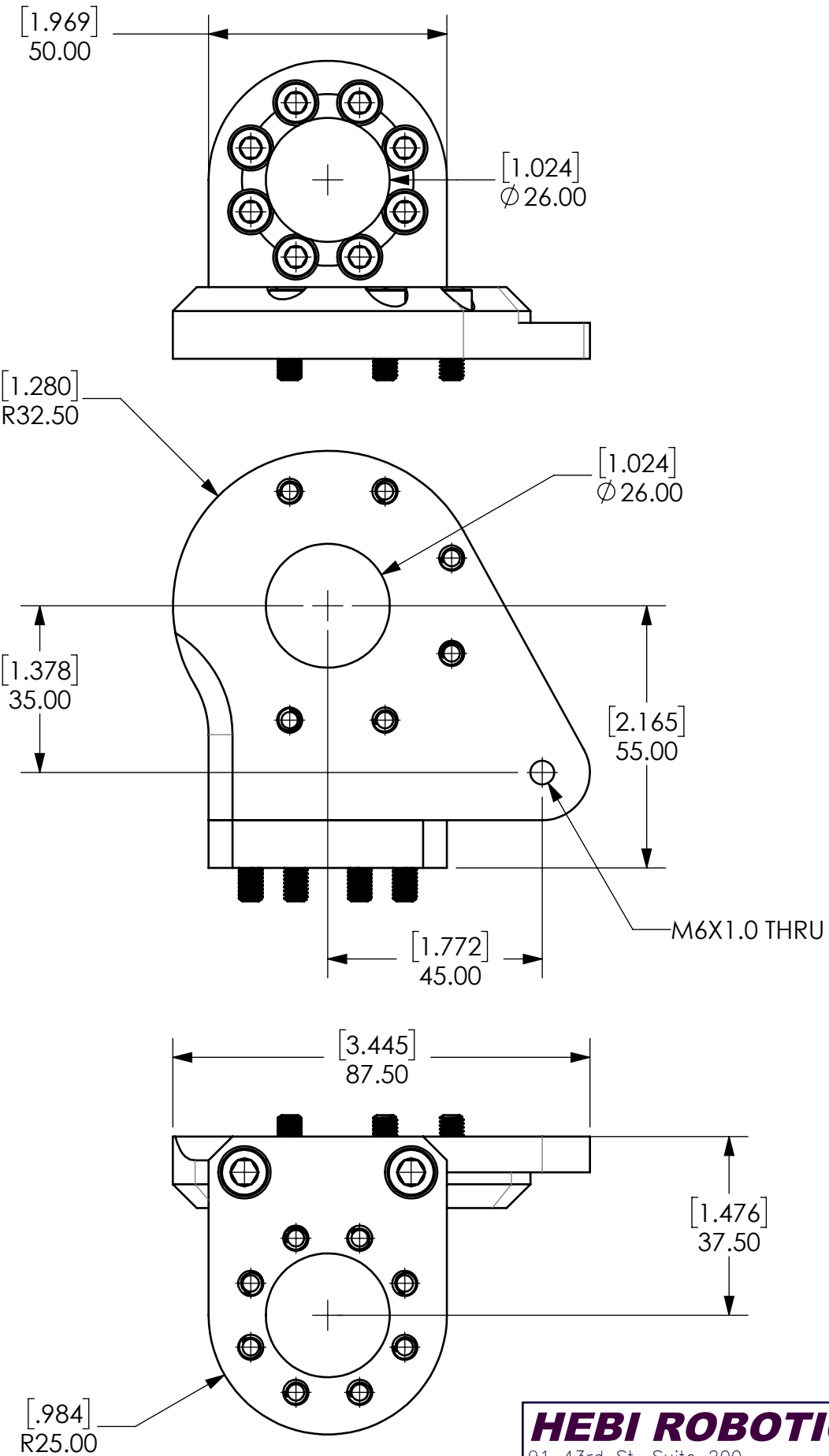
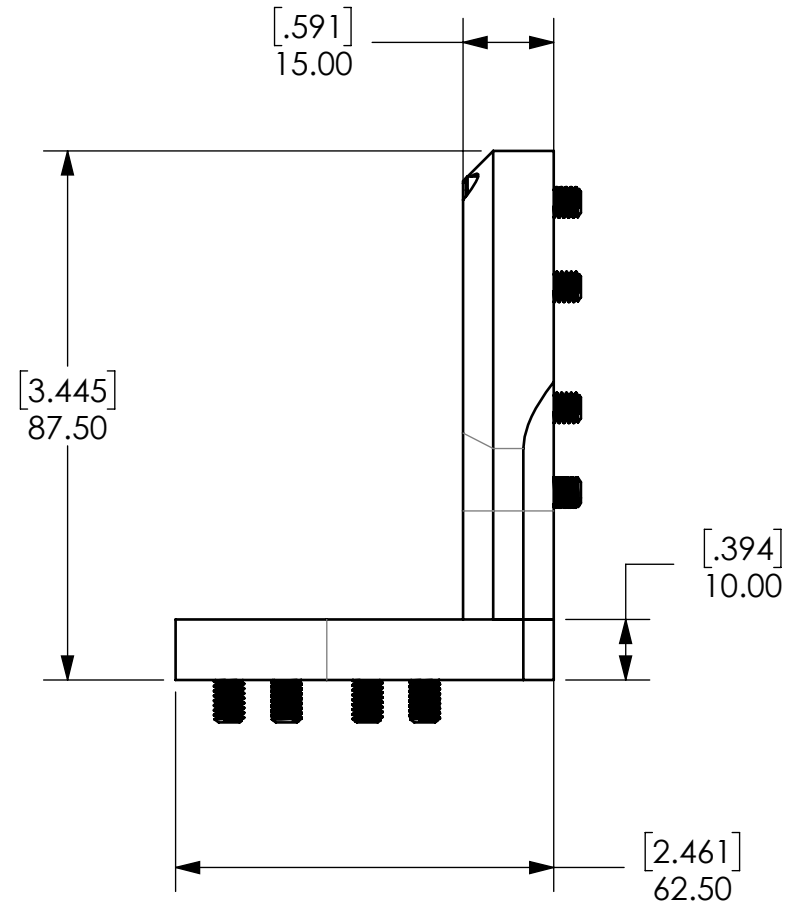
ITEM	PART NUMBER	DESCRIPTION	QTY
1	PM-2149-01	Heavy Bracket Bottom	1
2	PM-2150-01R	X-Series Heavy Bracket, Right	1
3	PP-2131-12	M5 SHCS, 12mm Length, Steel	8
4	PP-2131-14	M5 SHCS, 14mm Length, Steel	6
5	PP-2132-12	M6 SHCS, 12mm Length, Steel	2

HEBI ROBOTICS, INC.
 9143rd St, Suite 200
 Pittsburgh, PA 15201

SIZE B	A-2040-01R	REV A.04
SCALE: 1:1	SHEET 2 OF 4	

THE INFORMATION CONTAINED IN THIS DRAWING IS THE SOLE PROPERTY OF HEBI ROBOTICS, INC. ANY REPRODUCTION IN PART OR WHOLE WITHOUT WRITTEN PERMISSION IS PROHIBITED.

RIGHT-OUTSIDE

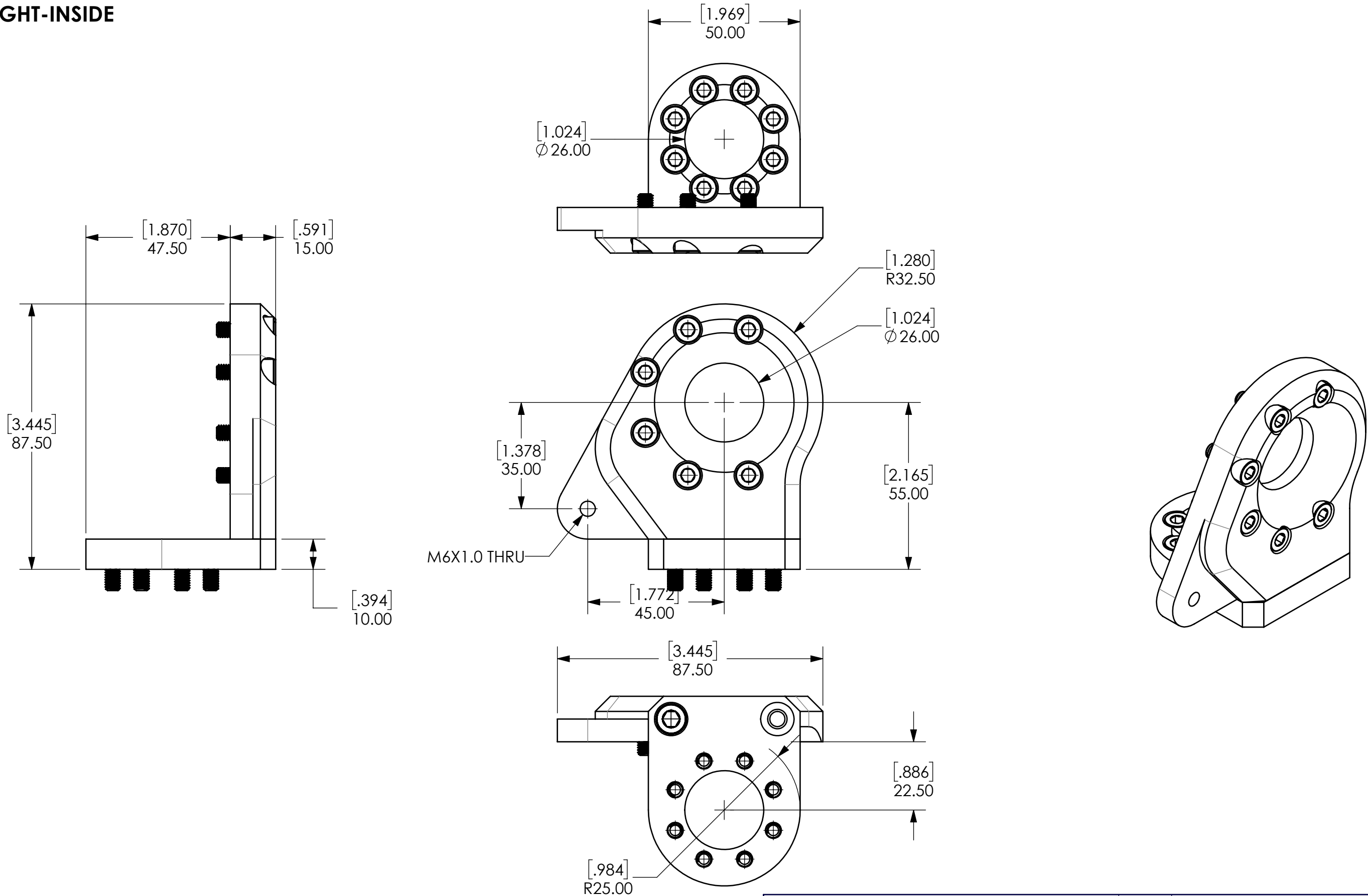


THE INFORMATION CONTAINED IN THIS DRAWING IS THE SOLE PROPERTY OF HEBI ROBOTICS, INC. ANY REPRODUCTION IN PART OR WHOLE WITHOUT WRITTEN PERMISSION IS PROHIBITED.

HEBI ROBOTICS, INC.
 9143rd St, Suite 200
 Pittsburgh, PA 15201

SIZE B	A-2040-01R	REV A.04	VER
SCALE: 1:1.25	SHEET 3	OF	4

RIGHT-INSIDE



THE INFORMATION CONTAINED IN THIS DRAWING IS THE SOLE PROPERTY OF HEBI ROBOTICS, INC. ANY REPRODUCTION IN PART OR WHOLE WITHOUT WRITTEN PERMISSION IS PROHIBITED.

HEBI ROBOTICS, INC.
 9143rd St, Suite 200
 Pittsburgh, PA 15201

SIZE B	A-2040-01R	REV A.04	VER 04
SCALE: 1:1.25	SHEET 4 OF 4		