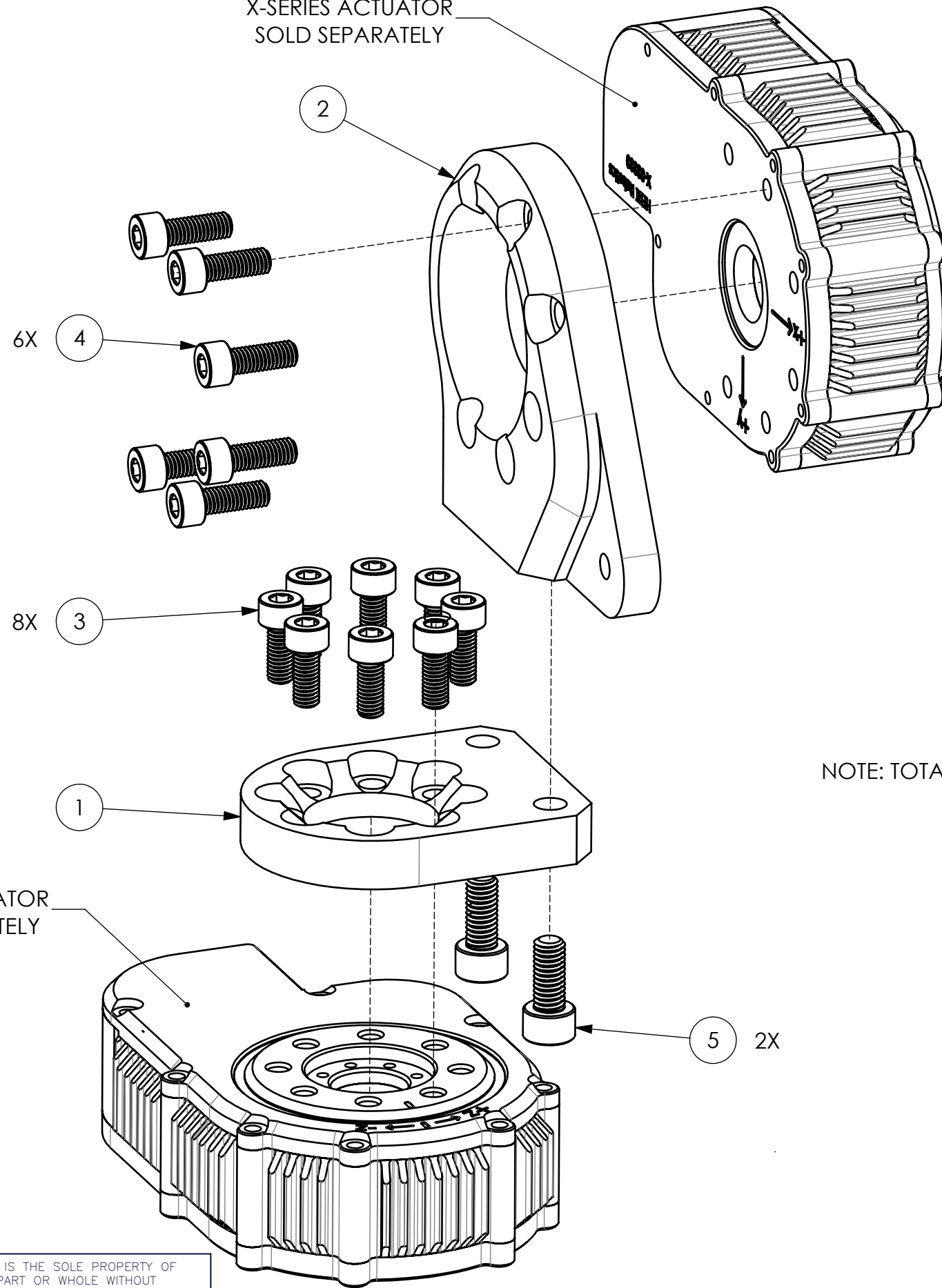


**LEFT-OUTSIDE**

X-SERIES ACTUATOR  
SOLD SEPARATELY

X-SERIES ACTUATOR  
SOLD SEPARATELY



REVISIONS			
REV.	DESCRIPTION	DATE	APPROVED
A.01	INITIAL DRAFTING, BASED ON RIGHT VARIANT.	20 JUN 2017	D ROLLINSON
A.02	UPDATED BOLT LENGTHS TO BE CORRECT. UPDATED BOM TO ONLY SHOW INCLUDED HARDWARE.	24 AUG 2017	A WILLIG
A.03	UPDATED NOTES AND BOM. REARRANGED SHEET LAYOUT.	5 SEP 2017	A WILLIG

NOTE: TOTAL WEIGHT EXCLUDES X-SERIES ACTUATORS (SEE CONFIGURATION ON SHEET 3)

ITEM	PART NUMBER	DESCRIPTION	QTY
1	PM-2149-01	Heavy Bracket Bottom	1
2	PM-2150-01L	X-Series Heavy Bracket, Right	1
3	PP-2131-12	M5 SHCS, 12mm Length, Steel	8
4	PP-2131-14	M5 SHCS, 14mm Length, Steel	6
5	PP-2132-12	M6 SHCS, 12mm Length, Steel	2

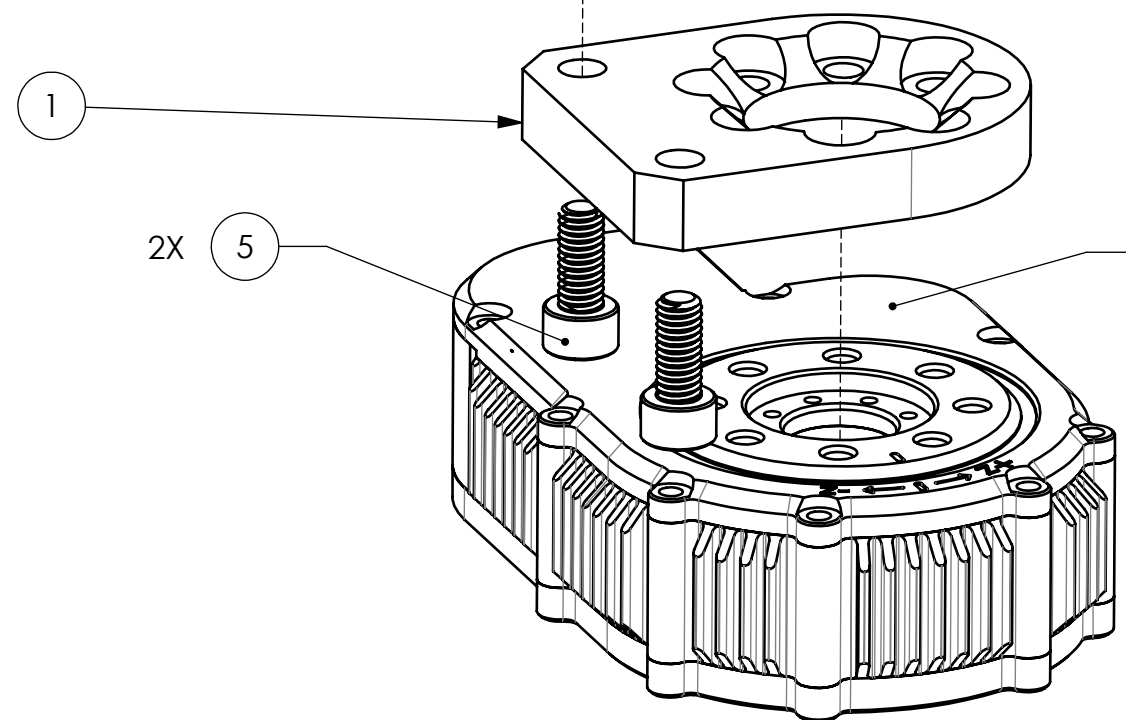
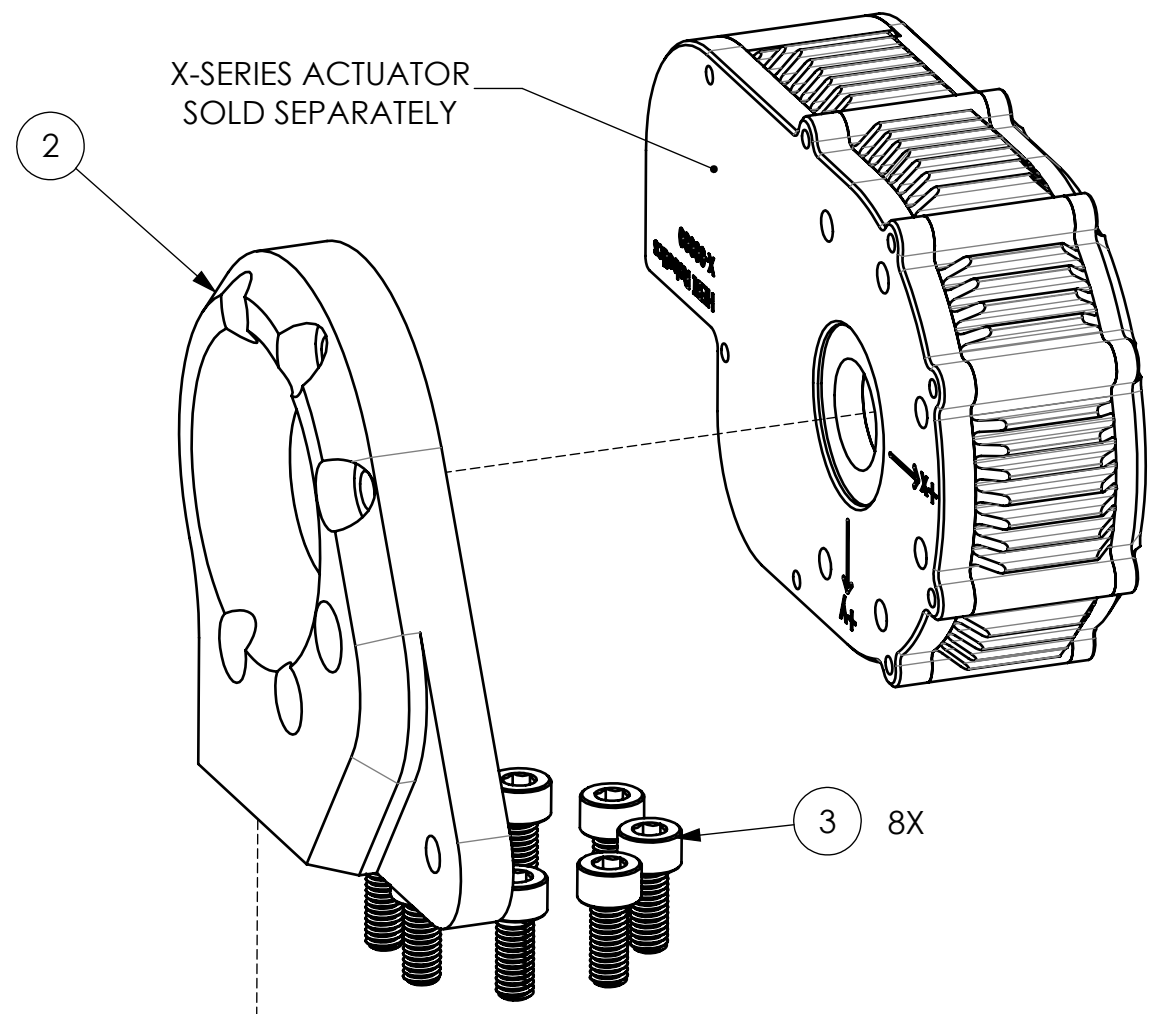
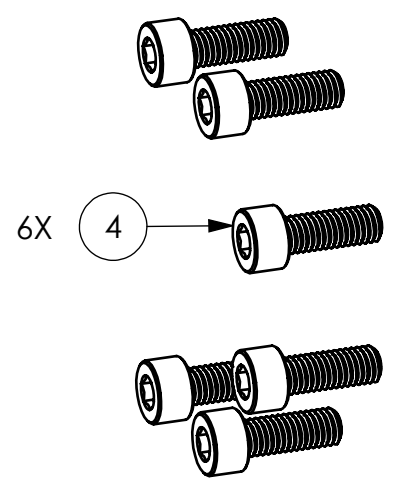
AUTHORIZATION		<b>HEBI ROBOTICS, INC.</b>	
DFTG: D ROLLINSON	20 JUN 2017	91 43rd St, Suite 200 Pittsburgh, PA 15201	
DSGMR:		PROJECT: X-Series Actuator	
CHKR:		90-Deg. Bracket Heavy Duty - Left	
ENGR:			
UNLESS OTHERWISE SPECIFIED DIMENSIONS ARE IN MM DO NOT SCALE DRAWING		SIZE <b>B</b>	REV <b>A.03</b>
TOLERANCES: X.X ±.30 X.XX ±.08 ANGLES ±1.00°		SCALE: 1:1	VER
		WEIGHT: 198.23 G	SHEET 1 OF 4
FILE NAME: A-2040-01L.SLDDRW			

THE INFORMATION CONTAINED IN THIS DRAWING IS THE SOLE PROPERTY OF HEBI ROBOTICS, INC. ANY REPRODUCTION IN PART OR WHOLE WITHOUT WRITTEN PERMISSION OF IS PROHIBITED.

**LEFT-INSIDE**

X-SERIES ACTUATOR  
SOLD SEPARATELY

X-SERIES ACTUATOR  
SOLD SEPARATELY



3 8X

2X 5

ITEM	PART NUMBER	DESCRIPTION	QTY
1	PM-2149-01	Heavy Bracket Bottom	1
2	PM-2150-01L	X-Series Heavy Bracket, Right	1
3	PP-2131-12	M5 SHCS, 12mm Length, Steel	8
4	PP-2131-14	M5 SHCS, 14mm Length, Steel	6
5	PP-2132-12	M6 SHCS, 12mm Length, Steel	2

**HEBI ROBOTICS, INC.**

9143rd St, Suite 200  
Pittsburgh, PA 15201

SIZE  
**B**

**A-2040-01L**

REV  
**A.03**

SCALE:  
**1:1**

SHEET  
**2 OF 4**

THE INFORMATION CONTAINED IN THIS DRAWING IS THE SOLE PROPERTY OF HEBI ROBOTICS, INC. ANY REPRODUCTION IN PART OR WHOLE WITHOUT WRITTEN PERMISSION IS PROHIBITED.

**LEFT-OUTSIDE**

D

C

B

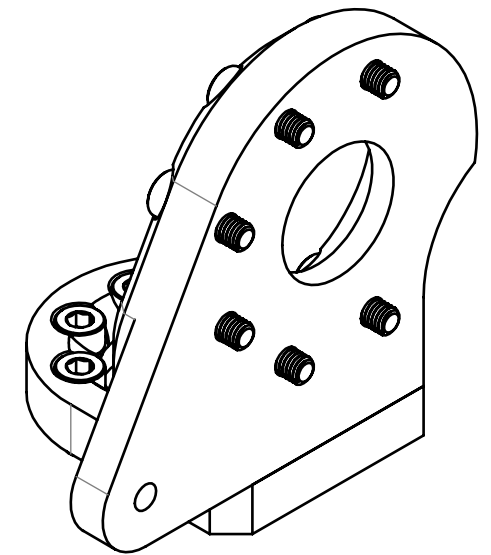
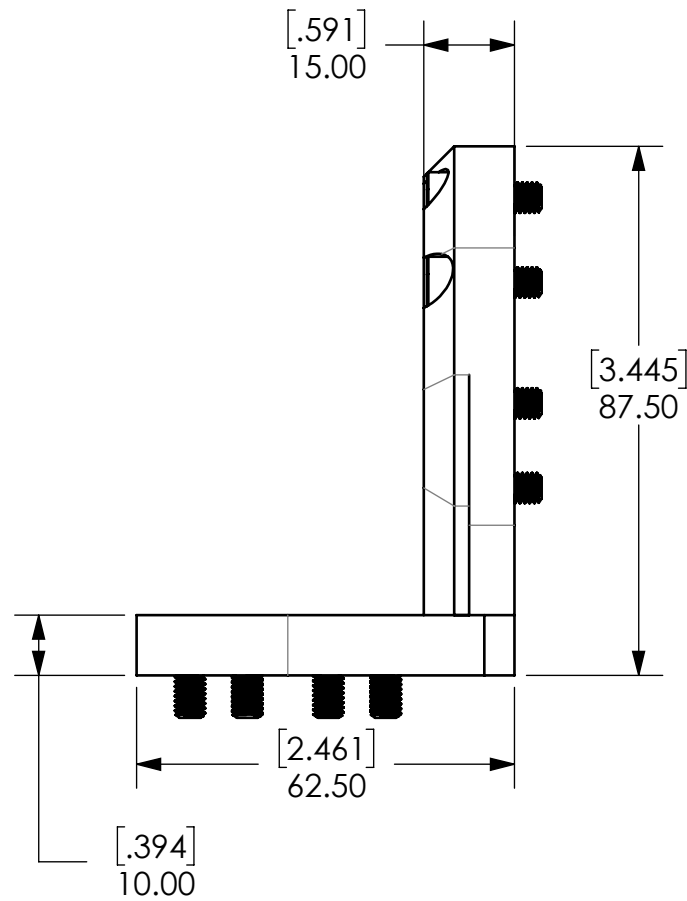
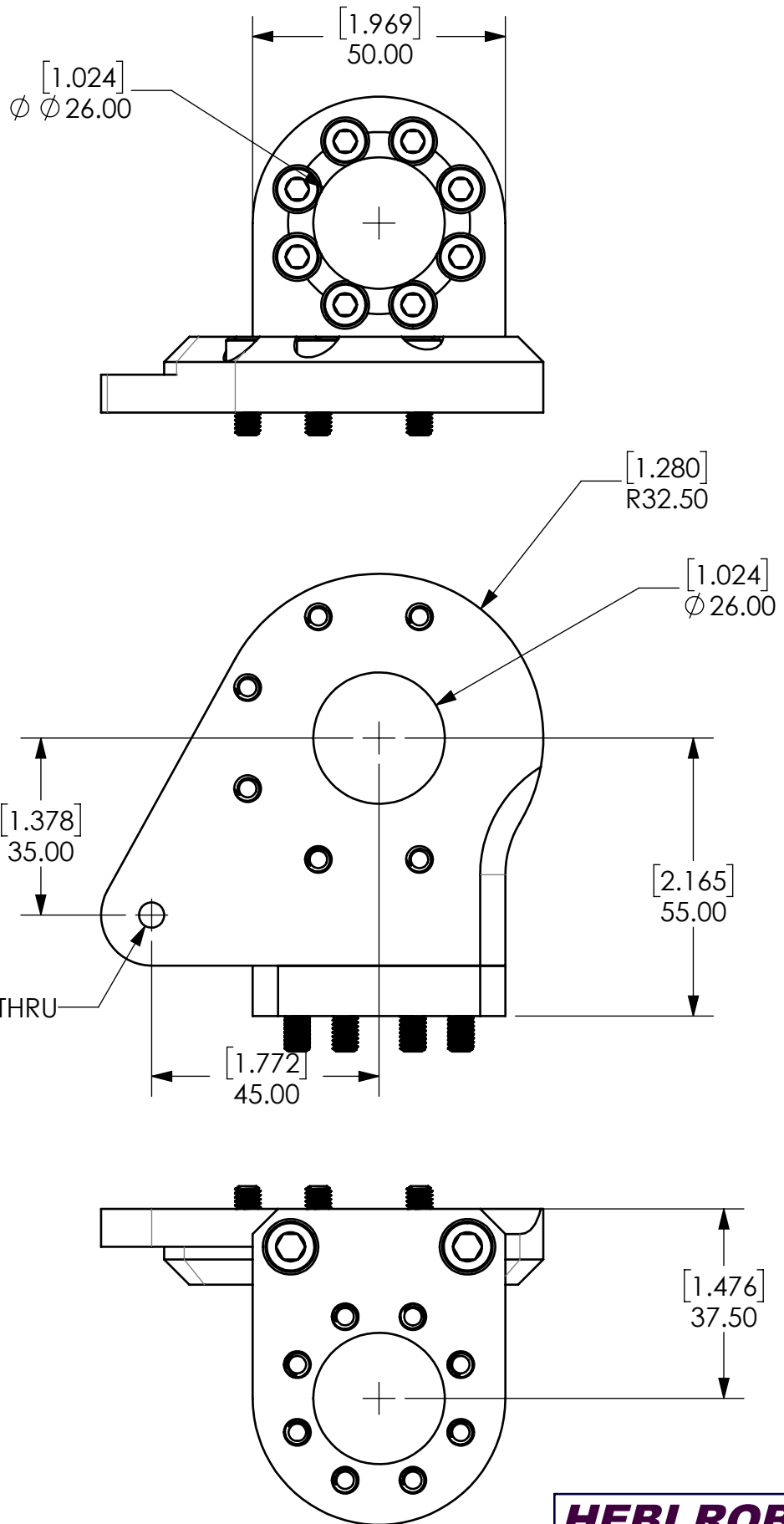
A

D

C

B

A



THE INFORMATION CONTAINED IN THIS DRAWING IS THE SOLE PROPERTY OF HEBI ROBOTICS, INC. ANY REPRODUCTION IN PART OR WHOLE WITHOUT WRITTEN PERMISSION IS PROHIBITED.

**HEBI ROBOTICS, INC.**  
 9143rd St, Suite 200  
 Pittsburgh, PA 15201

SIZE <b>B</b>	<b>A-2040-01L</b>	REV <b>A.03</b>	VER
SCALE: <b>1:1.25</b>	SHEET <b>3</b> OF <b>4</b>		

6

5

4

3

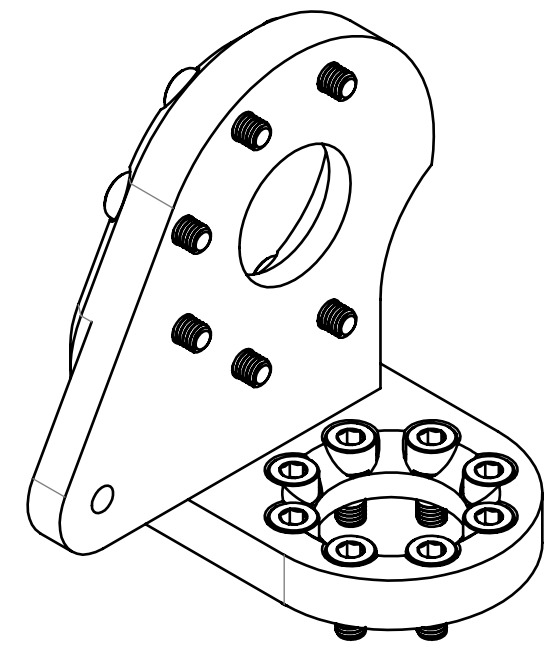
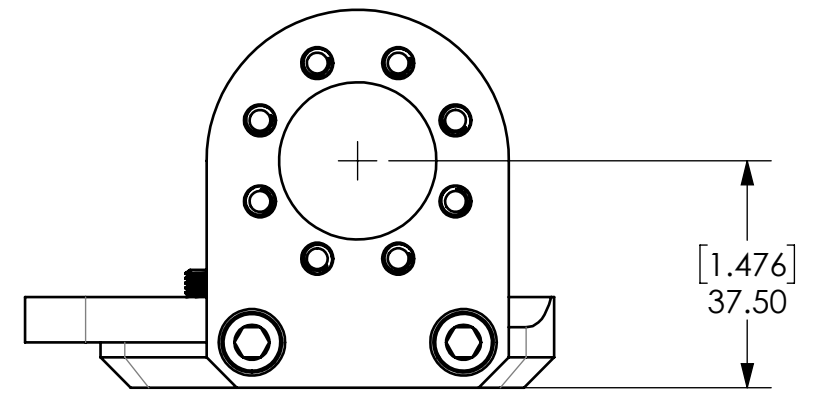
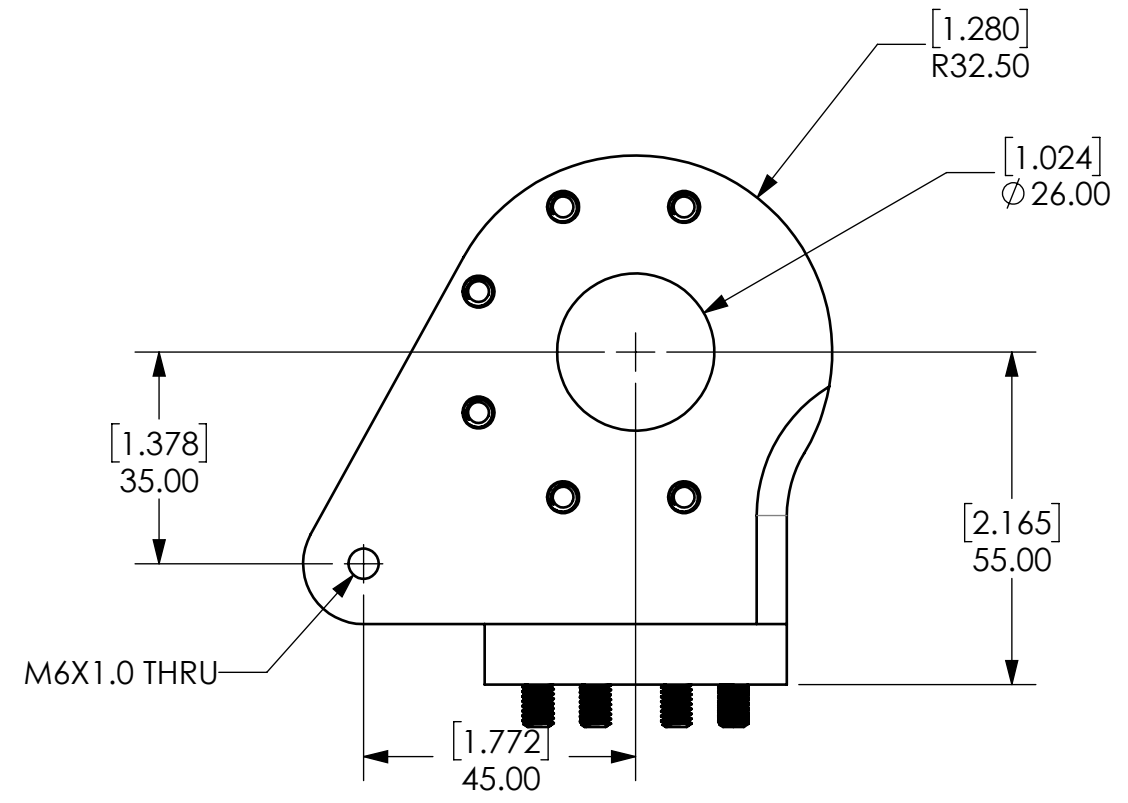
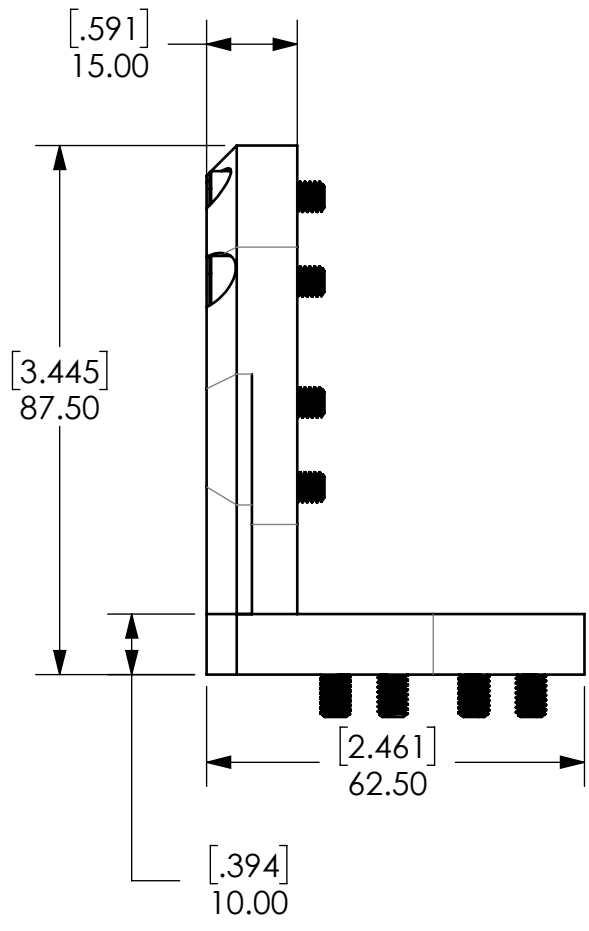
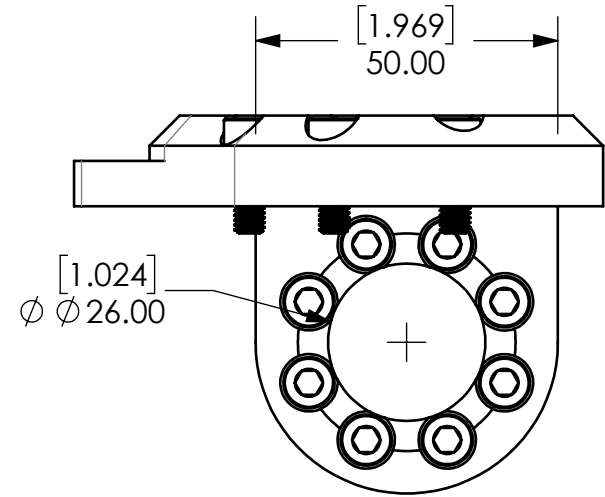
2

1

**LEFT-INSIDE**

D  
C  
B  
A

D  
C  
B  
A



THE INFORMATION CONTAINED IN THIS DRAWING IS THE SOLE PROPERTY OF HEBI ROBOTICS, INC. ANY REPRODUCTION IN PART OR WHOLE WITHOUT WRITTEN PERMISSION IS PROHIBITED.

**HEBI ROBOTICS, INC.**  
9143rd St, Suite 200  
Pittsburgh, PA 15201

SIZE <b>B</b>	<b>A-2040-01L</b>	REV <b>A.03</b>	VER
SCALE: <b>1:1.25</b>	SHEET <b>4</b>	OF	<b>4</b>

6 5 4 3 2 1