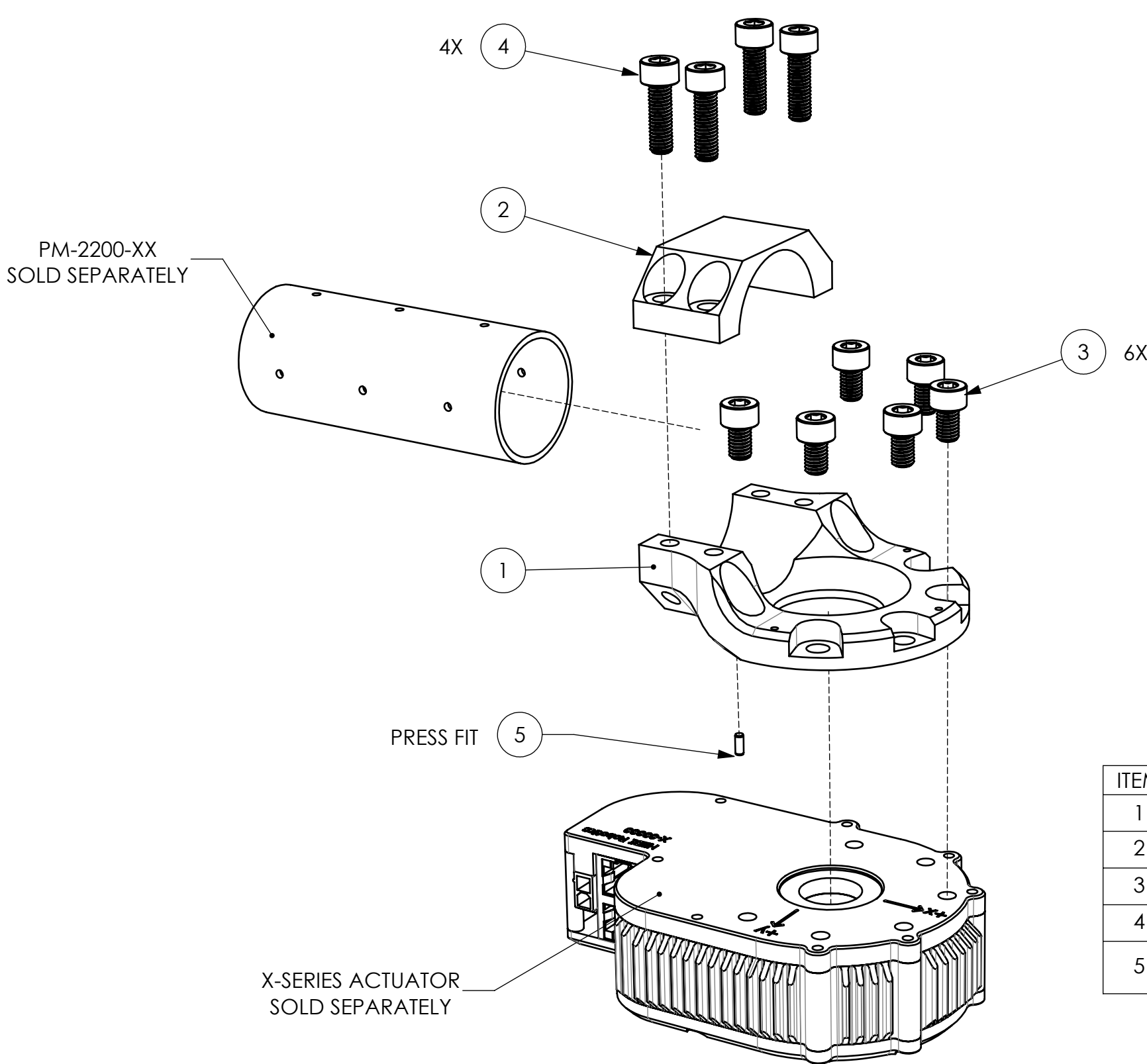


6 5 4 3 2 1

REVISIONS			
REV.	DESCRIPTION	DATE	APPROVED
A.01	INITIAL DRAFTING AND LAYOUT	3 MAY 2017	D ROLLINSON
A.02	UPDATED BOM WITH ONLY INCLUDED HARDWARE	24 AUG 2017	A WILLIG
A.03	UPDATED BOM AND NOTES. UPDATED WEIGHT TO INCLUDE FASTENERS.	1 SEP 2017	A WILLIG



ITEM	PART NUMBER	DESCRIPTION	QTY
1	PM-2147-02	HOUSING TUBE MOUNT	1
2	PM-2148-01	Tube Clamp	1
3	PP-2131-08	M5 SHCS, 8mm Length, Steel	6
4	PP-2131-16	M5 SHCS, 16mm Length, Steel	4
5	PP-2136-06	M2 Dowel Pin, 6mm Length, Stainless Steel	1

X-SERIES ACTUATOR  
SOLD SEPARATELY

NOTE: TOTAL WEIGHT EXCLUDES TUBE AND X-SERIES ACTUATOR (SEE CONFIGURATION ON SHEET 2)

THE INFORMATION CONTAINED IN THIS DRAWING IS THE SOLE PROPERTY OF HEBI ROBOTICS, INC. ANY REPRODUCTION IN PART OR WHOLE WITHOUT WRITTEN PERMISSION OF IS PROHIBITED.

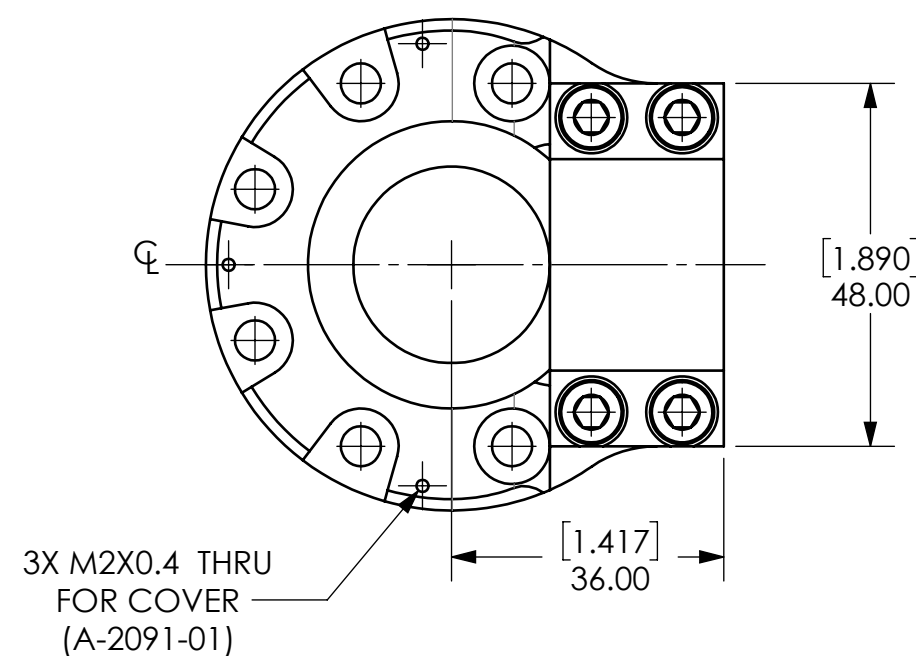
AUTHORIZATION		<b>HEBI ROBOTICS, INC.</b>	
DFTG: A. Schepelmann	4 Oct 2016	91 43rd St, Suite 200 Pittsburgh, PA 15201	
DSGMR:		PROJECT: X-Series Accessories	
CHKR:		1.25" Tube Adapter – Housing	
ENGR:			
UNLESS OTHERWISE SPECIFIED DIMENSIONS ARE IN MM DO NOT SCALE DRAWING		SIZE <b>B</b>	REV <b>A.03</b>
TOLERANCES: X.X ±.30 X.XX ±.08 ANGLES ±1.00°		SCALE: 1:1	VER
		WEIGHT: 110.84 G	SHEET 1 OF 2
FILE NAME: A-2039-02.SLDDRW			

6 5 4 3 2 1

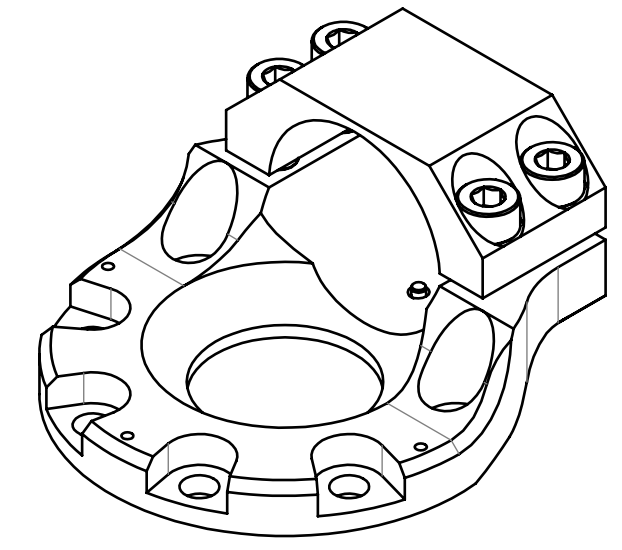
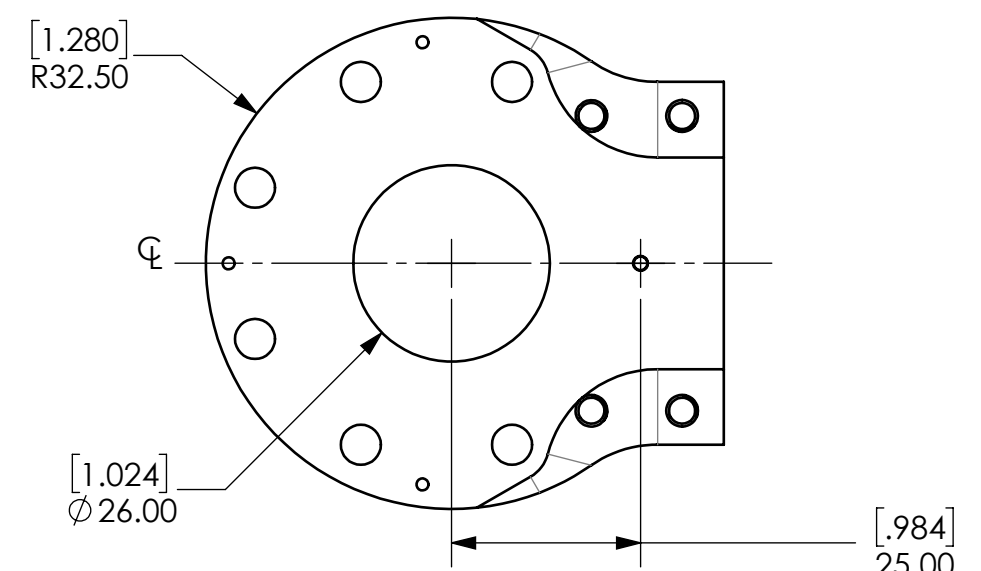
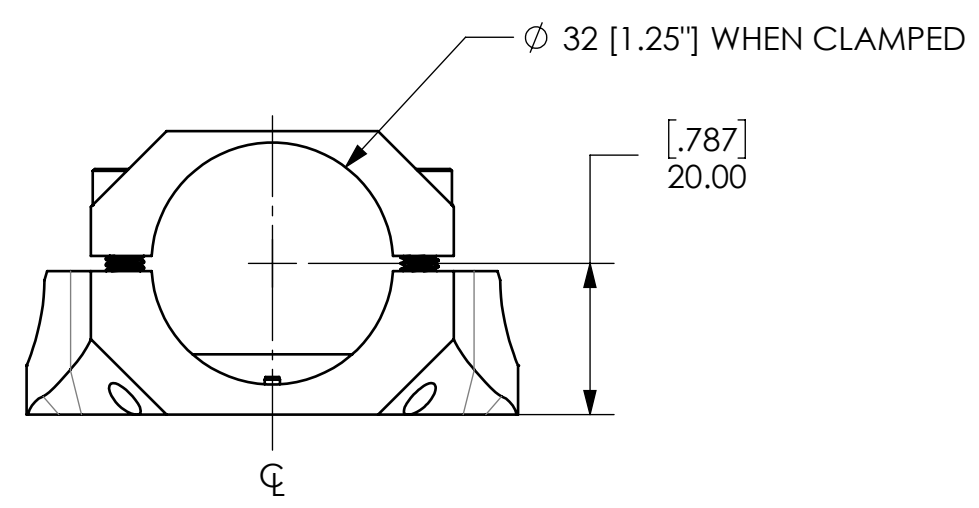
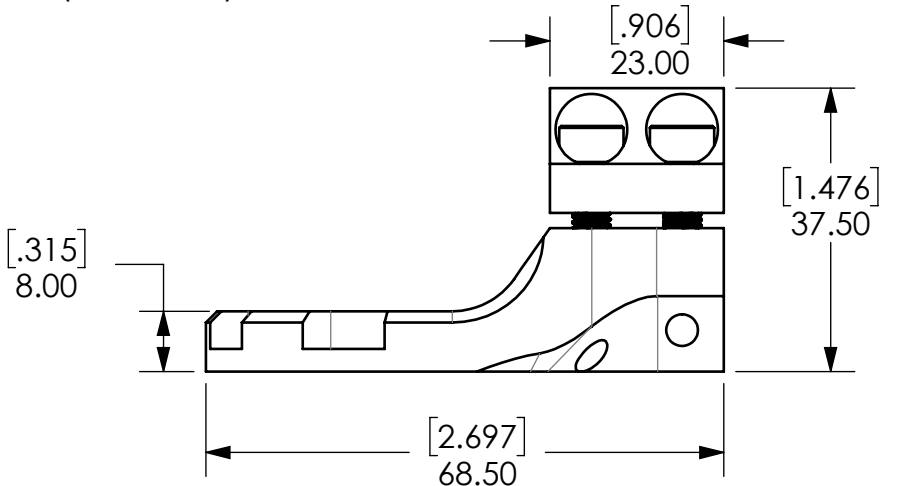
6 5 4 3 2 1

D  
C  
B  
A

D  
C  
B  
A



3X M2X0.4 THRU FOR COVER (A-2091-01)



THE INFORMATION CONTAINED IN THIS DRAWING IS THE SOLE PROPERTY OF HEBI ROBOTICS, INC. ANY REPRODUCTION IN PART OR WHOLE WITHOUT WRITTEN PERMISSION IS PROHIBITED.

**HEBI ROBOTICS, INC.**  
9143rd St, Suite 200  
Pittsburgh, PA 15201

SIZE <b>B</b>	<b>A-2039-02</b>	REV <b>A.03</b>	VER
SCALE: <b>1:1</b>		SHEET <b>2</b>	OF <b>2</b>

6 5 4 3 2 1