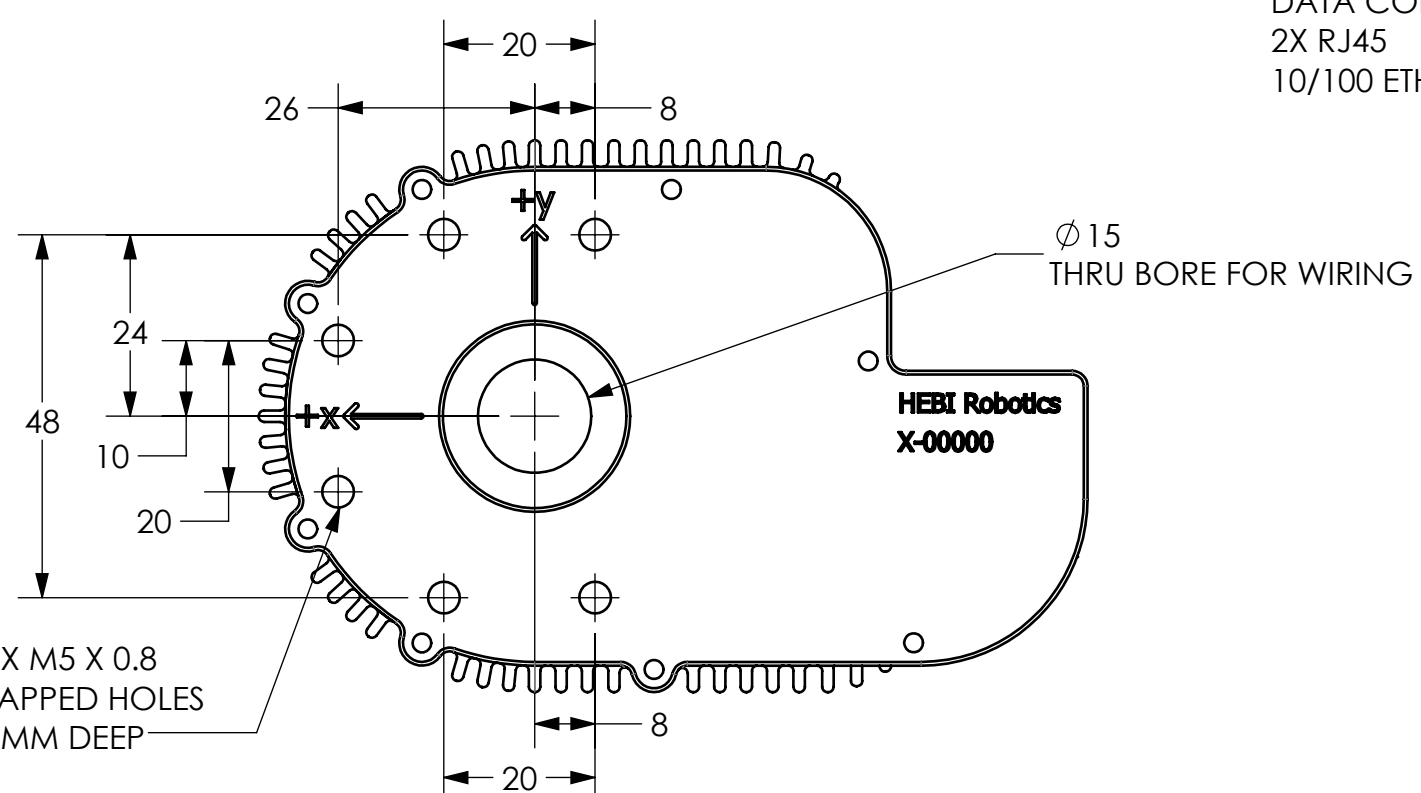
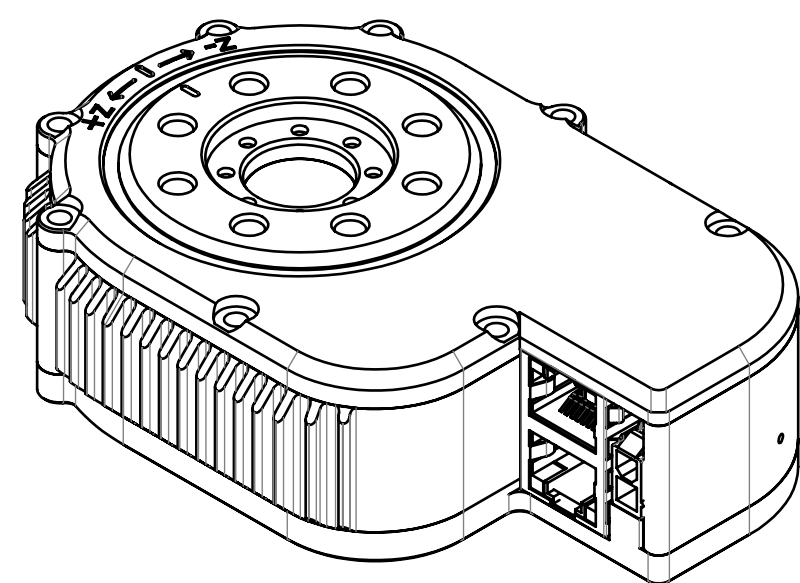
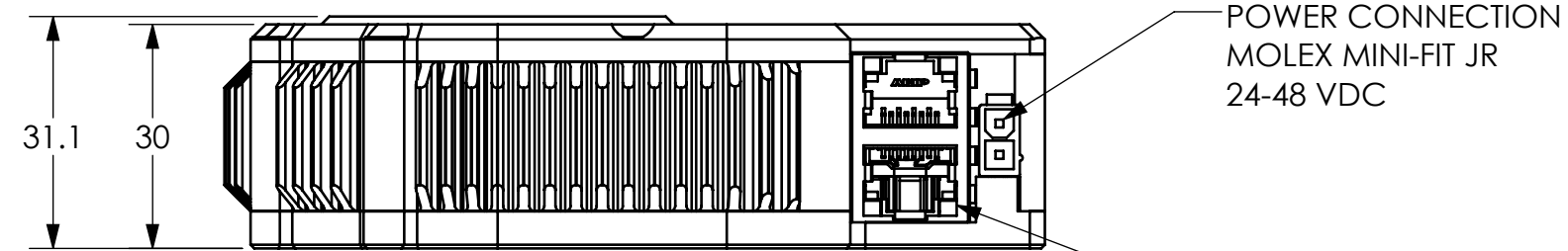
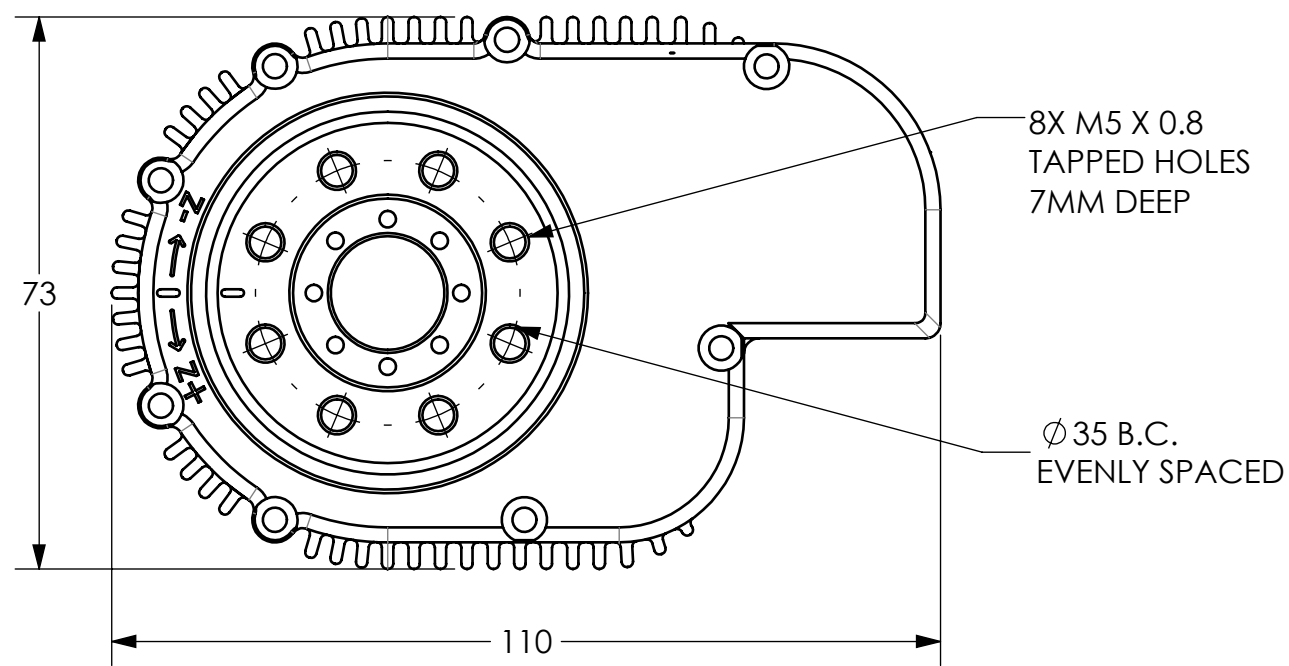


REVISIONS			
REV.	DESCRIPTION	DATE	APPROVED
A.01	INITIAL DRAFTING AND LAYOUT.	16 MAR 2016	D ROLLINSON
A.02	ADDED MISSING DIMS ON BOTTOM VIEW	23 MAY 2016	D ROLLINSON



THE INFORMATION CONTAINED IN THIS DRAWING IS THE SOLE PROPERTY OF HEBI ROBOTICS, INC. ANY REPRODUCTION IN PART OR WHOLE WITHOUT WRITTEN PERMISSION IS PROHIBITED.

UNLESS OTHERWISE SPECIFIED DIMENSIONS ARE IN MM	AUTHORIZATION		HEBI ROBOTICS, INC.	
DO NOT SCALE DRAWING	DFTG:	5001 Baum Blvd, Suite 780 Pittsburgh, PA 15213		
TOLERANCES: X.X ±.40 X.XX ±.08 ANGLES ±0.50°	DSGNR:	PROJECT: Templates		
SURFACE TEXTURE 64	CHKR:	Part Template		
REMOVE ALL BURRS AND BREAK ALL SHARP EDGES TO 0.3 MM MAX	ENGR:	SIZE B X 5-Dimensions		
CAD GENERATED DRAWING, DO NOT MANUALLY UPDATE	MATERIAL:	REV A.02		VER
INTERNAL MODEL REV: A.01	TREATMENT:	SCALE: 1:1	WEIGHT: 441.623 G	SHEET 1 OF 1

FILE NAME: X5-Dimensions.SLDDRW